

ASAHI/AMERICA

EFFECTIVE: 07/1/15

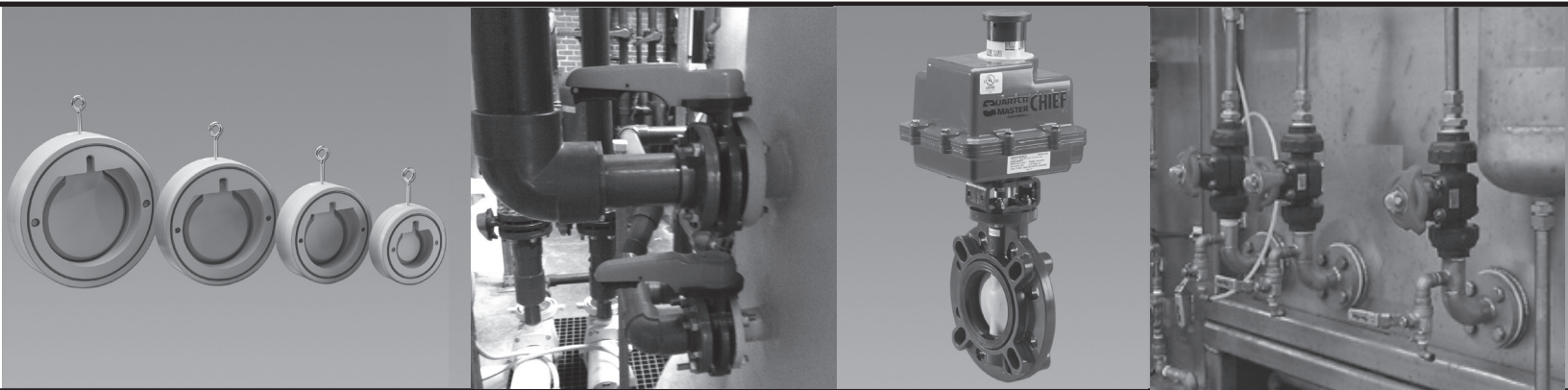
SUBJECT TO CHANGE WITHOUT NOTICE

A _____
B _____
C _____
F _____
FP _____
M _____
SP _____

Thermoplastic Valves & Actuators

List Price Sheet

#50A



**Another
Corrosion
Problem
Solved.™**



www.asahi-america.com

Ball Valves - Type-21 PVC..... Page 4
 Type-21 CPVC..... Page 5
 Type-21 Polypropylene (PP)..... Page 6
 Type-21 PVDF..... Page 7
 Type-21 Ball Valve for Sodium Hypochlorite..... Page 8
 Omni® & Labcocks® Page 10
 Electromni® Page 11
 Ball Valve Options - Locking Handles, O-Ring Seals, Spring Returns, Operating Nuts, Vent Hole..... Page 12
 Limit Switches, Stem Extensions..... Page 13
 Panel Mounts, Tags, Clean & Bag..... Page 16
 Actuated Ball Valves - Type-21 with Electric Actuator..... Page 18
 Type-21 with Pneumatic Actuator..... Page 19
 Multiport® Ball Valves - Type-23 PVC..... Page 20
 Type-23 CPVC..... Page 21
 Type-23 Polypropylene (PP) & PVDF..... Page 22
 Multiport® Options - Locking Handles, O-Ring Seals, Operating Nuts, Limit Switches..... Page 23
 Stem Extensions, Panel Mounts..... Page 26
 Flow Direction Charts & Options..... Page 29
 Actuated Multiport® Ball Valves - Type-23 with Electric Actuation..... Page 31
 Type-23 with Pneumatic Actuation..... Page 32
 Butterfly Valves - Butterfly Table of Contents..... Page 33
 Type-57 Lever PVC/PP, PVC/PVC, PVC/PVDF..... Page 34
 Type-57 Lever PVC/CPVC..... Page 35
 Type-57 Lever PP/PP, PP/PVC, PVDF/PVDF..... Page 36
 Type-57 Gear PVC/PP, PVC/PVC, PVC/PVDF..... Page 37
 Type-57 Gear PP/PP, PP/PVC..... Page 38
 Type-57 Gear PVDF/PVDF..... Page 39
 Type-57 Isolator Lug PVC/PP..... Page 40
 Type-57 Isolator Lug PVC/PVC..... Page 41
 Type-57 Isolator Lug PVC/PVDF..... Page 42
 Type-57 Lug Lever PP/PP, PP/PVDF..... Page 43
 Type-57 Lug Gear PVDF/PVDF Page 44
 Type-57 Isolator Lug PVC/PP Page 45
 Type-57 Isolator Lug PVC/PVC..... Page 46
 Type-57 Isolator Lug PVC/PVDF..... Page 47
 Type-57 Lug Gear PP/PP..... Page 48
 Type-57 Lug Gear PP/PVDF..... Page 49
 Type-57 Lug Gear PVDF/PVDF..... Page 53
 Type-57 LIS Wafer/Lug Lever..... Page 57
 Type-57 LIS Wafer/Lug Gear..... Page 58
 Special Application Butterfly Valves - Type SP Pool-Pro®, Type-55, Type-56D/75D..... Page 59
 PDCPD..... Page 60
 Butterfly Valve Options - Stems & Locking Devices..... Page 61
 Operating Nuts, Chain Operators, Limit Switches..... Page 63
 Stem Extensions Page 66
 Actuated Butterfly Valves - Electric Actuated..... Page 67
 Pneumatic Actuated..... Page 68

Fast Packs - Type-21 PVC/CPV Ball valves w/Series 83 Electric Actuator..... Page 69
 Type-21 PVC Ball Valves w/ Series 92 & 94 Actuator.....Page 70
 Type-21 PVC Ball Valves w/ Series 79 Actuator..... Page 71
 Type-21 CPVC Ball Valves w/ Series 92 & 94 Actuator..... Page 72
 Type-21 CPVC Ball Valves w/ Series 79 Actuator..... Page 73
 Type-57 Butterfly Valves w/ Series 92 & 94 Actuator..... Page 74
 Type-57 Butterfly Valves w/ Series 79 Actuator..... Page 75

Diaphragm Valves - Type-14 PVC & CPVC.....Page 76
 Type-14 PP & PVDF.....Page 77
 Type-14 Fig. PVC/PVC, CPVC/PP & PP/PP.....Page 78
 Type-14 Fig PVDF.....Page 79

Diaphragm Valve Options - Locking Handles, Operating Nuts..... Page 80
 Optional Diaphragms EPDM, Teflon & Nitrile.....Page 81
 Stem Extensions.....Page 82

Actuated Diaphragm Valves - Pneumatically Actuated A-A/A-S PVC/PPG, CPVC/PPG..... Page 84
 Pneumatically Actuated A-A/A-S PP/PPG..... Page 85
 Pneumatically Actuated A-A/A-S PVDF/PPG.....Page 86
 Pneumatically Actuated A-A/A-S PVC/PPG, CPVC/PPG.....Page 87
 Pneumatically Actuated A-A/A-S PP/PPG, PVDF/PPG.....Page 88
 Century Actuators.....Page 90

Ball Check Valves - PVC, CPVC Page 91
 Polypropylene (PP)/EPDM, PP/FKM..... Page 92
 PVDF/FKM.....Page 93

Foot Valves Page 94
 Foot Valve Screens Page 95

Check Valve Options - Seal Kits - PVC, CPVC & PP..... Page 96
 Seal Kits - PVDF, Teflon/FKM & Springs.....Page 97

Swing Check Valves - HI-PVC, PP, PVDF..... Page 98
 Options - Seal Kits, Lever & Weights & Springs.....Page 99
 Hardware Options.....Page 100

Wafer Check Valves.....Page 101

Gate Valves - HI-PVC.....Page 102
 Operating Nuts & Electrically Actuated & Stem Extensions.....Page 103
 Stem Extensions continued.....Page 104

Sediment Strainers & Screens Page 105

Globe Valves - PVC.....Page 106
 PP.....Page 107

Constant Flow Valves Page 108

Pressure Relief Valves.....Page 109

Actuated Globe Control Valves.....Page 110

AV GasketsPage 111

Frank Series Regulators.....Page 112



1/2"-2"
Socket/Thd Combo



2-1/2"-6"
Socket



2-1/2"-6"
Threaded



1/2"-6"
Flanged



Certified to
NSF/ANSI 61

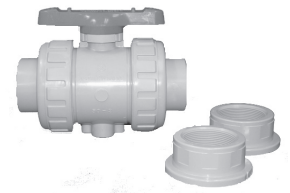
PVC Type-21 Ball Valves - True-Union					
Size	PVC Type-21 Ball Valves	EPDM O-Rings		FKM O-Rings	
		Part Number	List Price	Part Number	List Price
1/2"	Socket/Threaded Combo	1601005	62.00	1605005	67.00
3/4"	Socket/Threaded Combo	1601007	74.00	1605007	83.00
1"	Socket/Threaded Combo	1601010	86.00	1605010	98.00
1-1/4"	Socket/Threaded Combo	1601012	115.00	1605012	132.00
1-1/2"	Socket/Threaded Combo	1601015	142.00	1605015	161.00
2"	Socket/Threaded Combo	1601020	191.00	1605020	211.00
2-1/2"	Socket	1602025	422.00	1606025	497.00
2-1/2"	Threaded	1603025	422.00	1607025	497.00
3"	Socket	1602030	434.00	1606030	511.00
3"	Threaded	1603030	434.00	1607030	511.00
4"	Socket	1602040	765.00	1606040	865.00
4"	Threaded	1603040	765.00	1607040	865.00
6"	Socket	1602060	1867.00	1606060	2026.00
6"	Threaded	1603060	1867.00	1607060	2026.00
Discount Code			F	F	

PVC Type-21 Ball Valves - Flanged					
Size	PVC Type-21 Ball Valves	EPDM O-Rings		FKM O-Rings	
		Part Number	List Price	Part Number	List Price
1/2"	Flanged	1604005	88.00	1608005	102.00
3/4"	Flanged	1604007	99.00	1608007	109.00
1"	Flanged	1604010	131.00	1608010	146.00
1-1/4"	Flanged	1604012	211.00	1608012	239.00
1-1/2"	Flanged	1604015	244.00	1608015	258.00
2"	Flanged	1604020	349.00	1608020	363.00
2-1/2"	Flanged	1604025	464.00	1608025	555.00
3"	Flanged	1604030	626.00	1608030	697.00
4"	Flanged	1604040	1036.00	1608040	1125.00
6"	Flanged	1604060	1510.00	1608060	1595.00
Discount Code			A	A	

1. All PVC Type-21 ball valves are - NSF-61 approved.
2. 1/2" - 3" PVC Type-21 ball valves rated to 230 psi, 4" - 6" rated to 150 psi (socket & thread).
3. 1/2" - 6" rated to 150 psi (flanged).
4. All 6" valves are 4" bodies venturied to 6" end connections and are not full port 6".

Ball Valves

CPVC Type-21 Ball Valves - True-Union					
Size	CPVC Type-21 Ball Valves	EPDM O-Rings		FKM O-Rings	
		Part Number	List Price	Part Number	List Price
1/2"	Socket/Threaded Combo	1609005	89.00	1613005	95.00
3/4"	Socket/Threaded Combo	1609007	111.00	1613007	117.00
1"	Socket/Threaded Combo	1609010	138.00	1613010	146.00
1-1/4"	Socket/Threaded Combo	1609012	191.00	1613012	202.00
1-1/2"	Socket/Threaded Combo	1609015	228.00	1613015	242.00
2"	Socket/Threaded Combo	1609020	313.00	1613020	330.00
2-1/2"	Socket	1610025	869.00	1614025	923.00
2-1/2"	Threaded	1611025	869.00	1615025	923.00
3"	Socket	1610030	896.00	1614030	954.00
3"	Threaded	1611030	896.00	1615030	954.00
4"	Socket	1610040	1537.00	1614040	1635.00
4"	Threaded	1611040	1537.00	1615040	1635.00
6"	Socket	1610060	2692.00	1614060	3014.00
6"	Threaded	1611060	2692.00	1615060	3014.00
Discount Code			F	F	



1/2"-2"
Socket/Thd Combo



2-1/2"-6"
Socket



2-1/2"-6"
Threaded

CPVC Type-21 Ball Valves - Flanged					
Size	CPVC Type-21 Ball Valves	EPDM O-Rings		FKM O-Rings	
		Part Number	List Price	Part Number	List Price
1/2"	Flanged	1612005	127.00	1616005	136.00
3/4"	Flanged	1612007	146.00	1616007	160.00
1"	Flanged	1612010	192.00	1616010	209.00
1-1/4"	Flanged	1612012	311.00	1616012	338.00
1-1/2"	Flanged	1612015	375.00	1616015	391.00
2"	Flanged	1612020	515.00	1616020	534.00
2-1/2"	Flanged	1612025	625.00	1616025	713.00
3"	Flanged	1612030	890.00	1616030	1122.00
4"	Flanged	1612040	1721.00	1616040	1813.00
6"	Flanged	1612060	2616.00	1616060	2702.00
Discount Code			A	A	



1/2"-6"
Flanged

1. 1/2" - 3" CPVC Type-21 ball valves rated to 230 psi, 4" - 6" rated to 150 psi (socket & thread).
2. 1/2" - 6" rated to 150 psi (flanged).
3. All 6" valves are 4" bodies venturied to 6" end connections and are not full port 6".

Ball Valves



DIN/IPS Socket



Threaded



Butt



Flanged

Ball Valves

Polypropylene Type-21 Ball Valves - True-Union						
Size	PP Type-21 Ball Valves	DIN Socket	IPS Socket	Threaded	Butt	List Price
		Part Number	Part Number	Part Number	Part Number	
1/2"	EPDM O-Rings	1638005	1618005	1619005	1620005	64.00
3/4"	EPDM O-Rings	1638007	1618007	1619007	1620007	81.00
1"	EPDM O-Rings	1638010	1618010	1619010	1620010	97.00
1-1/4"	EPDM O-Rings	1638012	1618012	1619012	1620012	140.00
1-1/2"	EPDM O-Rings	1638015	1618015	1619015	1620015	161.00
2"	EPDM O-Rings	1638020	1618020	1619020	1620020	217.00
2-1/2"	EPDM O-Rings	1638025	1618025	1619025	1620025	442.00
3"	EPDM O-Rings	1638030	1618030	1619030	1620030	574.00
4"	EPDM O-Rings	1638040	1618040	1619040	1620040	956.00
Discount Code						B

Polypropylene Type-21 Ball Valves - True-Union						
Size	PP Type-21 Ball Valves	DIN Socket	IPS Socket	Threaded	Butt	List Price
		Part Number	Part Number	Part Number	Part Number	
1/2"	FKM O-Rings	1652005	1622005	1623005	1624005	76.00
3/4"	FKM O-Rings	1652007	1622007	1623007	1624007	91.00
1"	FKM O-Rings	1652010	1622010	1623010	1624010	108.00
1-1/4"	FKM O-Rings	1652012	1622012	1623012	1624012	159.00
1-1/2"	FKM O-Rings	1652015	1622015	1623015	1624015	182.00
2"	FKM O-Rings	1652020	1622020	1623020	1624020	247.00
2-1/2"	FKM O-Rings	1652025	1622025	1623025	1624025	503.00
3"	FKM O-Rings	1652030	1622030	1623030	1624030	654.00
4"	FKM O-Rings	1652040	1622040	1623040	1624040	1087.00
Discount Code						B

Polypropylene Type-21 Ball Valves - Flanged					
Size	PP Type-21 Ball Valves	EPDM O-Rings		FKM O-Rings	
		Part Number	List Price	Part Number	List Price
1/2"	Flanged	1621005	127.00	1625005	145.00
3/4"	Flanged	1621007	149.00	1625007	171.00
1"	Flanged	1621010	192.00	1625010	219.00
1-1/4"	Flanged	1621012	360.00	1625012	410.00
1-1/2"	Flanged	1621015	500.00	1625015	568.00
2"	Flanged	1621020	500.00	1625020	568.00
2-1/2"	Flanged	1621025	657.00	1625025	747.00
3"	Flanged	1621030	915.00	1625030	1038.00
4"	Flanged	1621040	1342.00	1625040	1525.00
6"	Flanged	1621060	5713.00	1625060	6340.00
Discount Code			B	B	

1. All PP Type-21 ball valves are rated to 150 psi.
2. All 6" valves are 4" bodies venturied to 6" end connections and are not full port 6".

PVDF Type-21 Ball Valves - True-Union						
Size	PVDF Type-21 Ball Valves	DIN Socket	IPS Socket	Threaded	Butt	List Price
		Part Number	Part Number	Part Number	Part Number	
1/2"	FKM O-Rings	1666005	1626005	1627005	1628005	197.00
3/4"	FKM O-Rings	1666007	1626007	1627007	1628007	263.00
1"	FKM O-Rings	1666010	1626010	1627010	1628010	382.00
1-1/4"	FKM O-Rings	1666012	1626012	1627012	1628012	449.00
1-1/2"	FKM O-Rings	1666015	1626015	1627015	1628015	659.00
2"	FKM O-Rings	1666020	1626020	1627020	1628020	890.00
2-1/2"	FKM O-Rings	1666025	1626025	1627025	1628025	1639.00
3"	FKM O-Rings	1666030	1626030	1627030	1628030	2252.00
4"	FKM O-Rings	1666040	1626040	1627040	1628040	5513.00
Discount Code						B



DIN/IPS Socket



Threaded



Butt



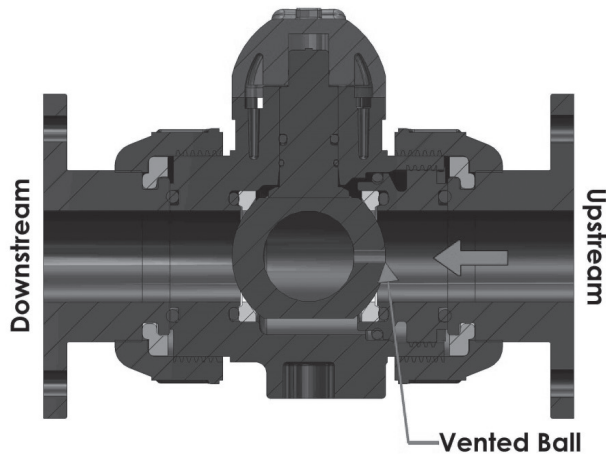
Flanged

PVDF Type-21 Ball Valves - Flanged			
Size	PVDF Type-21 Ball Valves	FKM O-Rings	
		Part Number	List Price
1/2"	Flanged	1629005	408.00
3/4"	Flanged	1629007	522.00
1"	Flanged	1629010	733.00
1-1/4"	Flanged	1629012	866.00
1-1/2"	Flanged	1629015	1071.00
2"	Flanged	1629020	1458.00
2-1/2"	Flanged	1629025	2470.00
3"	Flanged	1629030	3174.00
4"	Flanged	1629040	6090.00
6"	Flanged	1629060	8393.00
Discount Code			B

- 1/2" - 3" PVDF Type-21 ball valves rated to 230 psi, 4" - 6" rated to 150 psi (socket & thread).
- 1/2" - 6" rated to 150 psi (flanged).
- All 6" valves are 4" bodies venturied to 6" end connections and are not full port 6".

Ball Valves

Type-21/21a Ball Valves for use with Sodium Hypochlorite

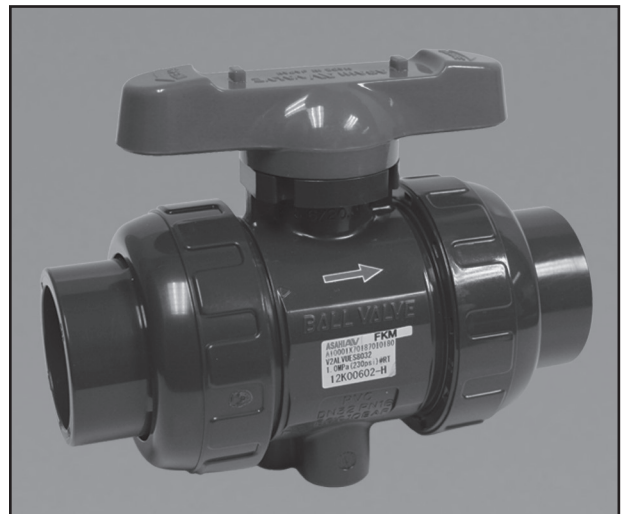


Standard Features

- PVC or CPVC construction valve
- FKM O-ring seals
- Flanged configuration eliminates all cemented joints
- Alternately, the valve can be equipped with Chem Proline® end connectors for use in Asahi/America's piping material of choice for sodium hypochlorite service – Consult Sales or Engineering to learn more about Chem Proline® piping systems
- Supported up to a 20% concentration of sodium hypochlorite

The Type-21/21a ball valve can be factory equipped with a 1/8" vent hole for sodium hypochlorite applications.

When a ball valve is closed, fluid gets trapped in the cavity of the ball. If the valve is not frequently operated, this trapped fluid begins to age and break down. As sodium hypochlorite breaks down, it begins to off-gas. This can create pressure in the cavity of the ball, which can lead to valve failure and can be a safety hazard. By adding the vent hole, the fluid that would have been trapped is now maintained by the upstream process fluid when the valve is in the closed position. This modification provides for longer valve life and safer operation.



Type-21 /21α Ball Valves for use with Sodium Hypochlorite

Vented Ball Valves			
PVC BODY			
Size	Description	Part Number	List Price
1/2"	PVC/FKM T-21 Ball Valve Socket/Threaded w/1/8" Vent hole	111605005	67.00
3/4"	PVC/FKM T-21 Ball Valve Socket/Threaded w/1/8" Vent hole	111605007	77.00
1"	PVC/FKM T-21 Ball Valve Socket/Threaded w/1/8" Vent hole	111605010	86.00
1-1/4"	PVC/FKM T-21 Ball Valve Socket/Threaded w/1/8" Vent hole	111605012	107.00
1-1/2"	PVC/FKM T-21 Ball Valve Socket/Threaded w/1/8" Vent hole	111605015	126.00
2"	PVC/FKM T-21 Ball Valve Socket/Threaded w/1/8" Vent hole	111605020	157.00
2-1/2"	PVC/FKM T-21 Ball Valve Socket w/1/8" Vent hole	111605025	265.00
3"	PVC/FKM T-21 Ball Valve Socket w/1/8" Vent hole	111605030	347.00
4"	PVC/FKM T-21 Ball Valve Socket w/1/8" Vent hole	111605040	571.00
6"	PVC/FKM T-21 Ball Valve Socket w/1/8" Vent hole	111605060	1301.00
Discount Code			A
CPVC BODY			
Size	Description	Part Number	List Price
1/2"	CPVC/FKM T-21 Ball Valve Socket/Threaded w/1/8" Vent hole	111605005	84.00
3/4"	CPVC/FKM T-21 Ball Valve Socket/Threaded w/1/8" Vent hole	111605007	98.00
1"	CPVC/FKM T-21 Ball Valve Socket/Threaded w/1/8" Vent hole	111605010	116.00
1-1/4"	CPVC/FKM T-21 Ball Valve Socket/Threaded w/1/8" Vent hole	111605012	152.00
1-1/2"	CPVC/FKM T-21 Ball Valve Socket/Threaded w/1/8" Vent hole	111605015	176.00
2"	CPVC/FKM T-21 Ball Valve Socket/Threaded w/1/8" Vent hole	111605020	233.00
2-1/2"	CPVC/FKM T-21 Ball Valve Socket w/1/8" Vent hole	111605025	612.00
3"	CPVC/FKM T-21 Ball Valve Socket w/1/8" Vent hole	111605030	627.00
4"	CPVC/FKM T-21 Ball Valve Socket w/1/8" Vent hole	111605040	1071.00
6"	CPVC/FKM T-21 Ball Valve Socket w/1/8" Vent hole	111605060	1938.00
Discount Code			A



PVC Socket



PVC Threaded



CPVC Socket



CPVC Threaded



Hose x Hose



Male x Hose



Female x Hose



Male x Male



Female x Female



Male x Female



Male x 90 Elbow

Ball Valves

PVC Omni® Compact Ball Valves					
Size	PVC Omni Ball Valve	Socket	Threaded	Box Quantity	List Price
		Part Number	Part Number		
3/8"	PVC/EPDM	1070003	1071003	30	30.00
1/2"	PVC/EPDM	1070005	1071005	30	30.00
3/4"	PVC/EPDM	1070007	1071007	20	30.00
1"	PVC/EPDM	1070010	1071010	20	40.00
1-1/4"	PVC/EPDM	1070012	1071012	20	52.00
1-1/2"	PVC/EPDM	1070015	1071015	10	67.00
2"	PVC/EPDM	1070020	1071020	10	90.00
Discount Code					F

1. All PVC Omni ball valves are - NSF-61 approved.
2. Omni ball valves available in box quantities.

CPVC Omni® Compact Ball Valves					
Size	CPVC Omni Ball Valve	Socket	Threaded	Box Quantity	List Price
		Part Number	Part Number		
3/8"	CPVC/EPDM	1072003	1073003	30	48.00
1/2"	CPVC/EPDM	1072005	1073005	30	48.00
3/4"	CPVC/EPDM	1072007	1073007	20	70.00
1"	CPVC/EPDM	1072010	1073010	20	87.00
1-1/4"	CPVC/EPDM	1072012	1073012	20	166.00
1-1/2"	CPVC/EPDM	1072015	1073015	10	166.00
2"	CPVC/EPDM	1072020	1073020	10	220.00
Discount Code					F

1. Omni ball valves available in box quantities.
- * 3" Omni PVC & CPVC Omnis have been discontinued. Please consult factory for availability.

Labcock® Ball Valves				
Size	PVC/ EPDM Labcock Ball Valves	Part Number	Box Quantity	List Price
1/4"	Hose x Hose	1079002	25	30.00
1/4"	Male Thread x Hose	1078002	25	30.00
1/4"	Female Thread x Hose	1082002	25	30.00
1/4"	Male Thread x Male Thread	1077002	25	30.00
1/4"	Female Thread x Female Thread	1076002	25	30.00
1/4"	Male Thread x Female Thread	1080002	25	30.00
1/4"	Male Thread x Elbow	1089002	25	30.00
Discount Code				F

1. All PVC Labcock ball valves are - NSF-61 approved.
2. Labcock ball valves available in box quantities.



Certified to NSF/ANSI 61

Size	PVDF-HP Sampling Ball Valve	Part Number	Box Quantity	List Price
1/4"	Npt w/ Nipple, Hose Barb and Thread plug	1068003	N/A	68.00
Discount Code				A

Please Note: Picture not shown.

PVC Electromni®				
Size	PVC Electromni® 115 VAC NEMA 4X	Socket	Threaded	List Price
		Part Number	Part Number	
3/8"	PVC/EPDM	2015003	2016003	272.00
1/2"	PVC/EPDM	2015005	2016005	272.00
3/4"	PVC/EPDM	2015007	2016007	280.00
1"	PVC/EPDM	2015010	2016010	286.00
1-1/4"	PVC/EPDM	2015012	2016012	294.00
1-1/2"	PVC/EPDM	2015015	2016015	305.00
2"	PVC/EPDM	2015020	2016020	316.00
Discount Code				C



Electromni®
w/ PVC Omni®
Ball Valve

Price Includes: Omni ball valve w/ EPDM O-Rings, Teflon seats, 115 VAC uni-directional motor, 5 second cycle time, and NEMA 4X enclosure.

CPVC Electromni®				
Size	CPVC Electromni® 115 Vac NEMA 4X	Socket	Threaded	List Price
		Part Number	Part Number	
3/8"	CPVC/EPDM	2017003	2018003	278.00
1/2"	CPVC/EPDM	2017005	2018005	278.00
3/4"	CPVC/EPDM	2017007	2018007	289.00
1"	CPVC/EPDM	2017010	2018010	302.00
1-1/4"	CPVC/EPDM	2017012	2018012	318.00
1-1/2"	CPVC/EPDM	2017015	2018015	328.00
2"	CPVC/EPDM	2017020	2018020	355.00
Discount Code				C



Electromni®
w/CPVC Omni®
Ball Valve

Price Includes: Omni ball valve w/ EPDM O-Rings, Teflon seats, 115 VAC uni-directional motor, 5 second cycle time, and NEMA 4X enclosure.

Electromni® Options (Factory Installed)	Part Number	List Price	Code
2 Position Indicating Lights	2101000	113.00	L2
2-Wire Control Relay	2102001	149.00	2W
Single Extra Limit Switch	2103100	76.00	M1
12 VDC Voltage Option	2104749	48.00	12D
24 VDC Voltage Option	2104750	48.00	24D
12 VAC Voltage Option	2104751	113.00	12A
24 VAC Voltage Option	2104752	113.00	24A
220 VAC Voltage Option	2104753	152.00	220
Discount Code		C	

1. All Electromni options must be factory installed.
2. 2-Wire control relay option may not be combined with single extra limit switch option.

Size	Vent Hole	Part Number	List Price	Option Code
1/8"	Vent Hole	1600018	24.00	V1
Discount Code			C	

Size	Optional O-Ring Seals	Part Number	List Price	Option Code
1/2"	Aflas® FA-100S O-Ring Kit	3300005	44.00	AFS
3/4"	Aflas® FA-100S O-Ring Kit	3300007	44.00	
1"	Aflas® FA-100S O-Ring Kit	3300010	50.00	
1-1/4"	Aflas® FA-100S O-Ring Kit	3300012	70.00	
1-1/2"	Aflas® FA-100S O-Ring Kit	3300015	70.00	
2"	Aflas® FA-100S O-Ring Kit	3300020	80.00	
2-1/2"	Aflas® FA-100S O-Ring Kit	3300025	171.00	
3"	Aflas® FA-100S O-Ring Kit	3300030	171.00	
4"	Aflas® FA-100S O-Ring Kit	3300040	217.00	
Discount Code			C	

Note: Kit prices shown are installed (add valve) or supplied as replacement parts.



Locking Handle

Size	Type-21 Locking Handle	Part Number	List Price	Option Code
1/2"	Trigger Style	3100005	17.00	G1
3/4"	Trigger Style	3100007	17.00	
1"	Trigger Style	3100010	17.00	
1-1/4"	Trigger Style	3100012	27.00	
1-1/2"	Trigger Style	3100015	27.00	
2"	Trigger Style	3100020	27.00	
2-1/2"	Trigger Style	3100025	44.00	
3"	Trigger Style	3100030	44.00	
4"	Trigger Style	3100040	59.00	
Discount Code			C	

Padlock not included. Handle shipped "loose" as kit for field installation.

Size	Spring Return Handle	Part Number	List Price	Option Code
1/2" - 2"	Handle	3045763	719.00	G2
Discount Code			C	



Square Operating Nut

Size	Operating Nuts	Part Number	List Price	Option Code
1/2"	2" Square Nut	3039005	102.00	N1
3/4" - 1"	2" Square Nut	3039010	102.00	
1-1/4"	2" Square Nut	3039012	102.00	
1-1/2" - 2"	2" Square Nut	3039020	102.00	
2-1/2" - 3"	2" Square Nut	3039030	102.00	
4"	2" Square Nut	3039040	102.00	
1/2"	T-Nut	3040005	222.00	N2
3/4" - 1"	T-Nut	3040010	222.00	
1-1/4"	T-Nut	3040012	222.00	
1-1/2" - 2"	T-Nut	3040020	222.00	
2-1/2" - 3"	T-Nut	3040030	222.00	
4"	T-Nut	3040040	222.00	
Discount Code			C	

Ball Valves

Size	Manual Limit Switch Kit	Part Number	List Price	Option Code
1/2"	P-Series NEMA 4X	2144005	563.00	G6
3/4" - 1"	P-Series NEMA 4X	2144010	563.00	
1-1/4"	P-Series NEMA 4X	2144012	563.00	
1-1/2" - 2"	P-Series NEMA 4X	2144020	620.00	
2-1/2"	P-Series NEMA 4X	2144025	797.00	
3"	P-Series NEMA 4X	2144030	797.00	
4"	P-Series NEMA 4X	2144040	797.00	G7
1/2"	Westlock NEMA 7	2115005	688.00	
3/4" - 1"	Westlock NEMA 7	2115010	688.00	
1-1/4"	Westlock NEMA 7	2115012	688.00	
1-1/2" - 2"	Westlock NEMA 7	2115020	748.00	
2-1/2"	Westlock NEMA 7	2115025	937.00	
3"	Westlock NEMA 7	2115030	937.00	937.00
4"	Westlock NEMA 7	2115040	937.00	
Discount Code			C	

Consists of 2 SPDT & switches, cams, beacon indicator; NEMA 4X or 7 enclosure factory mounting & test.

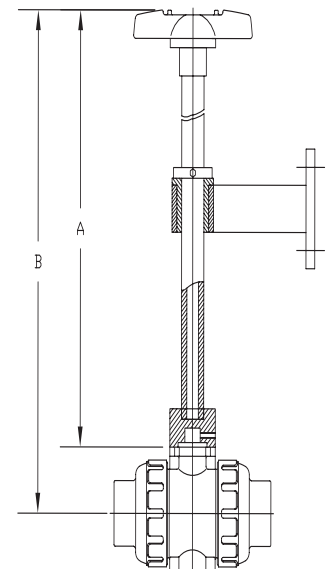


P-Series Limit Switch

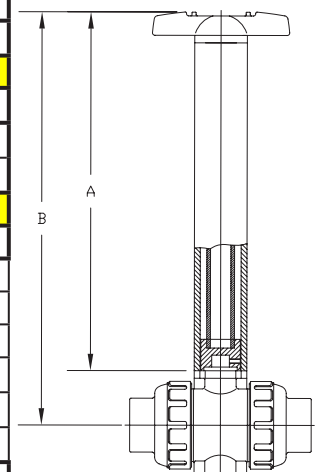


Westlock Limit Switch

Stem Extensions			
One Piece Stem Extension -Style BV-B	Part Number	List Price	Option Code
1st Ft	1st Ft		
Carbon Steel	1771000	396.00	E1
304 SS	1773000	456.00	E2
316 SS	1775000	500.00	E3
Add'l Ft	Add'l Ft		
Carbon Steel	1772000	61.00	E1
304 SS	1774000	74.00	E2
316 SS	1776000	98.00	E3
Dimension A or B (Circle) _____ FT _____ IN			
Discount Code			C
Two Piece Stem Extension -Style BV-A	Part Number	List Price	Option Code
1st Ft	1st Ft		
CS x PVC	1777000	672.00	E5
304 SS x PVC	1779000	676.00	E6
316 SS x PVC	1781000	720.00	E7
Add'l Ft	Add'l Ft		
CS x PVC	1778000	86.00	E5
304 SS x PVC	1780000	98.00	E6
316 SS x PVC	1782000	136.00	E7
Specify Dimension A or B _____ FT _____ IN			
Discount Code			C
Wall Support/Plate	Part Number	List Price	Option Code
Wall Support	3021000	218.00	WS
Wall/Floor Plate	3022000	211.00	WP
Discount Code			C
Two Piece Landfill Stem Extension -Style BV-A	Part Number	List Price	Option Code
1st Ft	1st Ft		
CS x CS	1787001	692.00	E8
316 SS x CS	3017001	1100.00	E10
Add'l Ft	Add'l Ft		
CS x CS	1788002	114.00	E8
316 SS x CS	3017002	167.00	E10
Specify Dimension A or B _____ FT _____ IN			
Discount Code			C



Style BV-B

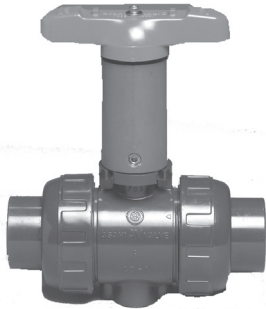


Style BV-A

Ball Valves



Stem Extension Kit



Panel Mount

Stem Extension Ends			
Size	Description	Part Number	List Price
1/2"	Type-21 stem extension ends kit	1000205	65.00
3/4" - 1"	Type-21 stem extension ends kit	1000210	65.00
1-1/4"	Type-21 stem extension ends kit	1000212	65.00
1-1/2" - 2"	Type-21 stem extension ends kit	1000220	65.00
Discount Code			C

Size	Panel Mount Stem Extension	Part Number	List Price	Option Code
1/2"	Panel Mount Type BV-P	3026005	85.00	E4
3/4"	Panel Mount Type BV-P	3026007	85.00	
1"	Panel Mount Type BV-P	3026010	85.00	
1-1/4"	Panel Mount Type BV-P	3026012	85.00	
1-1/2"	Panel Mount Type BV-P	3026015	85.00	
2"	Panel Mount Type BV-P	3026020	85.00	
2-1/2"	Panel Mount Type BV-P	3026025	120.00	
3"	Panel Mount Type BV-P	3026030	120.00	
Discount Code			C	

Type-21/21a Panel Mount Valve Inserts			
Size	SS Inserts	Part Number	List Price
1/2" - 1"	M5 X M8 X M10	1000163	10.00
1-1/4" - 2"	M6 X M10 X M14	1000164	15.00
Discount Code		C	

Note: Price is installed or stand alone per set.

Square Valve Tag	Part Number	List Price	Option Code
Stainless	3109000	16.00	T1
Plastic	6512147	16.00	T2
Paper	PAPERTAG	2.85	T3
Discount Code		C	

Clean & Bag	Part Number	List Price	Option Code
1/2" - 1"	9023002	21.00	CB
1-1/4" - 2"	9023003	32.00	
2-1/2" - 4"	9023004	37.00	
Discount Code		C	

Minimum length 1/2" - 2" T-21 valves = 2"
 2-1/2" - 3" T-21 valves = 4"
 Maximum length all sizes = 12"

Size	Electric Actuator w/Mtg for Type-21	Part Number	List Price	Option Code
1/2"	Series 94	2085005	561.00	94
3/4"	Series 94	2085007	561.00	
1"	Series 94	2085010	561.00	
1-1/4"	Series 94	2085012	561.00	
1-1/2"	Series 94	2085015	561.00	
2"	Series 94	2085020	561.00	
2-1/2"	Series 94	2085025	610.00	
3"	Series 94	2085030	610.00	
Discount Code			C	



Series 94 on Type-21 Ball Valve

Actuator & mounting only, please add valve to above price.

Options for Open/Close Service Series 94 Electric Actuators	Part Number	List Price	Option Code
Single Extra Limit Switch	2126003	69.00	M1
Double Extra Limit Switch	2126004	130.00	M2
Heater & Thermostat	2127001	130.00	HT
Feedback Potentiometer	2129003	203.00	P
4-20 Ma Output Source	2129006	717.00	C3
Cycle Length Control Module	2131003	316.00	CL
Mechanical Brake	2136001	213.00	BR
2-Wire Control Relay	2102008	149.00	2W
Protek Failsafe Battery Pack	2154001	816.00	FS
Local/Remote Selector Station	2190000	834.00	LR
2 Position Indicating Lights	2101000	105.00	2L
12 VDC Voltage Option	2135749	123.00	12D
24 VDC Voltage Option	2135750	123.00	24D
12 VAC Voltage Option	2135751	123.00	12A
24 VAC Voltage Option	2135752	123.00	24A
220 VAC Voltage Option	2135753	164.00	220
Discount Code		C	

LR is for 115 VAC actuators, open/close only. Multiple options may not be compatible.

Options for Modulating Service Series 94 Electric Actuators	Part Number	List Price	Option Code
Heater & Thermostat	2127001	130.00	HT
4-20 Ma Positioner	2130812	1057.00	C1
4-20 Ma Output w/ 2-extra Limit Switches	2130813	348.00	C3
Modbus Interface Card*	2130821	623.00	MB
Mechanical Brake	2136001	213.00	BR
Local/Remote Selector Station	2190001	1276.00	LR
12 VDC Voltage Option	2135749	123.00	12D
24 VDC Voltage Option	2135750	123.00	24D
12 VAC Voltage Option	2135751	123.00	12A
24 VAC Voltage Option	2135752	123.00	24A
220 VAC Voltage Option	2135753	164.00	220
Discount Code		C	

* Requires DHC-Series digital positioner.

LR is for 115 VAC actuators. Multiple options may not be compatible.

Ball Valves



**Series 92
on Type-21
Ball Valve**

Size	Electric Actuator w/Mtg for Type-21	Part Number	List Price	Option Code
1/2"	Series 92	2001005	922.00	92
3/4"	Series 92	2001007	922.00	
1"	Series 92	2001010	922.00	
1-1/4"	Series 92	2001012	922.00	
1-1/2"	Series 92	2001015	922.00	
2"	Series 92	2001020	922.00	
2-1/2"	Series 92	2001025	1271.00	
3"	Series 92	2001030	1271.00	
4"	Series 92	2001040	1271.00	
6"	Series 92	2001060	1271.00	
Discount Code			C	

Actuator & mounting only, please add valve to above price.

Options for Open/Close Service Series 92 Electric Actuators	Part Number	List Price	Option Code
Single Extra Limit Switch	2126001	69.00	M1
Double Extra Limit Switch	2126002	130.00	M2
Heater & Thermostat	2127001	130.00	HT
Feedback Potentiometer	2129001	203.00	P
4-20 Ma Output Source	2129005	717.00	C3
Cycle Length Control Module	2131001	316.00	CL
Mechanical Brake	2136001	213.00	BR
2-Wire Control Relay	2102001	149.00	2W
Protek Failsafe Battery Pack	2154000	816.00	FS
Local/Remote Selector Station	2190000	834.00	LR
2 Position Indicating Lights	2101000	105.00	2L
12 VDC Voltage Option	2135749	123.00	12D
24 VDC Voltage Option	2135750	123.00	24D
12 VAC Voltage Option	2135751	123.00	12A
24 VAC Voltage Option	2135752	123.00	24A
220 VAC Voltage Option	2135753	164.00	220
Discount Code		C	

LR is for 115 VAC actuators, open/close only. Multiple options may not be compatible.

Options for Modulating Service Series 92 Electric Actuators	Part Number	List Price	Option Code
Single Extra Limit Switch	2126001	69.00	M1
Double Extra Limit Switch	2126002	130.00	M2
Heater & Thermostat	2127001	130.00	HT
4-20 Ma Positioner	2130810	1057.00	C1
4-20 Ma Output w/ 2-extra Limit Switches	2130813	348.00	C3
Modbus Interface Card*	2130821	623.00	MB
Mechanical Brake	2136001	213.00	BR
Local/Remote Selector Station	2190001	1276.00	LR
12 VDC Voltage Option	2135749	123.00	12D
24 VDC Voltage Option	2135750	123.00	24D
12 VAC Voltage Option	2135751	123.00	12A
24 VAC Voltage Option	2135752	123.00	24A
220 VAC Voltage Option	2135753	164.00	220
Discount Code		C	

*Requires DHC-Series digital positioner.

LR is for 115 VAC actuators, multiple options may not be compatible.

Ball Valves

Size	Electric Actuator w/Mtg for Type-21	Part Number	List Price	Option Code
1/2"	Series 83	2002005	322.00	83
3/4"	Series 83	2002007	322.00	
1"	Series 83	2002010	322.00	
1-1/4"	Series 83	2002012	390.00	
1-1/2"	Series 83	2002015	390.00	
2"	Series 83	2002020	390.00	
Discount Code			C	



Series 83 on Type-21 Ball Valve

Price Includes: 115 VAC uni-directional motor, 5 second cycle time, and NEMA 4X enclosure. Actuator & mounting only, please add valve to above price.

Series 83 Options (Factory Installed)	Part Number	List Price	Option Code
2 Position Indicating Lights	2101000	113.00	L2
2-Wire Control Relay	2102001	149.00	2W
Single Extra Limit Switch	2103100	76.00	M1
12 VDC Voltage Option	2104749	48.00	12D
24 VDC Voltage Option	2104750	48.00	24D
12 VAC Voltage Option	2104751	113.00	12A
24 VAC Voltage Option	2104752	113.00	24A
220 VAC Voltage Option	2104753	152.00	220
Discount Code		C	

1. All Series 83 options must be factory installed.
2. 2-Wire control relay option may not be combined with single extra limit switch option.

Square Valve Tag	Part Number	List Price	Option Code
Stainless	3109000	16.00	T1
Plastic	6512147	16.00	T2
Paper	PAPERTAG	2.85	T3
Discount Code		C	

Clean & Bag	Part Number	List Price	Option Code
1/2" - 1"	9023002	21.00	CB
1-1/4" - 2"	9023003	32.00	
2-1/2" - 4"	9023004	37.00	
Discount Code		C	

Ball Valves



Series 79 A-A

Size	Air-to-Air Pneumatic Actuator w/Mtg for Type-21	Part Number	List Price	Option Code
1/2"	Series 79 A-A	2301005	195.00	AA
3/4"	Series 79 A-A	2301007	195.00	
1"	Series 79 A-A	2301010	195.00	
1-1/4"	Series 79 A-A	2301012	195.00	
1-1/2"	Series 79 A-A	2301015	195.00	
2"	Series 79 A-A	2301020	195.00	
2-1/2"	Series 79 A-A	2301025	561.00	
3"	Series 79 A-A	2301030	687.00	
4"	Series 79 A-A	2301040	789.00	
6"	Series 79 A-A	2301060	789.00	
Discount Code			C	

Actuator & mounting only, please add valve to above price.



Series 79 A-S

Size	Air-to-Spring (Close) Pneumatic Actuator w/Mtg for Type-21	Part Number	List Price	Option Code
1/2"	Series 79 A-S	2302005	208.00	ASC
3/4"	Series 79 A-S	2302007	208.00	
1"	Series 79 A-S	2302010	208.00	
1-1/4"	Series 79 A-S	2302012	350.00	
1-1/2"	Series 79 A-S	2302015	350.00	
2"	Series 79 A-S	2302020	443.00	
2-1/2"	Series 79 A-S	2302025	922.00	
3"	Series 79 A-S	2302030	1228.00	
4"	Series 79 A-S	2302040	1228.00	
6"	Series 79 A-S	2302060	1228.00	
Discount Code			C	

Actuator & mounting only, please add valve to above price.



Solenoid (shown mounted)

Options For Open/Close Series 79 Pneumatic Actuators	Part Number	List Price	Option Code
ASI-Bus: A79 - E79 Air - Air, Air - Spring (2-way)	2407010	741.00	ASI
F79 - G79 Air - Air, Air - Spring (2-way)	2407040	770.00	
A79 - E79 Air - Air, Air - Spring (3-way)	2407011	741.00	
Limit Switches w/mtg			
P-Series NEMA 4 (2-SPDT)	2403783	276.00	G5
I-Series NEMA 4 (2-SPDT)	2403785	315.00	
Westlock NEMA 4 (2-SPDT)	2403779	357.00	G6
Westlock NEMA 7 (2-SPDT)	2403780	523.00	G7
Solenoids 120 VAC			
NEMA 4	2401779	216.00	W11A
NEMA 7	2401780	449.00	X11A
Optional Solenoid Voltages			
NEMA 4 12 VDC	2415749	65.00	W12D
NEMA 4 24 VDC	2415750	65.00	W24D
NEMA 4 24 VAC	2415752	65.00	W24A
NEMA 4 220 VAC	2415753	65.00	W22A
NEMA 7 12 VDC	2415755	246.00	X12D
NEMA 7 24 VDC	2415756	246.00	X24D
NEMA 7 12 VAC	2415757	261.00	X12A
NEMA 7 24 VAC	2415758	261.00	X24A
NEMA 7 230 VAC	2415759	317.00	X22A
De-Clutchable Manual Overrides			
B79PA Declutch Kit	2219000	712.00	DC
B579PA - C579PA Declutch Kit	2219010	712.00	
D79PA Declutch Kit	2219020	895.00	
Discount Code			C

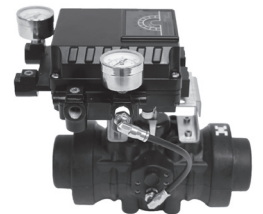
Ball Valves

Camstops	Part Number	List Price	Option Code
AP79P	2433000	247.00	CS
BP79P	2434000	247.00	
CP79P	2435000	247.00	
DP79P	2436000	247.00	
B-35 Watts Filter Regulator w/ Gauge	2123000	194.00	FR
Discount Code		C	

Options For Modulating Service for Series 79 Pneumatic Actuators	Part Number	List Price	Option Code
PST-202 SMART 4-20mA Positioner			
Air to Air (Standard with Transmitter)	2415420	2494.00	C1
Air to Spring (Standard with Transmitter)	2415420	2494.00	
Positioner & Transmitter with HART Protocol	2415425	3763.00	HA
PST-101 3-15 PSI Positioner			
Air to Air	2414315	1730.00	C2
Air to Spring	2414315	1733.00	
PST-101 3-15 PSI Positioner Options			
2 x SPDT Mechanical Switches	2414320	226.00	M2
Solenoids 120 VAC			
NEMA 4	2139779	218.00	W11A
NEMA 7	2139780	449.00	X11A
Optional Solenoid Voltages			
NEMA 4 12 VDC	2415749	65.00	W12D
NEMA 4 24 VDC	2415750	65.00	W24D
NEMA 4 24 VAC	2415752	65.00	W24A
NEMA 4 220 VAC	2415753	65.00	W22A
NEMA 7 12 VDC	2415755	246.00	X12D
NEMA 7 24 VDC	2415756	246.00	X24D
NEMA 7 12 VAC	2415757	261.00	X12A
NEMA 7 24 VAC	2415758	261.00	X24A
NEMA 7 220 VAC	2415759	317.00	X22A
B-35 Watts Filter Regulator w/ Gauge	2123000	194.00	FR
Discount Code		C	



PST-202



PST-101

Square Valve Tag	Part Number	List Price	Option Code
Stainless	3109000	16.00	T1
Plastic	6512147	16.00	T2
Discount Code		C	

Clean & Bag	Part Number	List Price	Option Code
1/2" - 1"	9023002	21.00	CB
1-1/4" - 2"	9023003	32.00	
2-1/2" - 4"	9023004	37.00	
Discount Code		C	

Ball Valves



Socket

PVC Type-23 Multiport® - True-Union					
Size	PVC Type-23 Multiport® Ball Valves	EPDM O-Rings		FKM O-Rings	
		Part Number	List Price	Part Number	List Price
1/2"	Socket	2510005	102.00	2513005	114.00
3/4"	Socket	2510007	113.00	2513007	134.00
1"	Socket	2510010	123.00	2513010	178.00
1-1/4"	Socket	2510012	184.00	2513012	392.00
1-1/2"	Socket	2510015	247.00	2513015	323.00
2"	Socket	2510020	331.00	2513020	401.00
2-1/2"	Socket	2510025	1198.00	2513025	1201.00
3"	Socket	2510030	929.00	2513030	932.00
4"	Socket	2510040	1603.00	2513040	1607.00
6"	Socket	2510060	2281.00	2513060	2286.00
Discount Code			B	B	



Threaded

PVC Type-23 Multiport® - True-Union					
Size	PVC Type-23 Multiport® Ball Valves	EPDM O-Rings		FKM O-Rings	
		Part Number	List Price	Part Number	List Price
1/2"	Threaded	2511005	102.00	2514005	114.00
3/4"	Threaded	2511007	113.00	2514007	134.00
1"	Threaded	2511010	123.00	2514010	178.00
1-1/4"	Threaded	2511012	184.00	2514012	392.00
1-1/2"	Threaded	2511015	247.00	2514015	323.00
2"	Threaded	2511020	331.00	2514020	401.00
2-1/2"	Threaded	2511025	1198.00	2514025	1201.00
3"	Threaded	2511030	929.00	2514030	932.00
4"	Threaded	2511040	1603.00	2514040	1607.00
6"	Threaded	2511060	2281.00	2514060	2286.00
Discount Code			B	B	



Flanged

PVC Type-23 Multiport® - Flanged				
Size	PVC Type-23 Multiport® Ball Valves	O-Rings		List Price
		EPDM	FKM	
		Part Number	Part Number	
1/2"	Flanged	2512005	2515005	231.00
3/4"	Flanged	2512007	2515007	243.00
1"	Flanged	2512010	2515010	361.00
1-1/4"	Flanged	2512012	2515012	799.00
1-1/2"	Flanged	2512015	2515015	673.00
2"	Flanged	2512020	2515020	878.00
2-1/2"	Flanged	2512025	2515025	2444.00
3"	Flanged	2512030	2515030	1727.00
4"	Flanged	2512040	2515040	2275.00
6"	Flanged	2512060	2515060	2992.00
Discount Code				B

Ball Valves



Certified to NSF/ANSI 61

1. All PVC Type-23 Multiport® ball valves are - NSF-61 approved.
2. PVC Type-23 Multiport® ball valves are rated to 150 psi.
3. 1-1/4" valve is 1-1/2" valve with 1-1/2" X 1-1/4" reducing end connectors.
4. 2-1/2" valve is 3" valve bushed down to 2-1/2".
5. All 6" valves are 4" bodies venturied to 6" end connections and are not full port 6".

Please note: Standard Ball L-Port for 180° Hand Rotation for all Type-23 Multiport® Valves

CPVC Type-23 Multiport® - True-Union					
Size	CPVC Type-23 Multiport® Ball Valves		O-Rings		List Price
			EPDM	FKM	
			Part Number	Part Number	
1/2"	Socket	2516005	2519005	134.00	
3/4"	Socket	2516007	2519007	152.00	
1"	Socket	2516010	2519010	216.00	
1-1/4"	Socket	2516012	2519012	430.00	
1-1/2"	Socket	2516015	2519015	373.00	
2"	Socket	2516020	2519020	493.00	
2-1/2"	Socket	2516025	2519025	1438.00	
3"	Socket	2516030	2519030	1168.00	
4"	Socket	2516040	2519040	2397.00	
6"	Socket	2516060	2519060	3102.00	
Discount Code					B



Socket

CPVC Type-23 Multiport® - True-Union					
Size	CPVC Type-23 Multiport® Ball Valves		O-Rings		List Price
			EPDM	FKM	
			Part Number	Part Number	
1/2"	Threaded	2517005	2520005	134.00	
3/4"	Threaded	2517007	2520007	152.00	
1"	Threaded	2517010	2520010	216.00	
1-1/4"	Threaded	2517012	2520012	430.00	
1-1/2"	Threaded	2517015	2520015	373.00	
2"	Threaded	2517020	2520020	493.00	
2-1/2"	Threaded	2517025	2520025	1438.00	
3"	Threaded	2517030	2520030	1168.00	
4"	Threaded	2517040	2520040	2397.00	
6"	Threaded	2517060	2520060	3102.00	
Discount Code					B



Threaded

CPVC Type-23 Multiport® - Flanged					
Size	CPVC Type-23 Multiport® Ball Valves		O-Rings		List Price
			EPDM	FKM	
			Part Number	Part Number	
1/2"	Flanged	2518005	2521005	274.00	
3/4"	Flanged	2518007	2521007	314.00	
1"	Flanged	2518010	2521010	450.00	
1-1/4"	Flanged	2518012	2521012	877.00	
1-1/2"	Flanged	2518015	2521015	815.00	
2"	Flanged	2518020	2521020	1097.00	
2-1/2"	Flanged	2518025	2521025	2928.00	
3"	Flanged	2518030	2521030	2247.00	
4"	Flanged	2518040	2521040	4018.00	
6"	Flanged	2518060	2521060	4929.00	
Discount Code					B



Flanged

1. CPVC Type-23 Multiport® ball valves are rated to 150 psi.
2. 1-1/4" valve is 1-1/2" valve with 1-1/2" X 1-1/4" reducing end connectors.
3. 2-1/2" valve is 3" valve bushed down to 2-1/2".
4. All 6" valves are 4" bodies venturied to 6" end connections and are not full port 6".

Please note: Standard Ball L-Port for 180° Hand Rotation for all Type-23 Multiport® Valves

Ball Valves



DIN/IPS Socket



Threaded



Butt



Flanged

Ball Valves

Polypropylene Type-23 Multiport® - True Union						
Size	PP Type-23 Multiport® Ball Valves	DIN Socket	IPS Socket	Threaded	Butt	List Price
		Part Number	Part Number	Part Number	Part Number	
1/2"	FKM O-Rings	2527005	2528005	2529005	2530005	267.00
3/4"	FKM O-Rings	2527007	2528007	2529007	2530007	315.00
1"	FKM O-Rings	2527010	2528010	2529010	2530010	418.00
1-1/4"	FKM O-Rings	2527012	2528012	2529012	2530012	771.00
1-1/2"	FKM O-Rings	2527015	2528015	2529015	2530015	771.00
2"	FKM O-Rings	2527020	2528020	2529020	2530020	967.00
3"	FKM O-Rings	2527030	2528030	2529030	2530030	2334.00
4"	FKM O-Rings	2527040	2528040	2529040	2530040	2743.00
Discount Code						B

PVDF Type-23 Multiport® - True Union						
Size	PVDF Type-23 Multiport Ball® Valves	DIN Socket	IPS Socket	Threaded	Butt	List Price
		Part Number	Part Number	Part Number	Part Number	
1/2"	FKM O-Rings	2532005	2533005	2534005	2535005	379.00
3/4"	FKM O-Rings	2532007	2533007	2534007	2535007	489.00
1"	FKM O-Rings	2532010	2533010	2534010	2535010	651.00
1-1/4"	FKM O-Rings	2532012	2533012	2534012	2535012	1073.00
1-1/2"	FKM O-Rings	2532015	2533015	2534015	2535015	1073.00
2"	FKM O-Rings	2532020	2533020	2534020	2535020	1497.00
3"	FKM O-Rings	2532030	2533030	2534030	2535030	5005.00
4"	FKM O-Rings	2532040	2533040	2534040	2535040	5692.00
Discount Code						B

Polypropylene Type-23 Multiport® - Flanged			
Size	PP Type-23 Multiport® Ball Valves	Flanged	List Price
		Part Number	
1/2"	FKM O-Rings	2531005	428.00
3/4"	FKM O-Rings	2531007	503.00
1"	FKM O-Rings	2531010	643.00
1-1/4"	FKM O-Rings	2531012	1099.00
1-1/2"	FKM O-Rings	2531015	1099.00
2"	FKM O-Rings	2531020	1378.00
3"	FKM O-Rings	2531030	2960.00
4"	FKM O-Rings	2531040	4127.00
6"	FKM O-Rings	2531060	5800.00
Discount Code			B

PVDF Type-23 Multiport® - Flanged			
Size	PVDF Type-23 Multiport Ball Valves	Flanged	List Price
		Part Number	
1/2"	FKM O-Rings	2536005	768.00
3/4"	FKM O-Rings	2536007	970.00
1"	FKM O-Rings	2536010	1309.00
1-1/4"	FKM O-Rings	2536012	1853.00
1-1/2"	FKM O-Rings	2536015	1853.00
2"	FKM O-Rings	2536020	2520.00
3"	FKM O-Rings	2536030	6570.00
4"	FKM O-Rings	2536040	7180.00
6"	FKM O-Rings	2536060	9217.00
Discount Code			B

**Please note:
Standard
Ball L-Port
for 180° Hand
Rotation for
all Type-23
Multiport®
Valves**

1. PP and PVDF Type-23 Multiport® ball valves are rated to 150 psi.
2. 1-1/4" valve is 1-1/2" valve with 1-1/2" X 1-1/4" reducing end connectors.
3. All 6" valves are 4" bodies venturied to 6" end connections and are not full port 6".

Valve Price Sheet #50A

Type-23 Manual Multiport® Ball Valve Options - Locking Handles

**Operating Nuts
Limit Switches**

Size	Optional O-Ring Seals	Part Number	List Price	Option Code
1/2"	Aflas® FA-100S O-Ring Kit	3300005	44.00	AFS
3/4"	Aflas® FA-100S O-Ring Kit	3300007	44.00	
1"	Aflas® FA-100S O-Ring Kit	3300010	50.00	
1-1/4"	Aflas® FA-100S O-Ring Kit	3300012	70.00	
1-1/2"	Aflas® FA-100S O-Ring Kit	3300015	70.00	
2"	Aflas® FA-100S O-Ring Kit	3300020	80.00	
2-1/2"	Aflas® FA-100S O-Ring Kit	3300025	171.00	
3"	Aflas® FA-100S O-Ring Kit	3300030	171.00	
4"	Aflas® FA-100S O-Ring Kit	3300040	217.00	
Discount Code			C	

Note: Kit prices shown are installed (add valve) or supplied as replacement parts.

Size	Locking Handle	Part Number	List Price	Option Code
1/2"	Clam shell Style	3050005	42.00	G1
3/4"	Clam shell Style	3050007	42.00	
1"	Clam shell Style	3050010	42.00	
1-1/4"	Clam shell Style	3050012	49.00	
1-1/2"	Clam shell Style	3050015	49.00	
2"	Clam shell Style	3050020	49.00	
2-1/2"	Clam shell Style	3050025	67.00	
3"	Clam shell Style	3050030	67.00	
4"	Clam shell Style	3050040	108.00	
Discount Code			C	

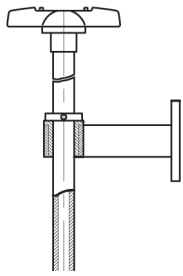
Size	Operating Nuts	Part Number	List Price	Option Code
1/2"	2" Square Nut	3092005	102.00	N1
1"	2" Square Nut	3092010	102.00	
1-1/4"	2" Square Nut	3092012	102.00	
2"	2" Square Nut	3092020	102.00	
3"	2" Square Nut	3092030	102.00	
4"	2" Square Nut	3092040	102.00	
1/2"	T-Nut	3093005	222.00	N2
1"	T-Nut	3093010	222.00	
1-1/4"	T-Nut	3093012	222.00	
2"	T-Nut	3093020	222.00	
3"	T-Nut	3093030	222.00	
4"	T-Nut	3093040	222.00	
Discount Code			C	

**Please note:
Standard Ball
L-Port for 180°
Hand Rotation
for all
Type-23
Multiport®
Valves**

Size	Manual Limit Switch Kit	Part Number	List Price	Option Code
1/2"	P-Series NEMA 4X	3067005	563.00	G5
3/4" - 1"	P-Series NEMA 4X	3067010	563.00	
1-1/4"	P-Series NEMA 4X	3067012	563.00	
1-1/2" - 2"	P-Series NEMA 4X	3067020	620.00	
2-1/2"	P-Series NEMA 4X	3067025	797.00	
3"	P-Series NEMA 4X	3067030	797.00	
4"	P-Series NEMA 4X	3067040	797.00	
1/2"	Westlock NEMA 7	2115005	688.00	G7
3/4" - 1"	Westlock NEMA 7	2115010	688.00	
1-1/4"	Westlock NEMA 7	2115012	688.00	
1-1/2" - 2"	Westlock NEMA 7	2115020	748.00	
2-1/2"	Westlock NEMA 7	2115025	937.00	
3"	Westlock NEMA 7	2115030	937.00	
4"	Westlock NEMA 7	2115040	937.00	
Discount Code			C	

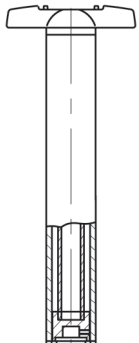
Consists of 2 SPDT & switches, cams, beacon indicator; NEMA 4X or 7 enclosure factory mounting & test.

Ball Valves



BV-B One Piece Stem Extension

Stem Extensions			
One Piece Stem Extension- Style BV-B	Part Number	List Price	Option Code
1st Ft	1st Ft		
Carbon Steel	1771000	396.00	E1
304 SS	1773000	456.00	E2
316 SS	1775000	500.00	E3
Add'l Ft	Add'l Ft		
Carbon Steel	1772000	61.00	E1
304 SS	1774000	74.00	E2
316 SS	1776000	98.00	E3
Dimension A or B (Circle) _____ FT _____ IN			
Discount Code		C	
Two Piece Stem Extension- Style BV-A	Part Number	List Price	Option Code
1st Ft	1st Ft		
CS x PVC	1777000	672.00	E5
304 x PVC	1779000	676.00	E6
316 x PVC	1781000	720.00	E7
Add'l Ft	Add'l Ft		
CS x PVC	1778000	86.00	E5
304 x PVC	1780000	98.00	E6
316 x PVC	1782000	136.00	E7
Specify Dimension A or B _____ FT _____ IN			
Discount Code		C	



BV-A Two Piece Stem Extension

Wall Support	Part Number	List Price	Option Code
Wall Support	3021000	220.00	WS
Wall/Floor Plate	3022000	211.00	WP
Discount Code		C	

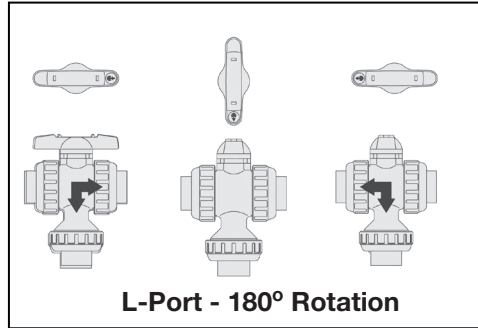
Two Piece Landfill Stem Extension- Style BV-A	Part Number	List Price	Option Code
1st Ft	1st Ft		
CS x CS	1787001	692.00	E8
316 SS x CS	3017001	1100.00	E10
Add'l Ft	Add'l Ft		
CS x CS	1788002	114.00	E8
316 SS x CS	3017002	167.00	E10
Specify Dimension A or B _____ FT _____ IN			
Discount Code		C	

Size	Panel Mount Stem Extension	Part Number	List Price	Option Code
1/2"	Panel Mount Type BV-P	3026005	85.00	E4
3/4"	Panel Mount Type BV-P	3026007	85.00	
1"	Panel Mount Type BV-P	3026010	85.00	
1-1/4"	Panel Mount Type BV-P	3026012	85.00	
1-1/2"	Panel Mount Type BV-P	3026015	85.00	
2"	Panel Mount Type BV-P	3026020	85.00	
2-1/2"	Panel Mount Type BV-P	3026025	120.00	
3"	Panel Mount Type BV-P	3026030	120.00	
Discount Code		C		

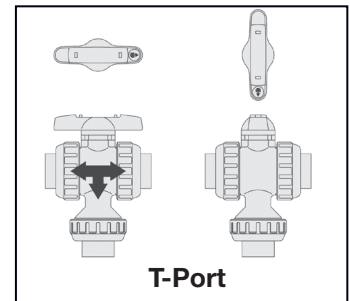
Minimum length 1/2" - 2" T-23 valves = 2"
 2-1/2" - 3" T-23 valves = 4"
 Maximum length all sizes = 12"

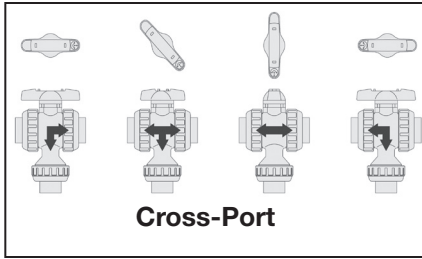
Ball Valves

Please note:
Standard Ball
L-Port for 180° Hand Rotation
for all Type-23 Multiport® Valves

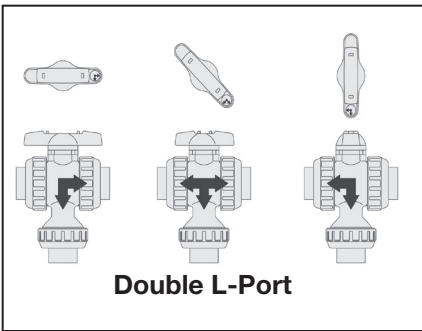


Size	Ball Options - T-Port	Part Number	List Price	Option Code
1/2"	PVC	3031005	65.00	TL
3/4"	PVC	3031007	65.00	
1"	PVC	3031010	65.00	
1-1/4" - 1-1/2"	PVC	3031015	65.00	
2"	PVC	3031020	65.00	
2-1/2" - 3"	PVC	3031030	65.00	
4" - 6"	PVC	3031040	65.00	TL
1/2"	CPVC	3032005	65.00	
3/4"	CPVC	3032007	65.00	
1"	CPVC	3032010	65.00	
1-1/4" - 1-1/2"	CPVC	3032015	65.00	
2"	CPVC	3032020	65.00	
2-1/2" - 3"	CPVC	3032030	65.00	
4" - 6"	CPVC	3032040	65.00	TL
1/2"	PP	3033005	65.00	
3/4"	PP	3033007	65.00	
1"	PP	3033010	65.00	
1-1/4" - 1-1/2"	PP	3033015	65.00	
2"	PP	3033020	65.00	
2-1/2" - 3"	PP	3033030	65.00	
4" - 6"	PP	3033040	65.00	TL
1/2"	PVDF	3034005	65.00	
3/4"	PVDF	3034007	65.00	
1"	PVDF	3034010	65.00	
1-1/4" - 1-1/2"	PVDF	3034015	65.00	
2"	PVDF	3034020	65.00	
2-1/2" - 3"	PVDF	3034030	65.00	
4" - 6"	PVDF	3034040	65.00	
Discount Code			C	





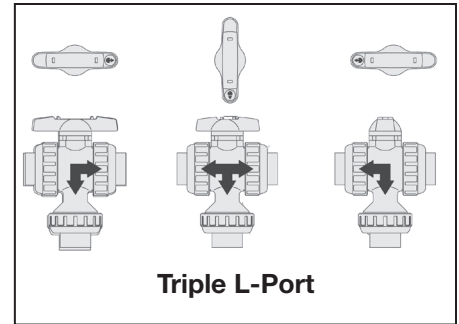
Size	Ball Options - Cross-Port	Part Number	List Price	Option Code
1/2"	PVC	3027005	45.00	XL
3/4"	PVC	3027007	45.00	
1"	PVC	3027010	45.00	
1-1/4"	PVC	3027012	45.00	
1-1/2"	PVC	3027015	45.00	
2"	PVC	3027020	45.00	XL
1/2"	CPVC	3028005	45.00	
3/4"	CPVC	3028007	45.00	
1"	CPVC	3028010	45.00	
1-1/4"	CPVC	3028012	45.00	
1-1/2"	CPVC	3028015	45.00	
2"	CPVC	3028020	45.00	XL
1/2"	PP	3029005	45.00	
3/4"	PP	3029007	45.00	
1"	PP	3029010	45.00	
1-1/4"	PP	3029012	45.00	
1-1/2"	PP	3029015	45.00	
2"	PP	3029020	45.00	XL
1/2"	PVDF	3030005	75.00	
3/4"	PVDF	3030007	75.00	
1"	PVDF	3030010	75.00	
1-1/4"	PVDF	3030012	75.00	
1-1/2"	PVDF	3030015	75.00	
2"	PVDF	3030020	75.00	
Discount Code			C	



Size	Ball Options - Double L-Port	Part Number	List Price	Option Code
1/2"	PVC	3035005	65.00	2L
3/4"	PVC	3035007	65.00	
1"	PVC	3035010	65.00	
1-1/4" - 1-1/2"	PVC	3035015	65.00	
2"	PVC	3035020	65.00	
2-1/2" - 3"	PVC	3035030	65.00	2L
4" - 6"	PVC	3035040	65.00	
1/2"	CPVC	3036005	65.00	
3/4"	CPVC	3036007	65.00	
1"	CPVC	3036010	65.00	
1-1/4" - 1-1/2"	CPVC	3036015	65.00	2L
2"	CPVC	3036020	65.00	
2-1/2" - 3"	CPVC	3036030	65.00	
4" - 6"	CPVC	3036040	65.00	
1/2"	PP	3037005	65.00	
3/4"	PP	3037007	65.00	
1"	PP	3037010	65.00	
1-1/4" - 1-1/2"	PP	3037015	65.00	
2"	PP	3037020	65.00	
2-1/2" - 3"	PP	3037030	65.00	2L
4" - 6"	PP	3037040	65.00	
1/2"	PVDF	3038005	65.00	
3/4"	PVDF	3038007	65.00	
1"	PVDF	3038010	65.00	
1-1/4" - 1-1/2"	PVDF	3038015	65.00	2L
2"	PVDF	3038020	65.00	
2-1/2" - 3"	PVDF	3038030	65.00	
4" - 6"	PVDF	3038040	65.00	
Discount Code			C	

Ball Valves

Size	Ball Options - Triple-L	Part Number	List Price	Option Code
1/2"	PVC	3079005	95.00	3L
3/4"	PVC	3079007	95.00	
1"	PVC	3079010	95.00	
1-1/4" - 1-1/2"	PVC	3079015	95.00	
2"	PVC	3079020	95.00	
2-1/2" - 3"	PVC	3079030	95.00	
4" - 6"	PVC	3079040	95.00	3L
1/2"	CPVC	3080005	95.00	
3/4"	CPVC	3080007	95.00	
1"	CPVC	3080010	95.00	
1-1/4" - 1-1/2"	CPVC	3080015	95.00	
2"	CPVC	3080020	95.00	
2-1/2" - 3"	CPVC	3080030	95.00	
4" - 6"	CPVC	3080040	95.00	3L
1/2"	PP	3081005	95.00	
3/4"	PP	3081007	95.00	
1"	PP	3081010	95.00	
1-1/4" - 1-1/2"	PP	3081015	95.00	
2"	PP	3081020	95.00	
2-1/2" - 3"	PP	3081030	95.00	
4" - 6"	PP	3081040	95.00	3L
1/2"	PVDF	3082005	95.00	
3/4"	PVDF	3082007	95.00	
1"	PVDF	3082010	95.00	
1-1/4" - 1-1/2"	PVDF	3082015	95.00	
2"	PVDF	3082020	95.00	
2-1/2" - 3"	PVDF	3082030	95.00	
4" - 6"	PVDF	3082040	95.00	
Discount Code			C	



Square Valve Tag	Part Number	List Price	Option Code
Stainless	3109000	16.00	T1
Plastic	6512147	16.00	T2
Paper	PAPERTAG	2.85	T3
Discount Code		C	

Clean & Bag	Part Number	List Price	Option Code
1/2" - 1"	9023002	21.00	CB
1-1/4" - 2"	9023003	32.00	
2-1/2" - 4"	9023004	37.00	
Discount Code		C	

Ball Valves



Series 94 on Type-23

Size	Electric Actuator w/Mtg for Type-23	Part Number	List Price	Option Code
1/2"	Series 94	2085005	561.00	94
3/4"	Series 94	2085007	561.00	
1"	Series 94	2085010	561.00	
1-1/4"	Series 94	2085012	561.00	
1-1/2"	Series 94	2085015	561.00	
2"	Series 94	2085020	561.00	
2-1/2"	Series 94	2085025	610.00	
3"	Series 94	2085030	610.00	
Discount Code			C	

Actuator & mounting only, please add valve to above price.

Options for Open/Close Service Series 94 Electric Actuators	Part Number	List Price	Option Code
Single Extra Limit Switch	2126003	69.00	M1
Double Extra Limit Switch	2126004	130.00	M2
Heater & Thermostat	2127001	130.00	HT
Feedback Potentiometer	2129003	203.00	P
4-20 Ma Output Source	2129006	717.00	C3
Cycle Length Control Module	2131003	316.00	CL
Center off Switch	2132003	185.00	CO
Mechanical Brake	2136001	213.00	BR
2-Wire Control Relay	2102008	149.00	2W
Protek Failsafe Battery Pack	2154001	816.00	FS
Local/Remote Selector Station	2190000	834.00	LR
2 Position Indicating Lights	2101000	105.00	2L
12 VDC Voltage Option	2135749	123.00	12D
24 VDC Voltage Option	2135750	123.00	24D
12 VAC Voltage Option	2135751	123.00	12A
24 VAC Voltage Option	2135752	123.00	24A
220 VAC Voltage Option	2135753	164.00	220
Discount Code		C	

LR is for 115 VAC actuators, open/close only. Multiple options may not be compatible.

Options for Modulating Service Series 94 Electric Actuators	Part Number	List Price	Option Code
Heater & Thermostat	2127001	130.00	HT
4-20 Ma Positioner	2130812	1057.00	C1
4-20 Ma Output w/ 2-extra L/S	2130813	348.00	C3
Modbus Interface Card*	2130821	623.00	MB
Mechanical Brake	2136001	213.00	BR
Local/Remote Selector Station	2190001	1276.00	LR
12 VDC Voltage Option	2135749	123.00	12D
24 VDC Voltage Option	2135750	123.00	24D
12 VAC Voltage Option	2135751	123.00	12A
24 VAC Voltage Option	2135752	123.00	24A
220 VAC Voltage Option	2135753	164.00	220
Discount Code		C	

*Requires DHC-Series digital positioner.

LR is for 115 VAC actuators. Multiple options may not be compatible.

Ball Valves



Series 92 Type 23

Size	Electric Actuator w/Mtg for Type-23	Part Number	List Price	Option Code
1/2"	Series 92	2001005	922.00	92
3/4"	Series 92	2001007	922.00	
1"	Series 92	2001010	922.00	
1-1/4"	Series 92	2001012	922.00	
1-1/2"	Series 92	2001015	922.00	
2"	Series 92	2001020	922.00	
2-1/2"	Series 92	2001025	1271.00	
3"	Series 92	2001030	1271.00	
4" - 6"	Series 92	2001040	1271.00	
Discount Code			C	

Actuator & mounting only, please add valve to above price.

Options for Open/Close Service Series 92 Electric Actuators	Part Number	List Price	Option Code
Single Extra Limit Switch	2126001	69.00	M1
Double Extra Limit Switch	2126002	130.00	M2
Heater & Thermostat	2127001	130.00	HT
Feedback Potentiometer	2129001	203.00	P
4-20 Ma Output Source	2129005	717.00	C3
Cycle Length Control Module	2131001	316.00	CL
Center off Switch	2132001	185.00	CO
Mechanical Brake	2136001	213.00	BR
2-Wire Control Relay	2102001	149.00	2W
Protek Failsafe Battery Pack	2154000	816.00	FS
Local/Remote Selector Station	2190000	834.00	LR
2 Position Indicating Lights	2101000	105.00	2L
12 VDC Voltage Option	2135749	123.00	12D
24 VDC Voltage Option	2135750	123.00	24D
12 VAC Voltage Option	2135751	123.00	12A
24 VAC Voltage Option	2135752	123.00	24A
220 VAC Voltage Option	2135753	164.00	220
Discount Code		C	

LR is for 115 VAC actuators, open/close only. Multiple options may not be compatible.

Options for Modulating Service Series 92 Electric Actuators	Part Number	List Price	Option Code
Single Extra Limit Switch	2126001	69.00	M1
Double Extra Limit Switch	2126002	130.00	M2
Heater & Thermostat	2127001	130.00	HT
4-20 Ma Positioner	2130810	1057.00	C1
4-20 Ma Output w/ 2-extra L/S	2130813	348.00	C3
Modbus Interface Card*	2130821	623.00	MB
Mechanical Brake	2136001	213.00	BR
Local/Remote Selector Station	2190001	1276.00	LR
12 VDC Voltage Option	2135749	123.00	12D
24 VDC Voltage Option	2135750	123.00	24D
12 VAC Voltage Option	2135751	123.00	12A
24 VAC Voltage Option	2135752	123.00	24A
220 VAC Voltage Option	2135753	164.00	220
Discount Code		C	

*Requires DHC-Series digital positioner.

LR is for 115 VAC actuators. Multiple options may not be compatible.

Ball Valves



Series 83 on Type-23

Size	Electric Actuator w/Mtg for Type-23	Part Number	List Price	Option Code
1/2"	Series 83 Electric	2002005	322.00	83
3/4"	Series 83 Electric	2002007	322.00	
1"	Series 83 Electric	2002010	322.00	
1-1/4"	Series 83 Electric	2002012	390.00	
1-1/2"	Series 83 Electric	2002015	390.00	
2"	Series 83 Electric	2002020	390.00	
Discount Code			C	

Actuator & mounting only, please add valve to above price.

Series 83 Options (Factory Installed)	Part Number	List Price	Option Code
2 Position Indicating Lights	2101000	109.00	L2
2-Wire Control Relay	2102001	149.00	2W
Single Extra Limit Switch	2103100	72.00	M1
12 VDC Voltage Option	2104749	46.00	12D
24 VDC Voltage Option	2104750	46.00	24D
12 VAC Voltage Option	2104751	108.00	12A
24 VAC Voltage Option	2104752	108.00	24A
220 VAC Voltage Option	2104753	145.00	220
Discount Code		C	

Square Valve Tag	Part Number	List Price	Option Code
Stainless	3109000	16.00	T1
Plastic	6512147	16.00	T2
Paper	PAPERTAG	2.85	T3
Discount Code		C	

Clean & Bag	Part Number	List Price	Option Code
1/2" - 1"	9023002	21.00	CB
1-1/4" - 2"	9023003	32.00	
2-1/2" - 4"	9023004	37.00	
Discount Code		C	

Ball Valves

Size	Air-to-Air Pneumatic Actuator for Type-23	Part Number	List Price	Option Code
1/2"	Series 79 A-A	2301005	195.00	AA
3/4"	Series 79 A-A	2301007	195.00	
1"	Series 79 A-A	2301010	195.00	
1-1/4"	Series 79 A-A	2301012	195.00	
1-1/2"	Series 79 A-A	2301015	195.00	
2"	Series 79 A-A	2301020	195.00	
2-1/2"	Series 79 A-A	2301025	561.00	
3"	Series 79 A-A	2301030	687.00	
4"	Series 79 A-A	2301040	789.00	
6"	Series 79 A-A	2301060	789.00	
Discount Code			C	

Options



Series 79 on Type 23

Actuator & mounting only, please add valve to above price.

Size	Air-to-Spring (Close) Pneumatic Actuator for Type-23	Part Number	List Price	Option Code
1/2"	Series 79 A-S	2302005	208.00	ASC
3/4"	Series 79 A-S	2302007	208.00	
1"	Series 79 A-S	2302010	208.00	
1-1/4"	Series 79 A-S	2302012	350.00	
1-1/2"	Series 79 A-S	2302015	350.00	
2"	Series 79 A-S	2302020	443.00	
2-1/2"	Series 79 A-S	2302025	922.00	
3"	Series 79 A-S	2302030	1228.00	
4"	Series 79 A-S	2302040	1228.00	
6"	Series 79 A-S	2302060	1228.00	
Discount Code			C	

Actuator & mounting only, please add valve to above price.

Options For Open/Close Series 79 Pneumatic Actuators	Part Number	List Price	Option Code
ASI-Bus: A79 - E79 Air - Air, Air - Spring (3-way)	2407011	741.00	ASI
Limit Switches w/mtg			
P-Series NEMA 4 (2-SPDT)	2403783	276.00	G5
I-Series NEMA 4 (2-SPDT)	2403785	315.00	
NEMA 4 (2-SPDT)	2403779	357.00	G6
NEMA 7 (2-SPDT)	2403780	523.00	G7
Solenoids 120 VAC			
NEMA 4X	2401779	216.00	W11A
NEMA 7	2401780	449.00	X11A
Optional Solenoid Voltages			
NEMA 4 12 VDC	2415749	65.00	W12D
NEMA 4 24 VDC	2415750	65.00	W24D
NEMA 4 24 VAC	2415752	65.00	W24A
NEMA 4 220 VAC	2415753	65.00	W22A
NEMA 7 12 VDC	2415755	246.00	X12D
NEMA 7 24 VDC	2415756	246.00	X24D
NEMA 7 12 VAC	2415757	261.00	X12A
NEMA 7 24 VAC	2415758	261.00	X24A
NEMA 7 220 VAC	2415759	317.00	X22A
De-Clutchable Manual Overrides			
B79PA Declutch Kit	2219000	712.00	DC
B579PA - C579PA Declutch Kit	2219010	712.00	
D79PA Declutch Kit	2219020	895.00	
Camstops			
AP79P	2433000	235.00	CS
BP79P	2434000	235.00	
CP79P	2435000	235.00	
DP79P	2436000	235.00	
B-35 Watts Filter Regulator w/ Gauge	2123000	185.00	FR
Discount Code			C



P-Series Limit Switch

Ball Valves

Options For Modulating Service for Series 79 Pneumatic Actuators	Part Number	List Price	Option Code
PST-202 SMART 4-20mA Positioner			
Air to Air (Standard with Transmitter)	2415420	2494.00	C1
Air to Spring (Standard with Transmitter)	2415420	2494.00	
Positioner & Transmitter with HART Protocol	2415425	3763.00	HA
PST-101 3-15 PSI Positioner			
Air-to-Air	2414315	1733.00	C2
Air-to-Spring	2414315	1733.00	
PST-101 3-15 PSI Positioner Options			
2 x SPDT Mechanical Switches	2414320	226.00	M2
Solenoids 120 VAC			
NEMA 4	2139779	216.00	W11A
NEMA 7	2139780	449.00	X11A
Optional Solenoid Voltages			
NEMA 4 12 VDC	2415749	65.00	W12D
NEMA 4 24 VDC	2415750	65.00	W24D
NEMA 4 24 VAC	2415752	65.00	W24A
NEMA 4 220 VAC	2415753	65.00	W22A
NEMA 7 12 VDC	2415755	130.00	X12D
NEMA 7 24 VDC	2415756	130.00	X24D
NEMA 7 12 VAC	2415757	130.00	X12A
NEMA 7 24 VAC	2415758	130.00	X24A
NEMA 7 220 VAC	2415759	130.00	X22A
B-35 Watts Filter Regulator w/ Gauge	2123000	194.00	FR
Discount Code		C	

Square Valve Tag	Part Number	List Price	Option Code
Stainless	3109000	16.00	T1
Plastic	6512147	16.00	T2
Paper	PAPERTAG	2.85	T3
Discount Code		C	

Clean & Bag	Part Number	List Price	Option Code
1/2" - 1"	9023002	21.00	CB
1-1/4" - 2"	9023003	32.00	
2-1/2" - 4"	9023004	37.00	
Discount Code		C	

Ball Valves

Butterfly Valves -

- Type-57 Lever PVC/PP, PVC/PVC, PVC/PVDF..... Page 32
- Type-57 Lever PVC/CPVC..... Page 33
- Type-57 Lever PP/PP, PP/PVC, PVDF/PVDF..... Page 34
- Type-57 Gear PVC/PP, PVC/PVC, PVC/PVDF..... Page 35
- Type-57 Gear PP/PP, PP/PVC..... Page 36
- Type-57 Gear PVDF/PVDF..... Page 37
- Type-57IL Isolator Lug Lever PVC/PP..... Page 38
- Type-57IL Isolator Lug Lever PVC/PVC..... Page 39
- Type-57IL Isolator Lug Lever PVC/PVDF..... Page 40
- Type-57 Lug Lever PP/PP, PP/PVDF..... Page 41
- Type-57 Lug Gear PVDF/PVDF..... Page 42
- Type-57IL Isolator Lug Gear PVC/PP..... Page 43
- Type-57IL Isolator Lug Gear PVC/PVC..... Page 44
- Type-57IL Isolator Lug Gear PVC/PVDF..... Page 45
- Type-57 Lug Gear PP/PP..... Page 46
- Type-57 Lug Gear PP/PVDF..... Page 47
- Type-57 Lug Gear PVDF/PVDF..... Page 48
- Type-57 LIS Lever PVC/PP..... Page 49
- Type-57 LIS Lever PVC/PVC..... Page 50
- Type-57 LIS Lever PVC/CPVC..... Page 51
- Type-57 LIS Lever PVC/PVDF..... Page 52
- Type-57 LIS Gear PVC/PP..... Page 53
- Type-57 LIS Gear PVC/PVC..... Page 54
- Type-57 LIS Gear PVC/CPVC..... Page 55
- Type-57 LIS Gear PVC/PVDF..... Page 56

Special Application Butterfly Valves - Type SP Pool-Pro[®], Type-55, Type-56D/75D..... Page 57

- PDCPD..... Page 58

Butterfly Valve Options - Stems & Locking Devices..... Page 59

- Operating Nuts, Chain Operators, Limit Switches..... Page 60
- Stem Extensions..... Page 61

Actuated Butterfly Valves - Electric Actuated..... Page 63

- Pneumatic Actuated..... Page 66



Type-57
Lever

Type-57 Butterfly Valves Wafer Style - Lever Operation						
Size	PVC Body PP Disc Wafer Style	Seat/Seals			Seat/Seals	
		EPDM	Nitrile	List Price	FKM	List Price
		Part Number	Part Number		Part Number	
1-1/2"	T-57 Lever	3730015	3732015	278.00	3731015	443.00
2"	T-57 Lever	3730020	3732020	291.00	3731020	394.00
2-1/2"	T-57 Lever	3730025	3732025	327.00	3731025	565.00
3"	T-57 Lever	3730030	3732030	316.00	3731030	457.00
4"	T-57 Lever	3730040	3732040	367.00	3731040	557.00
5"	T-57 Lever	3730050	3732050	688.00	3731050	1899.00
6"	T-57 Lever	3730060	3732060	550.00	3731060	899.00
8"	T-57 Lever	3730080	3732080	1022.00	3731080	1502.00
Discount Code				B	C	

Type-57 Butterfly Valves Wafer Style - Lever Operation						
Size	PVC Body PVC Disc Wafer Style	Seat/Seals			Seat/Seals	
		EPDM	List Price	FKM	List Price	
		Part Number		Part Number		
1-1/2"	T-57 Lever	3722015	278.00	3724015	443.00	
2"	T-57 Lever	3722020	291.00	3724020	394.00	
2-1/2"	T-57 Lever	3722025	327.00	3724025	565.00	
3"	T-57 Lever	3722030	316.00	3724030	457.00	
4"	T-57 Lever	3722040	367.00	3724040	557.00	
5"	T-57 Lever	3722050	688.00	3724050	1899.00	
6"	T-57 Lever	3722060	550.00	3724060	899.00	
8"	T-57 Lever	3722080	1022.00	3724080	1502.00	
Discount Code				B	C	

Type-57 Butterfly Valves Wafer Style - Lever Operation						
Size	PVC Body PVDF Disc Wafer Style	Seat/Seals			Seat/Seals	
		EPDM	List Price	FKM	List Price	
		Part Number		Part Number		
1-1/2"	T-57 Lever	3733015	290.00	3734015	533.00	
2"	T-57 Lever	3733020	299.00	3734020	483.00	
2-1/2"	T-57 Lever	3733025	342.00	3734025	675.00	
3"	T-57 Lever	3733030	357.00	3734030	589.00	
4"	T-57 Lever	3733040	410.00	3734040	702.00	
5"	T-57 Lever	3733050	712.00	3734050	2121.00	
6"	T-57 Lever	3733060	746.00	3734060	1252.00	
8"	T-57 Lever	3733080	1291.00	3734080	2065.00	
Discount Code				C	C	

Butterfly Valves

Type-57 Butterfly Valves Wafer Style - Lever Operation					
Size	PVC Body CPVC Disc Wafer Style	Seat/Seals		Seat/Seals	
		EPDM	List Price	FKM	List Price
		Part Number		Part Number	
3"	T-57 Lever	3881030	331.00	3882030	480.00
4"	T-57 Lever	3881040	386.00	3882040	584.00
6"	T-57 Lever	3881060	580.00	3882060	947.00
8"	T-57 Lever	3881080	1074.00	3882080	1581.00
Discount Code			B	C	



Type-57
Lever

Type-57 Butterfly Valves Wafer Style - Gear Operation					
Size	PVC Body CPVC Disc Wafer Style	Seat/Seals		Seat/Seals	
		EPDM	List Price	FKM	List Price
		Part Number		Part Number	
3"	T-57 Plasgear®	3883030	841.00	3884030	846.00
4"	T-57 Plasgear®	3883040	897.00	3884040	948.00
6"	T-57 Plasgear®	3883060	1090.00	3884060	1311.00
8"	T-57 Plasgear®	3883080	1305.00	3884080	1953.00
Discount Code			B	C	



Type-57
Gear



Type-57
Lever

Type-57 Butterfly Valves Wafer Style - Lever Operation					
Size	PP Body PP Disc Wafer Style	Seat/Seals		Seat/Seals	
		EPDM	List Price	FKM	List Price
		Part Number		Part Number	
1-1/2"	T-57 Lever	3752015	659.00	3753015	748.00
2"	T-57 Lever	3752020	691.00	3753020	778.00
2-1/2"	T-57 Lever	3752025	874.00	3753025	1049.00
3"	T-57 Lever	3752030	979.00	3753030	1086.00
4"	T-57 Lever	3752040	1049.00	3753040	1156.00
5"	T-57 Lever	3752050	1485.00	3753050	3152.00
6"	T-57 Lever	3752060	1662.00	3753060	2435.00
8"	T-57 Lever	3752080	2477.00	3753080	2813.00
Discount Code			C	C	

Type-57 Butterfly Valves Wafer Style - Lever Operation					
Size	PP Body PVDF Disc Wafer Style	Seat/Seals		Seat/Seals	
		EPDM	List Price	FKM	List Price
		Part Number		Part Number	
1-1/2"	T-57 Lever	3740015	748.00	3741015	839.00
2"	T-57 Lever	3740020	780.00	3741020	868.00
2-1/2"	T-57 Lever	3740025	983.00	3741025	1157.00
3"	T-57 Lever	3740030	1110.00	3741030	1216.00
4"	T-57 Lever	3740040	1194.00	3741040	1304.00
5"	T-57 Lever	3740050	1707.00	3741050	3375.00
6"	T-57 Lever	3740060	2009.00	3741060	2784.00
8"	T-57 Lever	3740080	3039.00	3741080	3375.00
Discount Code			C	C	

Type-57 Butterfly Valves Wafer Style - Lever Operation					
Size	PVDF Body PVDF Disc Wafer Style	Seat/Seals		Seat/Seals	
		EPDM	List Price	FKM	List Price
		Part Number		Part Number	
1-1/2"	T-57 Lever	3744015	957.00	3745015	1204.00
2"	T-57 Lever	3744020	999.00	3745020	1204.00
2-1/2"	T-57 Lever	3744025	1142.00	3745025	1464.00
3"	T-57 Lever	3744030	1291.00	3745030	1529.00
4"	T-57 Lever	3744040	1866.00	3745040	2167.00
5"	T-57 Lever	3744050	3696.00	3745050	4501.00
6"	T-57 Lever	3744060	3529.00	3745060	4258.00
8"	T-57 Lever	3744080	6981.00	3745080	7514.00
Discount Code			C	C	

Butterfly Valves

PVC/PVC
PVC/PVDF



Type-57 Gear

Type-57 Butterfly Valves Wafer Style - Gear Operation						
Size	PVC Body PP Disc Wafer Style	Seat/Seals			Seat/Seals	
		EPDM	Nitrile	List Price	FKM	List Price
		Part Number	Part Number		Part Number	
1-1/2"	T-57 Plasgear®	3719015	3721015	763.00	3720015	789.00
2"	T-57 Plasgear®	3719020	3721020	777.00	3720020	739.00
2-1/2"	T-57 Plasgear®	3719025	3721025	812.00	3720025	913.00
3"	T-57 Plasgear®	3719030	3721030	800.00	3720030	805.00
4"	T-57 Plasgear®	3719040	3721040	852.00	3720040	900.00
5"	T-57 Plasgear®	3719050	3721050	1173.00	3720050	2247.00
6"	T-57 Plasgear®	3719060	3721060	1036.00	3720060	1245.00
8"	T-57 Plasgear®	3719080	3721080	1240.00	3720080	1855.00
Discount Code				B	C	
10"	T-57 Plasgear®	3719100	3721100	1379.00	3720100	3283.00
12"	T-57 Plasgear®	3719120	3721120	2248.00	3720120	4829.00
14"	T-57 Plasgear®	3719140	3721140	6823.00	3720140	15999.00
Metal Gear						
12"	T-57 Metal Gear	3786120	3787120	1911.00	3788120	4492.00
14"	T-57 Metal Gear	3786140	3787140	6487.00	3788140	15663.00
Discount Code				C	C	

Type-57 Butterfly Valves Wafer Style - Gear Operation						
Size	PVC Body PVC Disc Wafer Style	Seat/Seals			Seat/Seals	
		EPDM	List Price	FKM	List Price	
		Part Number		Part Number		
1-1/2"	T-57 Plasgear®	3723015	795.00	3725015	789.00	
2"	T-57 Plasgear®	3723020	815.00	3725020	739.00	
2-1/2"	T-57 Plasgear®	3723025	855.00	3725025	913.00	
3"	T-57 Plasgear®	3723030	856.00	3725030	805.00	
4"	T-57 Plasgear®	3723040	912.00	3725040	900.00	
5"	T-57 Plasgear®	3723050	1270.00	3725050	2247.00	
6"	T-57 Plasgear®	3723060	1134.00	3725060	1245.00	
8"	T-57 Plasgear®	3723080	1361.00	3725080	1855.00	
Discount Code				B	C	
10"	T-57 Plasgear®	3723100	1560.00	3725100	3283.00	
12"	T-57 Plasgear®	3723120	2428.00	3725120	4829.00	
14"	T-57 Plasgear®	3723140	7401.00	3725140	15999.00	
Metal Gear						
12"	T-57 Metal Gear	3789120	2091.00	3790120	4492.00	
14"	T-57 Metal Gear	3789140	7064.00	3790140	15663.00	
Discount Code				C	C	

Type-57 Butterfly Valves Wafer Style - Gear Operation						
Size	PVC Body PVDF Disc Wafer Style	Seat/Seals			Seat/Seals	
		EPDM	List Price	FKM	List Price	
		Part Number		Part Number		
1-1/2"	T-57 Plasgear®	3717015	636.00	3718015	881.00	
2"	T-57 Plasgear®	3717020	645.00	3718020	830.00	
2-1/2"	T-57 Plasgear®	3717025	691.00	3718025	1022.00	
3"	T-57 Plasgear®	3717030	702.00	3718030	935.00	
4"	T-57 Plasgear®	3717040	754.00	3718040	1050.00	
5"	T-57 Plasgear®	3717050	1057.00	3718050	2466.00	
6"	T-57 Plasgear®	3717060	1091.00	3718060	1596.00	
8"	T-57 Plasgear®	3717080	1449.00	3718080	2418.00	
10"	T-57 Plasgear®	3717100	2371.00	3718100	4277.00	
12"	T-57 Plasgear®	3717120	3612.00	3718120	6195.00	
14"	T-57 Plasgear®	3717140	8331.00	3718140	17506.00	
Metal Gear						
12"	T-57 Metal Gear	3791120	3277.00	3792120	5859.00	
14"	T-57 Metal Gear	3791140	7995.00	3792140	17170.00	
Discount Code				C	C	

Butterfly Valves



Type 57 Gear

Butterfly Valves Wafer Style - Gear Operation						
Size	PP Body PP Disc Wafer Style	Seat/Seals				
		EPDM	Nitrile	List Price	FKM	List Price
		Part Number	Part Number		Part Number	
1-1/2"	T-57 Plasgear®	3726015	3735015	1005.00	3727015	1094.00
2"	T-57 Plasgear®	3726020	3735020	1036.00	3727020	1122.00
2-1/2"	T-57 Plasgear®	3726025	3735025	1223.00	3727025	1394.00
3"	T-57 Plasgear®	3726030	3735030	1325.00	3727030	1430.00
4"	T-57 Plasgear®	3726040	3735040	1394.00	3727040	1502.00
5"	T-57 Plasgear®	3726050	3735050	1834.00	3727050	3501.00
6"	T-57 Plasgear®	3726060	3735060	2005.00	3727060	2780.00
8"	T-57 Plasgear®	3726080	3735080	2778.00	3727080	3094.00
10"	T-57 Plasgear®	3726100	3735100	3178.00	3727100	4267.00
12"	T-57 Plasgear®	3726120	3735120	4429.00	3727120	5961.00
14"	T-57 Plasgear®	3726140	3735140	7097.00	3727140	17176.00
16"	T-56 Plasgear®	3726160	3735160	10893.00	3727160	18077.00
Metal Gear						
12"	T-57 Metal Gear	3801120	3802120	4094.00	3803120	5626.00
14"	T-57 Metal Gear	3801140	3802140	6759.00	3803140	16840.00
16"	T-56 Metal Gear	3801160	3802160	10557.00	3803160	17742.00
18"	T-75 Metal Gear	3801180	3802180	13559.00	3803180	20670.00
20"	T-75 Metal Gear	3801200	3802200	15123.00	3803200	24580.00
24"	T-75 Metal Gear	3801240	3802240	21607.00	3803240	33015.00
Discount Code				C	C	

Butterfly Valves Wafer Style - Gear Operation					
Size	PP Body PVDF Disc Wafer Style	Seat/Seals			
		EPDM	List Price	FKM	List Price
		Part Number		Part Number	
1-1/2"	T-57 Plasgear®	3736015	1094.00	3737015	1187.00
2"	T-57 Plasgear®	3736020	1128.00	3737020	1213.00
2-1/2"	T-57 Plasgear®	3736025	1331.00	3737025	1503.00
3"	T-57 Plasgear®	3736030	1457.00	3737030	1561.00
4"	T-57 Plasgear®	3736040	1542.00	3737040	1649.00
5"	T-57 Plasgear®	3736050	2052.00	3737050	3721.00
6"	T-57 Plasgear®	3736060	2357.00	3737060	3132.00
8"	T-57 Plasgear®	3736080	3341.00	3737080	3656.00
10"	T-57 Plasgear®	3736100	4170.00	3737100	5260.00
12"	T-57 Plasgear®	3736120	5796.00	3737120	7327.00
14"	T-57 Plasgear®	3736140	8604.00	3737140	18683.00
16"	T-56 Plasgear®	3736160	13960.00	3737160	21144.00
Metal Gear					
12"	T-57 Metal Gear	3804120	5461.00	3805120	6990.00
14"	T-57 Metal Gear	3804140	8267.00	3805140	18349.00
16"	T-56 Metal Gear	3804160	13625.00	3805160	20808.00
18"	T-75 Metal Gear	3804180	17900.00	3805180	25014.00
20"	T-75 Metal Gear	3804200	21956.00	3805200	31412.00
24"	T-75 Metal Gear	3804240	28793.00	3805240	40200.00
Discount Code			C	C	

Butterfly Valves

Butterfly Valves Wafer Style - Gear Operation					
Size	PVDF Body PVDF Disc Wafer Style	Seat/Seals			
		EPDM	List Price	FKM	List Price
		Part Number		Part Number	
1-1/2"	T-57 Plasgear®	3728015	1304.00	3729015	1550.00
2"	T-57 Plasgear®	3728020	1344.00	3729020	1550.00
2-1/2"	T-57 Plasgear®	3728025	1486.00	3729025	1809.00
3"	T-57 Plasgear®	3728030	1637.00	3729030	1875.00
4"	T-57 Plasgear®	3728040	2213.00	3729040	2512.00
5"	T-57 Plasgear®	3728050	4044.00	3729050	4847.00
6"	T-57 Plasgear®	3728060	3877.00	3729060	4606.00
8"	T-57 Plasgear®	3728080	7189.00	3729080	7722.00
10"	T-57 Plasgear®	3728100	9411.00	3729100	11377.00
12"	T-57 Plasgear®	3728120	12195.00	3729120	14802.00
14"	T-57 Plasgear®	3728140	13827.00	3729140	20650.00
16"	T-56 Plasgear®	3728160	24315.00	3729160	33616.00
Metal Gear					
12"	T-57 Metal Gear	3806120	11859.00	3807120	14469.00
14"	T-57 Metal Gear	3806140	13492.00	3807140	20314.00
16"	T-56 Metal Gear	3806160	23979.00	3807160	33282.00
18"	T-75 Metal Gear	3806180	33340.00	3807180	41857.00
20"	T-75 Metal Gear	3806200	40673.00	3807200	58997.00
24"	T-75 Metal Gear	3806240	51137.00	3807240	65373.00
Discount Code			C	C	



Type-57 Gear



Type-57 IL
Lever

Type-57 Butterfly Valves Lug Style - Lever Operation			
Size	PVC Body PP Disc Lug Style	EPDM Seat/Seals	
		316 SS Lugs	List Price
		Part Number	
1-1/2"	T-57 Lever	3772015	749.00
2"	T-57 Lever	3772020	761.00
2-1/2"	T-57 Lever	3772025	798.00
3"	T-57 IL Lever	113772030	786.00
4"	T-57 IL Lever	113772040	1334.00
6"	T-57 IL Lever	113772060	1738.00
8"	T-57 IL Lever	113772080	2348.00
Discount Code			B

Type-57 Butterfly Valves Lug Style - Lever Operation			
Size	PVC Body PP Disc Lug Style	Nitrile Seat/Seals	
		316 SS Lugs	List Price
		Part Number	
1-1/2"	T-57 Lever	3873015	749.00
2"	T-57 Lever	3873020	761.00
2-1/2"	T-57 Lever	3873025	798.00
3"	T-57 IL Lever	113873030	786.00
4"	T-57 IL Lever	113873040	1334.00
6"	T-57 IL Lever	113873060	1738.00
8"	T-57 IL Lever	113873080	2348.00
Discount Code			B

Type-57 Butterfly Valves Lug Style - Lever Operation			
Size	PVC Body PP Disc Lug Style	FKM Seat/Seals	
		316 SS Lugs	List Price
		Part Number	
1-1/2"	T-57 Lever	3776015	779.00
2"	T-57 Lever	3776020	730.00
2-1/2"	T-57 Lever	3776025	900.00
3"	T-57 IL Lever	113776030	794.00
4"	T-57 IL Lever	113776040	1245.00
6"	T-57 IL Lever	113776060	1749.00
8"	T-57 IL Lever	113776080	2449.00
Discount Code			C

Type-57 Butterfly Valves Lug Style - Lever Operation			
Size	PVC Body PVC Disc Lug Style	EPDM Seat/Seals	
		316 SS Lugs	List Price
		Part Number	
1-1/2"	T-57 Lever	3780015	780.00
2"	T-57 Lever	3780020	801.00
2-1/2"	T-57 Lever	3780025	840.00
3"	T-57 IL Lever	113780030	841.00
4"	T-57 IL Lever	113780040	1394.00
6"	T-57 IL Lever	113780060	1836.00
8"	T-57 IL Lever	113780080	2470.00
Discount Code			B



Type-57 IL Lever

Type-57 Butterfly Valves Lug Style - Lever Operation			
Size	PVC Body PVC Disc Lug Style	Nitrile Seat/Seals	
		316 SS Lugs	List Price
		Part Number	
1-1/2"	T-57 Lever	3875015	780.00
2"	T-57 Lever	3875020	801.00
2-1/2"	T-57 Lever	3875025	840.00
3"	T-57 IL Lever	113875030	841.00
4"	T-57 IL Lever	113875040	1394.00
6"	T-57 IL Lever	113875060	1836.00
8"	T-57 IL Lever	113875080	2470.00
Discount Code			B

Type-57 Butterfly Valves Lug Style - Lever Operation			
Size	PVC Body PVC Disc Lug Style	FKM Seat/Seals	
		316 SS Lugs	List Price
		Part Number	
1-1/2"	T-57 Lever	3784015	779.00
2"	T-57 Lever	3784020	730.00
2-1/2"	T-57 Lever	3784025	900.00
3"	T-57 IL Lever	113784030	794.00
4"	T-57 IL Lever	113784040	1245.00
6"	T-57 IL Lever	113784060	1749.00
8"	T-57 IL Lever	113784080	2449.00
Discount Code			C

Butterfly Valves



Type-57 IL
Lever

Type-57 Butterfly Valves Lug Style - Lever Operation			
Size	PVC Body PVDF Disc Lug Style	EPDM Seat/Seals	
		316 SS Lugs	List Price
		Part Number	
1-1/2"	T-57 Lever	3857015	625.00
2"	T-57 Lever	3857020	635.00
2-1/2"	T-57 Lever	3857025	679.00
3"	T-57 IL Lever	113857030	693.00
4"	T-57 IL Lever	113857040	1101.00
6"	T-57 IL Lever	113857060	1592.00
8"	T-57 IL Lever	113857080	2242.00
Discount Code			C

Type-57 Butterfly Valves Lug Style - Lever Operation			
Size	PVC Body PVDF Disc Lug Style	FKM Seat/Seals	
		316 SS Lugs	List Price
		Part Number	
1-1/2"	T-57 Lever	3859015	870.00
2"	T-57 Lever	3859020	820.00
2-1/2"	T-57 Lever	3859025	1010.00
3"	T-57 IL Lever	113859030	924.00
4"	T-57 IL Lever	113859040	1394.00
6"	T-57 IL Lever	113859060	2098.00
8"	T-57 IL Lever	113859080	3012.00
Discount Code			C



Type-57
Lug
Lever

Butterfly Valves

Type-57 Butterfly Valves Lug Style - Lever Operation					
Size	PP Body PP Disc Lug Style	EPDM Seat/Seals			
		304 SS Lugs	List Price	316 SS Lugs	List Price
		Part Number		Part Number	
1-1/2"	T-57 Lever	3860015	912.00	3861015	994.00
2"	T-57 Lever	3860020	942.00	3861020	1025.00
2-1/2"	T-57 Lever	3860025	1129.00	3861025	1211.00
3"	T-57 Lever	3860030	1231.00	3861030	1314.00
4"	T-57 Lever	3860040	1561.00	3861040	1738.00
6"	T-57 Lever	3860060	2312.00	3861060	2506.00
8"	T-57 Lever	3860080	3128.00	3861080	3570.00
Discount Code			C	C	

Type-57 Butterfly Valves Lug Style - Lever Operation					
Size	PP Body PP Disc Lug Style	FKM Seat/Seals			
		304 SS Lugs	List Price	316 SS Lugs	List Price
		Part Number		Part Number	
1-1/2"	T-57 Lever	3862015	1000.00	3863015	1086.00
2"	T-57 Lever	3862020	1028.00	3863020	1112.00
2-1/2"	T-57 Lever	3862025	1299.00	3863025	1384.00
3"	T-57 Lever	3862030	1338.00	3863030	1421.00
4"	T-57 Lever	3862040	1670.00	3863040	1847.00
6"	T-57 Lever	3862060	3085.00	3863060	3281.00
8"	T-57 Lever	3862080	3465.00	3863080	3907.00
Discount Code			C	C	

Type-57 Butterfly Valves Lug Style - Lever Operation					
Size	PP Body PVDF Disc Lug Style	EPDM Seat/Seals			
		304 SS Lugs	List Price	316 SS Lugs	List Price
		Part Number		Part Number	
1-1/2"	T-57 Lever	3864015	1000.00	3865015	1086.00
2"	T-57 Lever	3864020	1031.00	3865020	1115.00
2-1/2"	T-57 Lever	3864025	1237.00	3865025	1320.00
3"	T-57 Lever	3864030	1362.00	3865030	1446.00
4"	T-57 Lever	3864040	1710.00	3865040	1886.00
6"	T-57 Lever	3864060	2663.00	3865060	2859.00
8"	T-57 Lever	3864080	3690.00	3865080	4133.00
Discount Code			C	C	

Type-57 Butterfly Valves Lug Style - Lever Operation					
Size	PP Body PVDF Disc Lug Style	FKM Seat/Seals			
		304 SS Lugs	List Price	316 SS Lugs	List Price
		Part Number		Part Number	
1-1/2"	T-57 Lever	3866015	1091.00	3867015	1175.00
2"	T-57 Lever	3866020	1120.00	3867020	1204.00
2-1/2"	T-57 Lever	3866025	1411.00	3867025	1495.00
3"	T-57 Lever	3866030	1468.00	3867030	1552.00
4"	T-57 Lever	3866040	1817.00	3867040	1994.00
6"	T-57 Lever	3866060	3438.00	3867060	3633.00
8"	T-57 Lever	3866080	4026.00	3867080	4469.00
Discount Code			C	C	



Type-57
Lug
Lever

Type-57 Butterfly Valves Lug Style - Lever Operation					
Size	PVDF Body PVDF Disc Lug Style	EPDM Seat/Seals			
		304 SS Lugs	List Price	316 SS Lugs	List Price
		Part Number		Part Number	
1-1/2"	T-57 Lever	3868015	1209.00	3869015	1293.00
2"	T-57 Lever	3868020	1253.00	3869020	1336.00
2-1/2"	T-57 Lever	3868025	1394.00	3869025	1477.00
3"	T-57 Lever	3868030	1545.00	3869030	1629.00
4"	T-57 Lever	3868040	2381.00	3869040	2557.00
6"	T-57 Lever	3868060	4045.00	3869060	4376.00
8"	T-57 Lever	3868080	7633.00	3869080	7930.00
Discount Code			C	C	

Type-57 Butterfly Valves Lug Style - Lever Operation					
Size	PVDF Body PVDF Disc Lug Style	FKM Seat/Seals			
		304 SS Lugs	List Price	316 SS Lugs	List Price
		Part Number		Part Number	
1-1/2"	T-57 Lever	3870015	1457.00	3871015	1541.00
2"	T-57 Lever	3870020	1457.00	3871020	1541.00
2-1/2"	T-57 Lever	3870025	1717.00	3871025	1801.00
3"	T-57 Lever	3870030	1783.00	3871030	1866.00
4"	T-57 Lever	3870040	2681.00	3871040	2859.00
6"	T-57 Lever	3870060	4774.00	3871060	5107.00
8"	T-57 Lever	3870080	8164.00	3871080	8460.00
Discount Code			C	C	

Type-57 Butterfly Valves Lug Style - Gear Operation			
Size	PVC Body PP Disc Lug Style	EPDM Seat/Seals	
		316 SS Lugs	List Price
		Part Number	
1-1/2"	T-57 Plasgear®	3773015	1235.00
2"	T-57 Plasgear®	3773020	1244.00
2-1/2"	T-57 Plasgear®	3773025	1281.00
3"	T-57 IL Plasgear®	113773030	1272.00
4"	T-57 IL Plasgear®	113773040	1818.00
6"	T-57 IL Plasgear®	113773060	2222.00
8"	T-57 IL Plasgear®	113773080	2568.00
Discount Code			B
10"	T-57 IL Plasgear®	113773100	3265.00
12"	T-57 IL Plasgear®	113773120	4134.00
14"	T-57 Plasgear®	3773140	9563.00
Discount Code			C



Type-57 IL Gear

Type-57 Butterfly Valves Lug Style - Gear Operation			
Size	PVC Body PP Disc Lug Style	Nitrile Seat/Seals	
		316 SS Lugs	List Price
		Part Number	
1-1/2"	T-57 Plasgear®	3825015	1235.00
2"	T-57 Plasgear®	3825020	1244.00
2-1/2"	T-57 Plasgear®	3825025	1281.00
3"	T-57 IL Plasgear®	113825030	1272.00
4"	T-57 IL Plasgear®	113825040	1818.00
6"	T-57 IL Plasgear®	113825060	2222.00
8"	T-57 IL Plasgear®	113825080	2568.00
Discount Code			B
10"	T-57 IL Plasgear®	113825100	3265.00
12"	T-57 IL Plasgear®	113825120	4134.00
14"	T-57 Plasgear®	3825140	9563.00
Discount Code			C

Type-57 Butterfly Valves Lug Style - Gear Operation			
Size	PVC Body PP Disc Lug Style	FKM Seat/Seals	
		316 SS Lugs	List Price
		Part Number	
1-1/2"	T-57 Plasgear®	3777015	1125.00
2"	T-57 Plasgear®	3777020	1075.00
2-1/2"	T-57 Plasgear®	3777025	1248.00
3"	T-57 IL Plasgear®	113777030	1141.00
4"	T-57 IL Plasgear®	113777040	1592.00
6"	T-57 IL Plasgear®	113777060	2092.00
8"	T-57 IL Plasgear®	113777080	2803.00
10"	T-57 IL Plasgear®	113777100	5170.00
12"	T-57 IL Plasgear®	113777120	6715.00
14"	T-57 Plasgear®	3777140	18738.00
Discount Code			C

Butterfly Valves



Type-57 IL
Gear

Type-57 Butterfly Valves Lug Style - Gear Operation			
Size	PVC Body PVC Disc Lug Style	EPDM Seat/Seals	
		316 SS Lugs	List Price
		Part Number	
1-1/2"	T-57 Plasgear®	3781015	1264.00
2"	T-57 Plasgear®	3781020	1286.00
2-1/2"	T-57 Plasgear®	3781025	1325.00
3"	T-57 IL Plasgear®	113781030	1326.00
4"	T-57 IL Plasgear®	113781040	1881.00
6"	T-57 IL Plasgear®	113781060	2320.00
8"	T-57 IL Plasgear®	113781080	2689.00
Discount Code			B
10"	T-57 IL Plasgear®	113781100	3419.00
12"	T-57 IL Plasgear®	113781120	4316.00
14"	T-57 Plasgear®	3781140	10138.00
Discount Code			C

Type-57 Butterfly Valves Lug Style - Gear Operation			
Size	PVC Body PVC Disc Lug Style	Nitrile Seat/Seals	
		316 SS Lugs	List Price
		Part Number	
1-1/2"	T-57 Plasgear®	3829015	1264.00
2"	T-57 Plasgear®	3829020	1286.00
2-1/2"	T-57 Plasgear®	3829025	1325.00
3"	T-57 IL Plasgear®	113829030	1326.00
4"	T-57 IL Plasgear®	113829040	1881.00
6"	T-57 IL Plasgear®	113829060	2320.00
8"	T-57 IL Plasgear®	113829080	2689.00
Discount Code			B
10"	T-57 IL Plasgear®	113829100	3419.00
12"	T-57 IL Plasgear®	113829120	4316.00
14"	T-57 Plasgear®	3829140	10138.00
Discount Code			C

Type-57 Butterfly Valves Lug Style - Gear Operation			
Size	PVC Body PVC Disc Lug Style	FKM Seat/Seals	
		316 SS Lugs	List Price
		Part Number	
1-1/2"	T-57 Plasgear®	3785015	1156.00
2"	T-57 Plasgear®	3785020	1115.00
2-1/2"	T-57 Plasgear®	3785025	1290.00
3"	T-57 IL Plasgear®	113785030	1194.00
4"	T-57 IL Plasgear®	113785040	1651.00
6"	T-57 IL Plasgear®	113785060	2191.00
8"	T-57 IL Plasgear®	113785080	2925.00
10"	T-57 IL Plasgear®	113785100	5324.00
12"	T-57 IL Plasgear®	113785120	6895.00
14"	T-57 Plasgear®	3785140	19311.00
Discount Code			C

Butterfly Valves

Type-57 Butterfly Valves Lug Style - Gear Operation			
Size	PVC Body PVDF Disc Lug Style	EPDM Seat/Seals	
		316 SS Lugs	List Price
		Part Number	
1-1/2"	T-57 Plasgear®	3817015	973.00
2"	T-57 Plasgear®	3817020	980.00
2-1/2"	T-57 Plasgear®	3817025	1025.00
3"	T-57 IL Plasgear®	113817030	1039.00
4"	T-57 IL Plasgear®	113817040	1447.00
6"	T-57 IL Plasgear®	113817060	1939.00
8"	T-57 IL Plasgear®	113817080	2397.00
Discount Code			C
10"	T-57 IL Plasgear®	113817100	4256.00
12"	T-57 IL Plasgear®	113817120	5500.00
14"	T-57 Plasgear®	3817140	11070.00
Discount Code			C



Type-57 IL Gear

Type-57 Butterfly Valves Lug Style - Gear Operation			
Size	PVC Body PVDF Disc Lug Style	FKM Seat/Seals	
		316 SS Lugs	List Price
		Part Number	
1-1/2"	T-57 Plasgear®	3819015	1216.00
2"	T-57 Plasgear®	3819020	1166.00
2-1/2"	T-57 Plasgear®	3819025	1358.00
3"	T-57 IL Plasgear®	113819030	1272.00
4"	T-57 IL Plasgear®	113819040	1740.00
6"	T-57 IL Plasgear®	113819060	2445.00
8"	T-57 IL Plasgear®	113819080	3365.00
10"	T-57 IL Plasgear®	113819100	6163.00
12"	T-57 IL Plasgear®	113819120	8081.00
14"	T-57 Plasgear®	3819140	20245.00
Discount Code			C

Butterfly Valves



Type-57
Lug
Gear

Butterfly Valves Lug Style - Gear Operation					
Size	PP Body PP Disc Lug Style	EPDM Seat/Seals			
		304 SS Lugs	List Price	316 SS Lugs	List Price
		Part Number		Part Number	
1-1/2"	T-57 Plasgear®	3832015	1256.00	3833015	1340.00
2"	T-57 Plasgear®	3832020	1289.00	3833020	1373.00
2-1/2"	T-57 Plasgear®	3832025	1474.00	3833025	1558.00
3"	T-57 Plasgear®	3832030	1579.00	3833030	1663.00
4"	T-57 Plasgear®	3832040	1908.00	3833040	2085.00
6"	T-57 Plasgear®	3832060	2656.00	3833060	2855.00
8"	T-57 Plasgear®	3832080	3429.00	3833080	3726.00
10"	T-57 Plasgear®	3832100	4626.00	3833100	5065.00
12"	T-57 Plasgear®	3832120	5879.00	3833120	6317.00
14"	T-57 Plasgear®	3832140	9204.00	3833140	9835.00
16"	T-56 Plasgear®	3832160	12999.00	3833160	13630.00
Metal Gear					
12"	T-57 Metal Gear	3840120	5544.00	3841120	5980.00
14"	T-57 Metal Gear	3840140	8869.00	3841140	9497.00
16"	T-56 Metal Gear	3840160	12666.00	3841160	13295.00
18"	T-75 Metal Gear	3840180	15950.00	3841180	16429.00
20"	T-75 Metal Gear	3840200	18511.00	3841200	19528.00
24"	T-75 Metal Gear	3840240	24997.00	3841240	26011.00
Discount Code			C	C	

Butterfly Valves Lug Style - Gear Operation					
Size	PP Body PP Disc Lug Style	FKM Seat/Seals			
		304 SS Lugs	List Price	316 SS Lugs	List Price
		Part Number		Part Number	
1-1/2"	T-57 Plasgear®	3834015	1347.00	3835015	1430.00
2"	T-57 Plasgear®	3834020	1376.00	3835020	1459.00
2-1/2"	T-57 Plasgear®	3834025	1646.00	3835025	1729.00
3"	T-57 Plasgear®	3834030	1684.00	3835030	1768.00
4"	T-57 Plasgear®	3834040	2018.00	3835040	2194.00
6"	T-57 Plasgear®	3834060	3431.00	3835060	3627.00
8"	T-57 Plasgear®	3834080	3746.00	3835080	4044.00
10"	T-57 Plasgear®	3834100	5715.00	3835100	6155.00
12"	T-57 Plasgear®	3834120	7410.00	3835120	7847.00
14"	T-57 Plasgear®	3834140	19286.00	3835140	19915.00
16"	T-56 Plasgear®	3834160	20186.00	3835160	20814.00
Metal Gear					
12"	T-57 Metal Gear	3842120	7073.00	3843120	7512.00
14"	T-57 Metal Gear	3842140	18949.00	3843140	19578.00
16"	T-56 Metal Gear	3842160	19851.00	3843160	20479.00
18"	T-75 Metal Gear	3842180	23064.00	3843180	23541.00
20"	T-75 Metal Gear	3842200	27967.00	3843200	28984.00
24"	T-75 Metal Gear	3842240	36404.00	3843240	37419.00
Discount Code			C	C	

Butterfly Valves



**Type-57
Lug
Gear**

Butterfly Valves Lug Style - Gear Operation					
Size	PP Body PVDF Disc Lug Style	EPDM Seat/Seals			
		304 SS Lugs	List Price	316 SS Lugs	List Price
		Part Number		Part Number	
1-1/2"	T-57 Plasgear®	3836015	1347.00	3837015	1430.00
2"	T-57 Plasgear®	3836020	1379.00	3837020	1463.00
2-1/2"	T-57 Plasgear®	3836025	1585.00	3837025	1668.00
3"	T-57 Plasgear®	3836030	1710.00	3837030	1792.00
4"	T-57 Plasgear®	3836040	2055.00	3837040	2233.00
6"	T-57 Plasgear®	3836060	3009.00	3837060	3205.00
8"	T-57 Plasgear®	3836080	3991.00	3837080	4287.00
10"	T-57 Plasgear®	3836100	5616.00	3837100	6056.00
12"	T-57 Plasgear®	3836120	7244.00	3837120	7683.00
14"	T-57 Plasgear®	3836140	10713.00	3837140	11342.00
16"	T-56 Plasgear®	3836160	16308.00	3837160	16698.00
Metal Gear					
12"	T-57 Metal Gear	3844120	6907.00	3845120	7347.00
14"	T-57 Metal Gear	3844140	10377.00	3845140	11006.00
16"	T-56 Metal Gear	3844160	15733.00	3845160	16362.00
18"	T-75 Metal Gear	3844180	20294.00	3845180	20770.00
20"	T-75 Metal Gear	3844200	25346.00	3845200	26363.00
24"	T-75 Metal Gear	3844240	32183.00	3845240	33199.00
Discount Code			C	C	

Butterfly Valves Lug Style - Gear Operation					
Size	PP Body PVDF Disc Lug Style	FKM Seat/Seals			
		304 SS Lugs	List Price	316 SS Lugs	List Price
		Part Number		Part Number	
1-1/2"	T-57 Plasgear®	3838015	1439.00	3839015	1520.00
2"	T-57 Plasgear®	3838020	1467.00	3839020	1550.00
2-1/2"	T-57 Plasgear®	3838025	1756.00	3839025	1839.00
3"	T-57 Plasgear®	3838030	1815.00	3839030	1898.00
4"	T-57 Plasgear®	3838040	2165.00	3839040	2340.00
6"	T-57 Plasgear®	3838060	3782.00	3839060	3978.00
8"	T-57 Plasgear®	3838080	4308.00	3839080	4606.00
10"	T-57 Plasgear®	3838100	6707.00	3839100	7147.00
12"	T-57 Plasgear®	3838120	8775.00	3839120	9213.00
14"	T-57 Plasgear®	3838140	20792.00	3839140	21421.00
16"	T-56 Plasgear®	3838160	23253.00	3839160	23881.00
Metal Gear					
12"	T-57 Metal Gear	3846120	8438.00	3847120	8877.00
14"	T-57 Metal Gear	3846140	20456.00	3847140	21088.00
16"	T-56 Metal Gear	3846160	22917.00	3847160	23545.00
18"	T-75 Metal Gear	3846180	27406.00	3847180	27883.00
20"	T-75 Metal Gear	3846200	34802.00	3847200	35817.00
24"	T-75 Metal Gear	3846240	43590.00	3847240	44604.00
Discount Code			C	C	

Butterfly Valves



**Type-57
Lug
Gear**

Butterfly Valves Lug Style - Gear Operation					
Size	PVDF Body PVDF Disc Lug Style	EPDM Seat/Seals			
		304 SS Lugs	List Price	316 SS Lugs	List Price
		Part Number		Part Number	
1-1/2"	T-57 Plasgear®	3848015	1556.00	3849015	1639.00
2"	T-57 Plasgear®	3848020	1599.00	3849020	1682.00
2-1/2"	T-57 Plasgear®	3848025	1740.00	3849025	1823.00
3"	T-57 Plasgear®	3848030	1890.00	3849030	1974.00
4"	T-57 Plasgear®	3848040	2727.00	3849040	2903.00
6"	T-57 Plasgear®	3848060	4529.00	3849060	4724.00
8"	T-57 Plasgear®	3848080	7843.00	3849080	8138.00
10"	T-57 Plasgear®	3848100	10859.00	3849100	11297.00
12"	T-57 Plasgear®	3848120	13644.00	3849120	14082.00
14"	T-57 Plasgear®	3848140	15936.00	3849140	16566.00
16"	T-56 Plasgear®	3848160	26422.00	3849160	27052.00
Metal Gear					
12"	T-57 Metal Gear	3852120	13308.00	3853120	13745.00
14"	T-57 Metal Gear	3852140	15600.00	3853140	16230.00
16"	T-56 Metal Gear	3852160	26088.00	3853160	26717.00
18"	T-75 Metal Gear	3852180	35733.00	3853180	36211.00
20"	T-75 Metal Gear	3852200	42736.00	3853200	42736.00
24"	T-75 Metal Gear	3852240	54527.00	3853240	54527.00
Discount Code			C	C	

Butterfly Valves Lug Style - Gear Operation					
Size	PVDF Body PVDF Disc Lug Style	FKM Seat/Seals			
		304 SS Lugs	List Price	316 SS Lugs	List Price
		Part Number		Part Number	
1-1/2"	T-57 Plasgear®	3850015	1803.00	3851015	1886.00
2"	T-57 Plasgear®	3850020	1803.00	3851020	1886.00
2-1/2"	T-57 Plasgear®	3850025	2063.00	3851025	2147.00
3"	T-57 Plasgear®	3850030	2129.00	3851030	2213.00
4"	T-57 Plasgear®	3850040	3028.00	3851040	3205.00
6"	T-57 Plasgear®	3850060	5258.00	3851060	5451.00
8"	T-57 Plasgear®	3850080	8374.00	3851080	8670.00
10"	T-57 Plasgear®	3850100	12825.00	3851100	13263.00
12"	T-57 Plasgear®	3850120	16253.00	3851120	16690.00
14"	T-57 Plasgear®	3850140	22759.00	3851140	23390.00
16"	T-56 Plasgear®	3850160	35726.00	3851160	36355.00
Metal Gear					
12"	T-57 Metal Gear	3854120	15915.00	3855120	16354.00
14"	T-57 Metal Gear	3854140	22422.00	3855140	23052.00
16"	T-56 Metal Gear	3854160	35392.00	3855160	36022.00
18"	T-75 Metal Gear	3854180	44726.00	3855180	44726.00
20"	T-75 Metal Gear	3854200	63402.00	3855200	63402.00
24"	T-75 Metal Gear	3854240	69777.00	3855240	69777.00
Discount Code			C	C	

Butterfly Valves



Lever-Wafer



Lever-Lug

Type-57 LIS Butterfly Valves Wafer or Lug Style - Lever Operation					
Size	PVC Body PP Disc Wafer or Lug Style	EPDM Seat/Seals			
		Wafer	List Price	316 SS Lugs	List Price
		Part Number		Part Number	
3"	T-57 LIS Lever	3930030	261.00	3972030	657.00
4"	T-57 LIS Lever	3930040	305.00	3972040	1112.00
6"	T-57 LIS Lever	3930060	458.00	3972060	1448.00
8"	T-57 LIS Lever	3930080	852.00	3972080	1957.00
Discount Code			M	M	

Type-57 LIS Butterfly Valves Wafer or Lug Style - Lever Operation					
Size	PVC Body PP Disc Wafer or Lug Style	Nitrile Seat/Seals			
		Wafer	List Price	316 SS Lugs	List Price
		Part Number		Part Number	
3"	T-57 LIS Lever	3932030	261.00	3986030	657.00
4"	T-57 LIS Lever	3932040	305.00	3986040	1112.00
6"	T-57 LIS Lever	3932060	458.00	3986060	1448.00
8"	T-57 LIS Lever	3932080	852.00	3986080	1957.00
Discount Code			M	M	

Type-57 LIS Butterfly Valves Wafer or Lug Style - Lever Operation					
Size	PVC Body PP Disc Wafer or Lug Style	FKM Seat/Seals			
		Wafer	List Price	316 SS Lugs	List Price
		Part Number		Part Number	
3"	T-57 LIS Lever	3931030	533.00	3976030	926.00
4"	T-57 LIS Lever	3931040	649.00	3976040	1453.00
6"	T-57 LIS Lever	3931060	1050.00	3976060	2040.00
8"	T-57 LIS Lever	3931080	1753.00	3976080	2858.00
Discount Code			M	M	

Direct Replacement for ISO-5752 Short Pattern Metal Butterfly Valves

Butterfly Valves



Lever-Wafer



Lever-Lug

Type-57 LIS Butterfly Valves Wafer or Lug Style - Lever Operation					
Size	PVC Body PVC Disc Wafer or Lug Style	EPDM Seat/Seals			
		Wafer	List Price	316 SS Lugs	List Price
		Part Number		Part Number	
3"	T-57 LIS Lever	3922030	261.00	3980030	657.00
4"	T-57 LIS Lever	3922040	305.00	3980040	1112.00
6"	T-57 LIS Lever	3922060	458.00	3980060	1448.00
8"	T-57 LIS Lever	3922080	852.00	3980080	1957.00
Discount Code			M	M	

Type-57 LIS Butterfly Valves Wafer or Lug Style - Lever Operation					
Size	PVC Body PVC Disc Wafer or Lug Style	Nitrile Seat/Seals			
		Wafer	List Price	316 SS Lugs	List Price
		Part Number		Part Number	
3"	T-57 LIS Lever	3926030	261.00	3927030	657.00
4"	T-57 LIS Lever	3926040	305.00	3927040	1112.00
6"	T-57 LIS Lever	3926060	458.00	3927060	1448.00
8"	T-57 LIS Lever	3926080	852.00	3927080	1957.00
Discount Code			M	M	

Type-57 LIS Butterfly Valves Wafer or Lug Style - Lever Operation					
Size	PVC Body PVC Disc Wafer or Lug Style	FKM Seat/Seals			
		Wafer	List Price	316 SS Lugs	List Price
		Part Number		Part Number	
3"	T-57 LIS Lever	3924030	533.00	3928030	926.00
4"	T-57 LIS Lever	3924040	649.00	3928040	1453.00
6"	T-57 LIS Lever	3924060	1050.00	3928060	2040.00
8"	T-57 LIS Lever	3924080	1753.00	3928080	2858.00
Discount Code			M	M	

Butterfly Valves

Direct Replacement for ISO-5752 Short Pattern Metal Butterfly Valves



Lever-Wafer



Lever-Lug

Type-57 LIS Butterfly Valves Wafer or Lug Style - Lever Operation					
Size	PVC Body CPVC Disc Wafer or Lug Style	EPDM Seat/Seals			
		Wafer	List Price	316 SS Lugs	List Price
		Part Number		Part Number	
3"	T-57 LIS Lever	3987030	276.00	3935030	690.00
4"	T-57 LIS Lever	3987040	323.00	3935040	1168.00
6"	T-57 LIS Lever	3987060	483.00	3935060	1520.00
8"	T-57 LIS Lever	3987080	896.00	3935080	2055.00
Discount Code			M	M	

Type-57 LIS Butterfly Valves Wafer or Lug Style - Lever Operation					
Size	PVC Body CPVC Disc Wafer or Lug Style	Nitrile Seat/Seals			
		Wafer	List Price	316 SS Lugs	List Price
		Part Number		Part Number	
3"	T-57 LIS Lever	3936030	276.00	3937030	690.00
4"	T-57 LIS Lever	3936040	323.00	3937040	1168.00
6"	T-57 LIS Lever	3936060	483.00	3937060	1520.00
8"	T-57 LIS Lever	3936080	896.00	3937080	2055.00
Discount Code			M	M	

Type-57 LIS Butterfly Valves Wafer or Lug Style - Lever Operation					
Size	PVC Body CPVC Disc Wafer or Lug Style	FKM Seat/Seals			
		Wafer	List Price	316 SS Lugs	List Price
		Part Number		Part Number	
3"	T-57 LIS Lever	3982030	561.00	3938030	972.00
4"	T-57 LIS Lever	3982040	684.00	3938040	1527.00
6"	T-57 LIS Lever	3982060	1105.00	3938060	2142.00
8"	T-57 LIS Lever	3982080	1844.00	3938080	3000.00
Discount Code			M	M	

Direct Replacement for ISO-5752 Short Pattern Metal Butterfly Valves

Butterfly Valves



Lever-Wafer



Lever-Lug

Type-57 LIS Butterfly Valves Wafer or Lug Style - Lever Operation					
Size	PVC Body PVDF Disc Wafer or Lug Style	EPDM Seat/Seals			
		Wafer	List Price	316 SS Lugs	List Price
		Part Number		Part Number	
3"	T-57 LIS Lever	3933030	417.00	3957030	809.00
4"	T-57 LIS Lever	3933040	478.00	3957040	1283.00
6"	T-57 LIS Lever	3933060	869.00	3957060	1856.00
8"	T-57 LIS Lever	3933080	1508.00	3957080	2615.00
Discount Code			M	M	

Type-57 LIS Butterfly Valves Wafer or Lug Style - Lever Operation					
Size	PVC Body PVDF Disc Wafer or Lug Style	Nitrile Seat/Seals			
		Wafer	List Price	316 SS Lugs	List Price
		Part Number		Part Number	
3"	T-57 LIS Lever	3939030	417.00	3940030	809.00
4"	T-57 LIS Lever	3939040	478.00	3940040	1283.00
6"	T-57 LIS Lever	3939060	869.00	3940060	1856.00
8"	T-57 LIS Lever	3939080	1508.00	3940080	2615.00
Discount Code			M	M	

Type-57 LIS Butterfly Valves Wafer or Lug Style - Lever Operation					
Size	PVC Body PVDF Disc Wafer or Lug Style	FKM Seat/Seals			
		Wafer	List Price	316 SS Lugs	List Price
		Part Number		Part Number	
3"	T-57 LIS Lever	3934030	687.00	3959030	1079.00
4"	T-57 LIS Lever	3934040	820.00	3959040	1629.00
6"	T-57 LIS Lever	3934060	1459.00	3959060	2449.00
8"	T-57 LIS Lever	3934080	2411.00	3959080	3514.00
Discount Code			M	M	

Butterfly Valves

Direct Replacement for ISO-5752 Short Pattern Metal Butterfly Valves



Gear-Wafer



Gear-Lug

Type-57 LIS Butterfly Valves Wafer or Lug Style - Gear Operation					
Size	PVC Body PP Disc Wafer or Lug Style	EPDM Seat/Seals			
		Wafer	List Price	316 SS Lugs	List Price
		Part Number		Part Number	
3"	T-57 LIS Plasgear®	3919030	666.00	3973030	1059.00
4"	T-57 LIS Plasgear®	3919040	708.00	3973040	1515.00
6"	T-57 LIS Plasgear®	3919060	863.00	3973060	1852.00
8"	T-57 LIS Plasgear®	3919080	1034.00	3973080	2140.00
Discount Code			M	M	

Type-57 LIS Butterfly Valves Wafer or Lug Style - Gear Operation					
Size	PVC Body PP Disc Wafer or Lug Style	Nitrile Seat/Seals			
		Wafer	List Price	316 SS Lugs	List Price
		Part Number		Part Number	
3"	T-57 LIS Plasgear®	3921030	666.00	3941030	1059.00
4"	T-57 LIS Plasgear®	3921040	708.00	3941040	1515.00
6"	T-57 LIS Plasgear®	3921060	863.00	3941060	1852.00
8"	T-57 LIS Plasgear®	3921080	1034.00	3941080	2140.00
Discount Code			M	M	

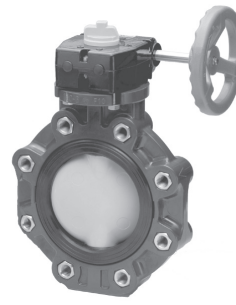
Type-57 LIS Butterfly Valves Wafer or Lug Style - Gear Operation					
Size	PVC Body PP Disc Wafer or Lug Style	FKM Seat/Seals			
		Wafer	List Price	316 SS Lugs	List Price
		Part Number		Part Number	
3"	T-57 LIS Plasgear®	3920030	938.00	3977030	1331.00
4"	T-57 LIS Plasgear®	3920040	1051.00	3977040	1856.00
6"	T-57 LIS Plasgear®	3920060	1453.00	3977060	2442.00
8"	T-57 LIS Plasgear®	3920080	2165.00	3977080	3270.00
Discount Code			M	M	

Direct Replacement for ISO-5752 Short Pattern Metal Butterfly Valves

Butterfly Valves



Gear-Wafer



Gear-Lug

Type-57 LIS Butterfly Valves Wafer or Lug Style - Gear Operation					
Size	PVC Body PVC Disc Wafer or Lug Style	EPDM Seat/Seals			
		Wafer	List Price	316 SS Lugs	List Price
		Part Number		Part Number	
3"	T-57 LIS Plasgear®	3923030	666.00	3981030	1059.00
4"	T-57 LIS Plasgear®	3923040	708.00	3981040	1515.00
6"	T-57 LIS Plasgear®	3923060	863.00	3981060	1852.00
8"	T-57 LIS Plasgear®	3923080	1034.00	3981080	2140.00
Discount Code			M	M	

Type-57 LIS Butterfly Valves Wafer or Lug Style - Gear Operation					
Size	PVC Body PVC Disc Wafer or Lug Style	Nitrile Seat/Seals			
		Wafer	List Price	316 SS Lugs	List Price
		Part Number		Part Number	
3"	T-57 LIS Plasgear®	3942030	666.00	3929030	1059.00
4"	T-57 LIS Plasgear®	3942040	708.00	3929040	1515.00
6"	T-57 LIS Plasgear®	3942060	863.00	3929060	1852.00
8"	T-57 LIS Plasgear®	3942080	1034.00	3929080	2140.00
Discount Code			M	M	

Type-57 LIS Butterfly Valves Wafer or Lug Style - Gear Operation					
Size	PVC Body PVC Disc Wafer or Lug Style	FKM Seat/Seals			
		Wafer	List Price	316 SS Lugs	List Price
		Part Number		Part Number	
3"	T-57 LIS Plasgear®	3925030	938.00	3985030	1331.00
4"	T-57 LIS Plasgear®	3925040	1051.00	3985040	1856.00
6"	T-57 LIS Plasgear®	3925060	1453.00	3985060	2442.00
8"	T-57 LIS Plasgear®	3925080	2165.00	3985080	3270.00
Discount Code			M	M	

Butterfly Valves

Direct Replacement for ISO-5752 Short Pattern Metal Butterfly Valves



Gear-Wafer



Gear-Lug

Type-57 LIS Butterfly Valves Wafer or Lug Style - Gear Operation					
Size	PVC Body CPVC Disc Wafer or Lug Style	EPDM Seat/Seals			
		Wafer	List Price	316 SS Lugs	List Price
		Part Number		Part Number	
3"	T-57 LIS Plasgear®	3983030	701.00	3943030	1113.00
4"	T-57 LIS Plasgear®	3983040	747.00	3943040	1592.00
6"	T-57 LIS Plasgear®	3983060	908.00	3943060	1945.00
8"	T-57 LIS Plasgear®	3983080	1088.00	3943080	2248.00
Discount Code			M	M	

Type-57 LIS Butterfly Valves Wafer or Lug Style - Gear Operation					
Size	PVC Body CPVC Disc Wafer or Lug Style	Nitrile Seat/Seals			
		Wafer	List Price	316 SS Lugs	List Price
		Part Number		Part Number	
3"	T-57 LIS Plasgear®	3944030	701.00	3945030	1113.00
4"	T-57 LIS Plasgear®	3944040	747.00	3945040	1592.00
6"	T-57 LIS Plasgear®	3944060	908.00	3945060	1945.00
8"	T-57 LIS Plasgear®	3944080	1088.00	3945080	2248.00
Discount Code			M	M	

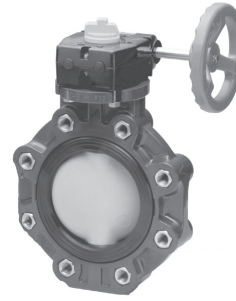
Type-57 LIS Butterfly Valves Wafer or Lug Style - Gear Operation					
Size	PVC Body CPVC Disc Wafer or Lug Style	FKM Seat/Seals			
		Wafer	List Price	316 SS Lugs	List Price
		Part Number		Part Number	
3"	T-57 LIS Plasgear®	3984030	987.00	3946030	1397.00
4"	T-57 LIS Plasgear®	3984040	1106.00	3946040	1951.00
6"	T-57 LIS Plasgear®	3984060	1529.00	3946060	2564.00
8"	T-57 LIS Plasgear®	3984080	2278.00	3946080	3433.00
Discount Code			M	M	

Direct Replacement for ISO-5752 Short Pattern Metal Butterfly Valves

Butterfly Valves



Gear-Wafer



Gear-Lug

Type-57 LIS Butterfly Valves Wafer or Lug Style - Gear Operation					
Size	PVC Body PVDF Disc Wafer or Lug Style	EPDM Seat/Seals			
		Wafer	List Price	316 SS Lugs	List Price
		Part Number		Part Number	
3"	T-57 LIS Plasgear®	3917030	820.00	3947030	1102.00
4"	T-57 LIS Plasgear®	3917040	883.00	3947040	1688.00
6"	T-57 LIS Plasgear®	3917060	1273.00	3947060	2262.00
8"	T-57 LIS Plasgear®	3917080	1691.00	3947080	2795.00
Discount Code			M	M	

Type-57 LIS Butterfly Valves Wafer or Lug Style - Gear Operation					
Size	PVC Body PVDF Disc Wafer or Lug Style	Nitrile Seat/Seals			
		Wafer	List Price	316 SS Lugs	List Price
		Part Number		Part Number	
3"	T-57 LIS Plasgear®	3948030	820.00	3949030	1102.00
4"	T-57 LIS Plasgear®	3948040	883.00	3949040	1688.00
6"	T-57 LIS Plasgear®	3948060	1273.00	3949060	2262.00
8"	T-57 LIS Plasgear®	3948080	1691.00	3949080	2795.00
Discount Code			M	M	

Type-57 LIS Butterfly Valves Wafer or Lug Style - Gear Operation					
Size	PVC Body PVDF Disc Wafer or Lug Style	FKM Seat/Seals			
		Wafer	List Price	316 SS Lugs	List Price
		Part Number		Part Number	
3"	T-57 LIS Plasgear®	3918030	1090.00	3950030	1483.00
4"	T-57 LIS Plasgear®	3918040	1224.00	3950040	2029.00
6"	T-57 LIS Plasgear®	3918060	1864.00	3950060	2853.00
8"	T-57 LIS Plasgear®	3918080	2822.00	3950080	3926.00
Discount Code			M	M	

Butterfly Valves

Direct Replacement for ISO-5752 Short Pattern Metal Butterfly Valves

NEW Discount Code* for Pool-Pro Butterfly Valves

Pool-Pro® Butterfly Valve -Lever PVC Disc EPDM Seat		
Size	Part Number	List Price*
1-1/2"	1728015	164.00
2"	1728020	164.00
2-1/2"	1728025	214.00
3"	1728030	185.00
4"	1728040	206.00
6"	1728060	307.00
8" L	1728085	541.00
12"+	1728120	1457.00
Discount Code		SP

Pool-Pro® Butterfly Valve -Gear PVC Disc EPDM Seat & Plasgear		
Size	Part Number	List Price*
1-1/2"	3793015	538.00
2"	3793020	538.00
2-1/2"	3793025	586.00
3"	3793030	558.00
4"	3793040	578.00
6"	3793060	674.00
8"	3793080	687.00
10"	3793100	923.00
12"	3793120	2045.00
Discount Code		SP



**Type SP
Pool-Pro®
Lever &
Gear**

+12" is equipped with metal gear operator

*Please contact our Customer Service Department for discounts and details on all Pool-Pro® Valves

Type-55 Butterfly Valves - Wafer Style					
Size	Ductile Iron Body PTFE Disc & Seat Wafer Style	PTFE Seat/Seals			
		Lever	List Price	Plasgear	List Price
		Part Number		Part Number	
2"	T-55	1717020	1616.00	1719020	1886.00
3"	T-55	1717030	1840.00	1719030	2110.00
4"	T-55	1717040	2411.00	1719040	2817.00
5"	T-55	1717050	2860.00	1719050	3130.00
6"	T-55	N/A		1719060	3581.00
8"	T-55	N/A		1719080	4965.00
10"	T-55	N/A		1719100	6942.00
Discount Code			C	C	



**Type-55
Lever &
Gear**

Type-56D/75D Butterfly Valves - Wafer Style						
Size	PDCPD Body PP Disc Wafer Style	Seat/Seals				
		EPDM	Nitrile	List Price	FKM	List Price
		Part Number	Part Number		Part Number	
16"	T-56D Plasgear	3876160	3877160	8866.00	3878160	14900.00
18"	T-75D Metal Gear	3876180	3877180	11388.00	3878180	17360.00
20"	T-75D Metal Gear	3876200	3877200	12701.00	3878200	20643.00
24"	T-75D Metal Gear	3876240	3877240	18146.00	3878240	27727.00
Discount Code				C	C	

High Pressure !



**Type-56D/75D
Gear**

Type-56D/75D Butterfly Valves - Wafer Style					
Size	PDCPD Body PVDF Disc Wafer Style	Seat/Seals			
		EPDM	List Price	FKM	List Price
		Part Number		Part Number	
16"	T-56D Plasgear	3879160	11443.00	3880160	17476.00
18"	T-75D Metal Gear	3879180	15034.00	3880180	21008.00
20"	T-75D Metal Gear	3879200	18440.00	3880200	26381.00
24"	T-75D Metal Gear	3879240	24181.00	3880240	33762.00
Discount Code			C	C	

Butterfly Valves

Large Diameter Butterfly Valves					
Size	PDCPD Body PDCPD Disc Wafer Style	Seat/Seals			
		EPDM		FKM	
		Part Number	List Price	Part Number	List Price
28"	Gear-Operator	1721280	39580.00	1723280	58683.00
32"	Gear-Operator	1721320	47144.00	1723320	76001.00
36"	Gear-Operator	1721360	64802.00	1723360	94144.00
40"	Gear-Operator	1721400	77433.00	1723400	122405.00
44"	Gear-Operator	1721440	94154.00	N/A	
48"	Gear-Operator	1721480	98427.00	N/A	
Discount Code			C	C	



**PDCPD
Large Diameter
Butterfly Valve**

Butterfly Valves

Size	Optional Stems	Part Number	List Price	Option Code
16"	316 SS	1762160	1597.00	S1
18"	316 SS	3057181	2003.00	
20"	316 SS	3057201	2192.00	
24"	316 SS	3057241	2571.00	
1-1/2"	Hastelloy -C-276	3765015	608.00	S2
2"	Hastelloy -C-276	3765020	729.00	
2-1/2"	Hastelloy -C-276	3765025	797.00	
3"	Hastelloy -C-276	3765030	856.00	
4"	Hastelloy -C-276	3765040	1103.00	
5"	Hastelloy -C-276	3765050	1898.00	
6"	Hastelloy -C-276	3765060	1450.00	
8"	Hastelloy -C-276	3765080	1779.00	
10"	Hastelloy -C-276	3765100B	2026.00	
12"	Hastelloy -C-276	3765120	2434.00	
14"	Hastelloy -C-276	3765140	2525.00	
16"	Hastelloy -C-276	1799160	2908.00	
18"	Hastelloy -C-276	3066181	3739.00	
20"	Hastelloy -C-276	3066201	5097.00	
24"	Hastelloy -C-276	3066241	6762.00	
1-1/2"	Titanium	3764015	608.00	S3
2"	Titanium	3764020	729.00	
2-1/2"	Titanium	3764025	797.00	
3"	Titanium	3764030	856.00	
4"	Titanium	3764040	1103.00	
5"	Titanium	3764050	1898.00	
6"	Titanium	3764060	1450.00	
8"	Titanium	3764080	1779.00	
10"	Titanium	3764100B	2026.00	
12"	Titanium	3764120	2434.00	
14"	Titanium	3764140	2525.00	
16"	Titanium	1763160	2908.00	
18"	Titanium	3058181	3739.00	
20"	Titanium	3058201	5097.00	
24"	Titanium	3058241	6762.00	
Discount Code			C	

Size	Locking Devices*	Part Number	List Price	Option Code
1-1/2" - 10"	Plasgear	3769100	218.00	G1
12" - 16"	Plasgear	3769140	218.00	
1-1/2" - 24"	6' Adjustable Cable Lockout	3769240	100.00	
Discount Code			C	

* Padlocks are not included

Butterfly Valves

Size	2" Square Operating Nuts (Gear)	Part Number	List Price	Option Code	
Plasgear®					
1-1/2" - 10"	Square Operating Nut - Plasgear®	3766100	137.00	N1	
12" - 16"	Square Operating Nut - Plasgear®	3766160	137.00		
Metal Gear					
1-1/2" - 8"	Square Operating Nut - Mastergear	2766080	137.00		
10"	Square Operating Nut - Mastergear	2766100	137.00		
12" - 16"	Square Operating Nut - Mastergear	2766160	137.00		
18" - 24"	Square Operating Nut - SPERO	1766240	137.00		
18" - 24"	Square Operating Nut - ROTORK	1766242	137.00		
Discount Code			C		

Size	2" Square Operating Nut (Lever)	Part Number	List Price	Option Code
1-1/2" - 2-1/2"	2" Square	1766025	137.00	N1
3" - 4"	2" Square	1766040	137.00	
5" - 6"	2" Square	1766060	137.00	
8"	2" Square	1766085	137.00	
Discount Code			C	

Valve Sizes	Gear-Operator	Chain Operators, Chain, Masterlink	Part number	List Price	Option Code
1-1/2" - 10"	Plasgear	Babbitt Chainwheel Operator	3061010	206.00	G3
1-1/2" - 10"	Plasgear	Chain (per Foot)	3062020	6.00	Enter Length
1-1/2" - 10"	Plasgear	Masterlink for Chain	3162020	17.00	1 per length
12" - 16"	Plasgear or Mastergear	Babbitt Chainwheel Operator	3061025	206.00	G3
12" - 16"	Plasgear or Mastergear	Chain (per Foot)	3062025	6.00	Enter Length
12" - 16"	Plasgear or Mastergear	Masterlink for Chain	3162040	17.00	1 per length
18" - 24"	Supero (AOC) Gear	Babbitt Chainwheel Operator	3061035	411.00	G3
18" - 24"	Supero (AOC) Gear	Chain (per Foot)	3062035	6.00	Enter Length
18" - 24"	Supero (AOC) Gear	Masterlink for Chain	3162040	17.00	1 per length
Discount Code			C		

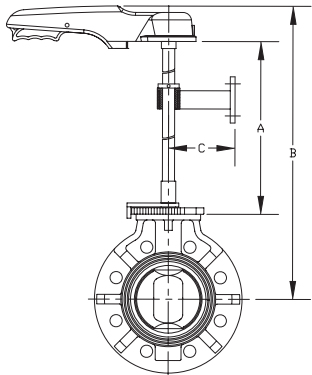
Size	P-Series Lever Limit Switch	Part Number	List Price	Option Code
1-1/2" - 4"	P-Series NEMA 4	1770040	512.00	G5
5" - 8"	P-Series NEMA 4	1770080	512.00	
Discount Code			C	

Size	Manual Gear Limit Switch for Gear Operator Style	Part Number	List Price	Option Code
1-1/2" - 10"	P-Series NEMA 4	2220100	547.00	G6
12" - 16"	P-Series NEMA 4	2220140	722.00	
18" - 24"	P-Series NEMA 4	2153240	722.00	
1-1/2" - 10"	Westlock NEMA 7	2221100	677.00	G7
12" - 16"	Westlock NEMA 7	2221140	854.00	
18" - 24"	Westlock NEMA 7	2221240	1006.00	
Discount Code			C	

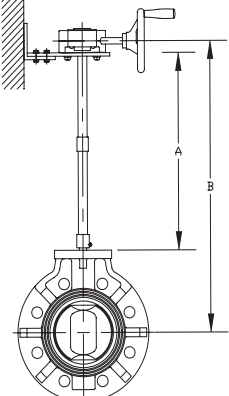
Butterfly Valves

Stem Extensions				
One Piece Stem Extension - Style BF-B		Part Number	List Price	Option Code
		1st Ft.		
1-1/2"-16"	Carbon Steel	1771000	397.00	EB1
18" -24"	Carbon Steel	3001000	397.00	
1-1/2"-16"	304 SS	1773000	456.00	EB2
18" -24"	304 SS	3003000	456.00	
1-1/2"-16"	316 SS	1775000	500.00	EB3
18" -24"	316 SS	3005000	500.00	
One Piece Stem Extension - Style BF-B		Part Number	List Price	Option Code
		Add'l Ft.		
1-1/2"-16"	Carbon Steel	1772000	61.00	EB1
18" -24"	Carbon Steel	3002000	61.00	
1-1/2"-16"	304 SS	1774000	74.00	EB2
18" -24"	304 SS	3004000	74.00	
1-1/2"-16"	316 SS	1776000	98.00	EB3
18" -24"	316 SS	3006000	98.00	
Discount Code		C		
One Piece Stem Extension - Style BF-C		Part Number	List Price	Option Code
		1st Ft.		
1-1/2"-16"	Carbon Steel	1771000	397.00	EC1
18" -24"	Carbon Steel	3001000	397.00	
1-1/2"-16"	304 SS	1773000	456.00	EC2
18" -24"	304 SS	3003000	456.00	
1-1/2"-16"	316 SS	1775000	500.00	EC3
18" -24"	316 SS	3005000	500.00	
One Piece Stem Extension - Style BF-C		Part Number	List Price	Option Code
		Add'l Ft.		
1-1/2"-16"	Carbon Steel	1772000	61.00	EC1
18" -24"	Carbon Steel	3002000	61.00	
1-1/2"-16"	304 SS	1774000	74.00	EC2
18" -24"	304 SS	3004000	74.00	
1-1/2"-16"	316 SS	1776000	98.00	EC3
18" -24"	316 SS	3006000	98.00	
Specify Dimension A or B _____ FT _____ IN				
Discount Code		C		

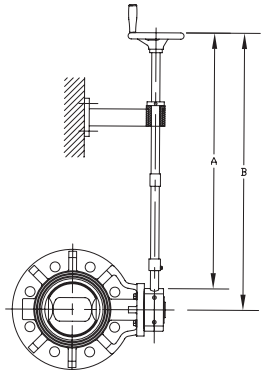
Wall Support	Part Number	List Price	Option Code
Wall Support	3021000	220.00	WS
Wall/Floor Plate	3022000	211.00	WP
Discount Code		C	



LBF-B

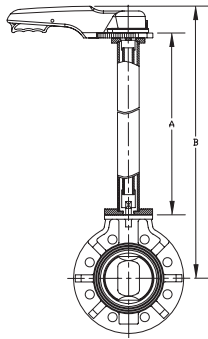


GBF-B

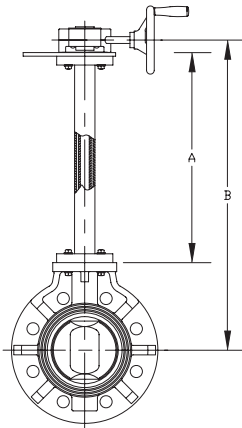


GBF-C

Butterfly Valves



LBF-A



GBF-A

Two Piece Stem Extension - Style BF-A		Part Number	List Price	Option Code
		1st Ft.		
1-1/2"-16"	Carbon Steel x PVC	1777000	679.00	E5
18" -24"	Carbon Steel x PVC	3011000	679.00	
1-1/2"-16"	304 SS x PVC	1779000	683.00	E6
18" -24"	304 SS x PVC	3013000	683.00	
1-1/2"-16"	316 SS x PVC	1781000	727.00	E7
18" -24"	316 SS x PVC	3015000	727.00	
Two Piece Stem Extension - Style BF-A		Part Number	List Price	Option Code
		Add'l Ft.		
1-1/2"-16"	Carbon Steel x PVC	1778000	87.00	E5
18" -24"	Carbon Steel x PVC	3012000	87.00	
1-1/2"-16"	304 SS x PVC	1780000	99.00	E6
18" -24"	304 SS x PVC	3014000	99.00	
1-1/2"-16"	316 SS x PVC	1782000	137.00	E7
18" -24"	316 SS x PVC	3016000	137.00	
Specify Dimension A or B _____ FT _____ IN				
Discount Code			C	

Wall Support	Part Number	List Price	Option Code
Wall Support	3021000	222.00	WS
Wall/Floor Plate	3022000	213.00	WP
Discount Code			C

Two Piece Landfill Stem Extension - Style BF-A		Part Number	List Price	Option Code
		1st Ft.		
1-1/2"-16"	Carbon Steel x Carbon Steel	1787001	698.00	E8
18" -24"	Carbon Steel x Carbon Steel	3011001	698.00	
1-1/2"-24"	316 SS x Carbon Steel	3017001	1110.00	E10
Two Piece Landfill Stem Extension - Style BF-A		Part Number	List Price	Option Code
		Add'l Ft.		
1-1/2"-4"	Carbon Steel x Carbon Steel	1788002	115.00	E8
5" -10"	Carbon Steel x Carbon Steel	1789003	157.00	
12"-16"	Carbon Steel x Carbon Steel	1790004	188.00	
18" -24"	Carbon Steel x Carbon Steel	3011005	240.00	
1-1/2"-4"	316 SS x Carbon Steel	3017002	169.00	E10
5" -10"	316 SS x Carbon Steel	3017003	255.00	
12"-16"	316 SS x Carbon Steel	3017004	312.00	
18" -24"	316 SS x Carbon Steel	3017005	451.00	
Specify Dimension A or B _____ FT _____ IN				
Discount Code			C	

1. Housing is PVC for buried service.
2. All carbon steel extensions have a baked powder coating.
3. Maximum length is 12", material is carbon steel, for stainless steel & extended lengths please consult factory.
4. Specify styles & dimensions when ordering (refer to Valve Catalog.)
5. For T-wrench see page 81.

Square Valve Tag	Part Number	List Price	Option Code
Stainless	3109000	16.00	T1
Plastic	6512147	16.00	T2
Paper	PAPERTAG	2.85	T3
Discount Code			C

Clean & Bag	Part Number	List Price	Option Code
1 1/2" - 3"	9023004	37.00	CB
4" - 6"	9023005	50.00	
8" - 12"	9023006	65.00	
Discount Code			C

Size	Electric Actuator w/Mtg for Butterfly	Part Number	List Price	Option Code
1-1/2"	Series 94	1793015	567.00	94
2"	Series 94	1793020	567.00	
2-1/2"	Series 94	1793025	567.00	
3"	Series 94	1793030	567.00	
4"	Series 94	1793040	664.00	
Discount Code			C	



Series 94 on Type-57

Actuator & mounting only, please add valve to above price.

Options for Open/Close Service Series 94 Electric Actuators	Part Number	List Price	Option Code
Single Extra Limit Switch	2126003	69.00	M1
Double Extra Limit Switch	2126004	130.00	M2
Heater & Thermostat	2127001	130.00	HT
Feedback Potentiometer	2129003	203.00	P
4-20 Ma Output Source	2129006	717.00	C3
Cycle Length Control Module	2131003	316.00	CL
Mechanical Brake	2136001	213.00	BR
2-Wire Control Relay	2102008	149.00	2W
Protek Failsafe Battery Pack	2154001	816.00	FS
Local/Remote Selector Station	2190000	834.00	LR
2 Position Indicating Lights	2101000	105.00	2L
12 VDC Voltage Option	2135749	123.00	12D
24 VDC Voltage Option	2135750	123.00	24D
12 VAC Voltage Option	2135751	123.00	12A
24 VAC Voltage Option	2135752	123.00	24A
220 VAC Voltage Option	2135753	164.00	220
Discount Code		C	

LR is for 115 VAC actuators, open/close only. Multiple options may not be compatible.

Options for Modulating Service Series 94 Electric Actuators	Part Number	List Price	Option Code
Heater & Thermostat	2127001	130.00	HT
4-20 Ma Positioner	2130812	1057.00	C1
4-20 Ma Output w/ 2-extra Limit Switches	2130813	348.00	C3
Modbus Interface Card*	2130821	623.00	MB
Mechanical Brake	2136001	213.00	BR
Local/Remote Selector Station	2190001	1276.00	LR
12 VDC Voltage Option	2135749	123.00	12D
24 VDC Voltage Option	2135750	123.00	24D
12 VAC Voltage Option	2135751	123.00	12A
24 VAC Voltage Option	2135752	123.00	24A
220 VAC Voltage Option	2135753	164.00	220
Discount Code		C	

*Requires DHC-Series digital positioner.

Butterfly Valves



Series 92 on Type-57



Series 10 Tandem Butterfly Valves



Series 92 Tandem Butterfly Valves

Size	Electric Actuator w/Mtg for Butterfly	Part Number	List Price	Option Code
1 -1/2"	Series 92	1792015	946.00	92
2"	Series 92	1792020	946.00	
2 1/2"	Series 92	1792025	946.00	
3"	Series 92	1792030	946.00	
4"	Series 92	1792040	946.00	
5"	Series 92	1792050	1308.00	
6"	Series 92	1792060	1308.00	
8"	Series 92	1792080	1414.00	
10"	Series 10	2109100	4087.00	
12"	Series 10	2109120	4087.00	
14"	Series 10	2109140	4779.00	
16"	Series 10	2109160	5018.00	
18"	Series 10	2109180	5674.00	
20"	Series 10	2109200	5674.00	
24"	Series 10	2109240	8311.00	
Discount Code			C	

Actuator & mounting only, please add valve to above price.

Size	Tandem Assembly Electric Actuator for Butterfly	Part Number	List Price	Option Code	
1 -1/2"	Series 92	2090015	2078.00	92T	
2"	Series 92	2090020	2143.00		
2 1/2"	Series 92	2090025	2208.00		
3"	Series 92	2090030	2273.00		
4"	Series 92	2090040	2792.00		
6"	Series 92	2090060	3118.00		
8"	Series 92	2090080	6300.00		
10"	Series 10	2090100	7926.00		
12"	Series 10	2090120	10310.00		
Discount Code			C		

Actuator & mounting only, please add (2) valves to above price.

1/2" - 6" tees are PVC, 8" - 12" tees are PolyPro and do not include mating flanges. Backing rings for PolyPro tees are ductile iron.

Above prices include: actuator, flanged tee, 300 SS linkage kit, SS fasteners and zinc plated flange bolts. Asahi standard arrangement applies unless otherwise noted.

Options for Open/Close Service Series 92 Electric Actuators	Part Number	List Price	Option Code
Single Extra Limit Switch	2126001	69.00	M1
Double Extra Limit Switch	2126002	130.00	M2
Fourth Switch in Protek Actuator	2126008	130.00	M4
Handwheel Manual Override (S A B92)	2124000	310.00	HW
Heater & Thermostat	2127001	130.00	HT
Feedback Potentiometer	2129001	203.00	P
4-20 Ma Output Source	2129005	717.00	C3
Cycle Length Control Module	2131001	316.00	CL
Mechanical Brake	2136001	213.00	BR
2-Wire Control Relay	2102001	149.00	2W
Protek Failsafe Battery Pack	2154000	816.00	FS
Local/Remote Selector Station	2190000	834.00	LR
2 Position Indicating Lights	2101000	105.00	2L
12 VDC Voltage Option	2135749	123.00	12D
24 VDC Voltage Option	2135750	123.00	24D
12 VAC Voltage Option	2135751	123.00	12A
24 VAC Voltage Option	2135752	123.00	24A
220 VAC Voltage Option	2135753	164.00	220
Discount Code		C	

LR is for 115 VAC actuators, open/close only. Multiple options may not be compatible.

Butterfly Valves

Options for Modulating Service Series 92 Electric Actuators	Part Number	List Price	Option Code
Single Extra Limit Switch	2126001	69.00	M1
Double Extra Limit Switch	2126002	130.00	M2
Fourth Switch in Protek Actuator	2126008	130.00	M4
Heater & Thermostat	2127001	130.00	HT
4-20 Ma Positioner	2130810	1057.00	C1
4-20 Ma Output w/ 2-extra Limit Switches	2130813	348.00	C3
Modbus Interface Card*	2130821	623.00	MB
Mechanical Brake	2136001	213.00	BR
Local/Remote Selector Station	2190001	1276.00	LR
12 VDC Voltage Option	2135749	123.00	12D
24 VDC Voltage Option	2135750	123.00	24D
12 VAC Voltage Option	2135751	123.00	12A
24 VAC Voltage Option	2135752	123.00	24A
220 VAC Voltage Option	2135753	164.00	220
Discount Code		C	

*Requires DHC-Series digital positioner.

LR is for 115 VAC actuators, multiple options may not be compatible.

Options for Open/Close Service Series 10 Electric Actuators	Part Number	List Price	Option Code
Feedback Potentiometer	2129001	203.00	P
4-20 Ma Output Source	2129005	717.00	C3
Cycle Length Control Module (RCT-100)	2131001	316.00	CL
2-Wire Control Relay	2102001	149.00	2W
Local/Remote Station*	2190000	834.00	LR
Push Button Module	1000012	2105.00	PB
NEMA 4 Manual Override Cut-out Switch	2190120	309.00	OD
Discount Code		C	

* For 120/230 VAC Open/Close units all others consult factory.

Options for Modulating Service Series 10 Electric Actuators	Part Number	List Price	Option Code
4-20 Ma Positioner	2130822	1057.00	C1
4-20 Ma Output w/ 2-extra Limit Switches	2130813	348.00	C3
Modbus Interface Card*	2130821	623.00	MB
Local/Remote Selector Station+	2190001	1276.00	LR
Discount Code		C	

*Requires DHC-Series digital positioner.

+. PK-100 for DHC-Series digital positioner.

Butterfly Valves



Series 79 A-A on Type-57

Size	Air-to-Air Pneumatic Actuator w/Mtg for Butterfly	Part Number	List Price	Option Code
1-1/2"	Series 79 A-A	1794015	441.00	AA
2"	Series 79 A-A	1794020	441.00	
2 1/2"	Series 79 A-A	1794025	441.00	
3"	Series 79 A-A	1794030	526.00	
4"	Series 79 A-A	1794040	526.00	
5"	Series 79 A-A	1794050	695.00	
6"	Series 79 A-A	1794060	778.00	
8"	Series 79 A-A	1794080	1387.00	
10"	Series 79 A-A	1794100	1387.00	
12"	Series 79 A-A	1794120	2099.00	
14"	Series 79 A-A	1794140	2433.00	
16"	Series 79 A-A	1794160	2433.00	
18"	Series 79 A-A	2315180	2719.00	
20"	Series 79 A-A	2315200	2719.00	
24"	Series 79 A-A	2315240	2719.00	
Discount Code			C	

Actuator & mounting only, please add valve to above price.



Series 79 A-S on Type-57

Size	Air-to-Spring (Close) Pneumatic Actuator w/Mtg for Butterfly	Part Number	List Price	Option Code
1-1/2"	Series 79 A-S	1795015	630.00	ASC
2"	Series 79 A-S	1795020	630.00	
2 1/2"	Series 79 A-S	1795025	654.00	
3"	Series 79 A-S	1795030	880.00	
4"	Series 79 A-S	1795040	880.00	
5"	Series 79 A-S	1795050	1257.00	
6"	Series 79 A-S	1795060	1257.00	
8"	Series 79 A-S	1795080	2117.00	
10"	Series 79 A-S	1795100	2117.00	
12"	Series 79 A-S	1795120	5209.00	
14"	Series 79 A-S	1795140	10835.00	
16"	Series 79 A-S	1795160	10835.00	
18"	Series 79 A-S	2316180	10835.00	
20"	Series 79 A-S	2316200	10835.00	
24"	Series 79 A-S	2316240	10835.00	
Discount Code			C	

Actuator & mounting only, please add valve to above price.



Series 79 Tandem Butterfly Valves

Size	Air to Air Tandem Assembly Pneumatic Actuator for Butterfly	Part Number	List Price	Option Code
1 -1/2"	Series 79 A-A	2334015	1430.00	AAT
2"	Series 79 A-A	2334020	1493.00	
2 1/2"	Series 79 A-A	2334025	1624.00	
3"	Series 79 A-A	2334030	1689.00	
4"	Series 79 A-A	2334040	2013.00	
6"	Series 79 A-A	2334060	2598.00	
8"	Series 79 A-A	2334080	4470.00	
10"	Series 79 A-A	2334100	5261.00	
12"	Series 79 A-A	2334120	7729.00	
Discount Code			C	

Actuator & mounting only, please add (2) valves to above price. Please refer to tandem notes on page 64.

Size	Air-to-Spring (Close) Tandem Assembly Pneumatic Actuator for Butterfly	Part Number	List Price	Option Code
1 -1/2"	Series 79 A-S	2335015	1624.00	ASCT
2"	Series 79 A-S	2335020	1753.00	
2 1/2"	Series 79 A-S	2335025	1819.00	
3"	Series 79 A-S	2335030	2143.00	
4"	Series 79 A-S	2335040	2533.00	
6"	Series 79 A-S	2335060	3053.00	
8"	Series 79 A-S	2335080	5391.00	
10"	Series 79 A-S	2335100	8963.00	
12"	Series 79 A-S	2335120	10845.00	
Discount Code			C	

Butterfly Valves

Options For Open/Close Series 79 Pneumatic Actuators	Part Number	List Price	Option Code
ASI-Bus: A79 - E79 Air - Air, Air - Spring (2-way)	2407010	741.00	ASI
F79 - G79 Air - Air, Air - Spring (2-way)	2407040	770.00	
A79 - E79 Air - Air, Air - Spring (3-way)	2407011	741.00	
Limit Switches w/mtg			
P-Series NEMA 4 (2-SPDT)	2403783	276.00	G5
I-Series NEMA 4 (2-SPDT)	2403785	315.00	
Westlock NEMA 4 (2-SPDT)	2403779	357.00	G6
Westlock NEMA 7 (2-SPDT)	2403780	523.00	G7
Inductive Switch Assembly			
10-36 VDC, 2 X NO Contacts	2408000	247.00	SI
Solenoids 120 VAC			
NEMA 4	2401779	216.00	W11A
NEMA 7	2401780	449.00	X11A
Optional Solenoid Voltages			
NEMA 4 12 VDC	2415749	65.00	W12D
NEMA 4 24 VDC	2415750	65.00	W24D
NEMA 4 24 VAC	2415752	65.00	W24A
NEMA 4 220 VAC	2415753	65.00	W22A
NEMA 7 12 VDC	2415755	246.00	X12D
NEMA 7 24 VDC	2415756	246.00	X24D
NEMA 7 12 VAC	2415757	261.00	X12A
NEMA 7 24 VAC	2415758	261.00	X24A
NEMA 7 220 VAC	2415759	317.00	X22A

Declutchable Manual Overrides	Part Number	List Price	Option Code
B79PA Declutch Kit	2219000	712.00	DC
B579PA -C579PA Declutch Kit	2219010	712.00	
D79PA Declutch Kit	2219020	895.00	
D579PA Declutch Kit	2219025	895.00	
E79PA Declutch Kit	2219030	1437.00	
F79PA Declutch Kit	2219040	1659.00	
G79PA Declutch Kit	2219050	2106.00	
L79P Declutch Kit	2219060	3675.00	
M79PA Declutch Kit	2219070	4592.00	
Discount Code		C	

Camstops	Part Number	List Price	Option Code
AP79P	2433000	247.00	CS
BP79P	2434000	247.00	
CP79P	2435000	247.00	
DP79P	2436000	247.00	
E79P	2437000	331.00	
F79P	2438000	414.00	
G79P	2439000	468.00	
M79P	2440000	551.00	
B-35 Watts Filter Regulator w/ Gauge	2123000	194.00	FR
Discount Code		C	

Options For Modulating Service for 79 Pneumatic Actuators	Part Number	List Price	Option Code
PST-202 SMART 4-20mA Positioner			
Air-to-Air (Standard with Transmitter)	2415420	2494.00	C1
Air-to-Spring (Standard with Transmitter)	2415420	2494.00	
Positioner & Transmitter with HART Protocol	2415425	3763.00	HA
PST-101 3-15 PSI Positioner			
Air-to-Air	2414315	1733.00	C2
Air-to-Spring	2414315	1733.00	
PST-101 3-15 PSI Positioner Options			
2 x SPDT Mechanical Switches	2414320	226.00	M2
De-Clutchable Manual Override Gearbox - Please see above			DC
Solenoids 115 VAC			
NEMA 4X	2139779	216.00	W11A
NEMA 7	2139780	449.00	X11A
Please see above for optional solenoid voltages			
Discount Code		C	

Butterfly Valves



**Battery/Timer
Remote
Actuation**

Self-powered electric actuator with open/close timer



- **NEMA 4X Engineered Resin Enclosures with SS Trim**
- **On/Off Switch**
- **12vdc Re-chargeable Battery**
- **Adjustable Open and Interval Time via Dip Switches**
- **Visual Position Indication**
- **Manual Override**
- **1100 Cycles from a Fully Charged Battery**

EM Remote Cycle





T-21 Ball Valve with Series 94 Electric Actuator*			
Size	Description	Part Number	List Price
1/2	94 Remote Cycle w/mtg 1/2 T-21	2034005	1260.00
3/4	94 Remote Cycle w/mtg 3/4 T-21	2034007	1260.00
1	94 Remote Cycle w/mtg 1 T-21	2034010	1260.00
1-1/4	94 Remote Cycle w/mtg 1.25 T-21	2034012	1260.00
1-1/2	94 Remote Cycle w/mtg 1.15 T-21	2034015	1260.00
2	94 Remote Cycle w/mtg 2 T-21	2034020	1260.00
Discount Code			C

*ADD BALL VALVE TO ABOVE ACTUATOR COST



T-57 Butterfly Valve with Series 94 Electric Actuator*			
Size	Description	Part Number	List Price
1-1/2	94 Remote Cycle w/mtg 1.5 T-57	2035015	1260.00
2	94 Remote Cycle w/mtg 2 T-57	2035020	1260.00
2-1/2	94 Remote Cycle w/mtg 2.5 T-57	2035025	1260.00
3	94 Remote Cycle w/mtg 3 T-57	2035030	1260.00
4	94 Remote Cycle w/mtg 4 T-57	2035040	1260.00
Discount Code			C

*ADD BUTTERFLY VALVE TO ABOVE ACTUATOR COST



T-57 Butterfly Valve with Series 92 Electric Actuator*			
Size	Description	Part Number	List Price
1-1/2	92 Remote Cycle w/mtg 1.5 T-57	2036015	1900.00
2	92 Remote Cycle w/mtg 2 T-57	2036020	1900.00
2-1/2	92 Remote Cycle w/mtg 2.5 T-57	2036025	1900.00
3	92 Remote Cycle w/mtg 3 T-57	2036030	1900.00
4	92 Remote Cycle w/mtg 4 T-57	2036040	1900.00
5	92 Remote Cycle w/mtg 5 T-57	2036050	2225.00
6	92 Remote Cycle w/mtg 6 T-57	2036060	2225.00
8	92 Remote Cycle w/mtg 8 T-57	2036080	2225.00
Discount Code			C

*ADD BUTTERFLY VALVE TO ABOVE ACTUATOR COST

QM Remote Cycle

Fast Pack Valve/Actuator Packages

- 9 Different Styles
- Ships within 24 hrs from time of order!
- Electric or Pneumatic Actuators
- Ball or Butterfly Valve

Electric Fast Packs

Type-21 Ball Valves

Type-57 Butterfly Valves



Series 83



Series 94



Series 92



Series 94



Series 92

Pneumatic Fast Packs

Type-21 Ball Valves

Type-57 Butterfly Valves



Series 79 A-A



Series 79 A-S



Series 79 A-A



Series 79 A-S

Fast Packs - Type-21

New Item



Series 83 on
Type-21
Ball Valve

Series-83 Type-21 PVC/EPDM - Fast Pack		Part Number	List Price
1/2"	T-21 PVC/EPDM A83	2926005	481.00
3/4"	T-21 PVC/EPDM A83	2926007	487.00
1"	T-21 PVC/EPDM A83	2926010	492.00
1-1/4"	T-21 PVC/EPDM A83	2926012	602.00
1-1/2"	T-21 PVC/EPDM A83	2926015	615.00
2"	T-21 PVC/EPDM A83	2926020	639.00
Discount Code		FP	

Series-83 Type-21 PVC/FKM - Fast Pack		Part Number	List Price
1/2"	T-21 PVC/FKM A83	2928005	488.00
3/4"	T-21 PVC/FKM A83	2928007	491.00
1"	T-21 PVC/FKM A83	2928010	498.00
1-1/4"	T-21 PVC/FKM A83	2928012	610.00
1-1/2"	T-21 PVC/FKM A83	2928015	624.00
2"	T-21 PVC/FKM A83	2928020	649.00
Discount Code		FP	

Series-83 Type-21 CPVC/EPDM - Fast Pack		Part Number	List Price
1/2"	T-21 CPVC/EPDM A83	2925005	494.00
3/4"	T-21 CPVC/EPDM A83	2925007	505.00
1"	T-21 CPVC/EPDM A83	2925010	518.00
1-1/4"	T-21 CPVC/EPDM A83	2925012	639.00
1-1/2"	T-21 CPVC/EPDM A83	2925015	657.00
2"	T-21 CPVC/EPDM A83	2925020	699.00
Discount Code		FP	

Series-83 Type-21 CPVC/FKM - Fast Pack		Part Number	List Price
1/2"	T-21 CPVC/FKM A83	2927005	497.00
3/4"	T-21 CPVC/FKM A83	2927007	508.00
1"	T-21 CPVC/FKM A83	2927010	522.00
1-1/4"	T-21 CPVC/FKM A83	2927012	644.00
1-1/2"	T-21 CPVC/FKM A83	2927015	664.00
2"	T-21 CPVC/FKM A83	2927020	707.00
Discount Code		FP	

Series 83 Fast Pack consists of: Series 83 120 vac open/close electric actuator, Type 4/4X enclosure, single cam activated limit switch, with a 5 second cycle time, factory mounted to PVC or CPVC T-21 combo ball valve.

Fast Packs - Type-21



Series 94 on
Type-21
Ball Valve

Series 94 / Type-21 PVC/EPDM - Fast Pack		Part Number	List Price
1/2"	T-21 PVC/EPDM A94M2	2901005	997.00
3/4"	T-21 PVC/EPDM A94M2	2901007	1003.00
1"	T-21 PVC/EPDM A94M2	2901010	1009.00
1-1/4"	T-21 PVC/EPDM A94M2	2901012	1023.00
1-1/2"	T-21 PVC/EPDM A94M2	2901015	1036.00
2"	T-21 PVC/EPDM A94M2	2901020	1060.00
2-1/2"	T-21 PVC/EPDM B94M2	2901025	1242.00
3"	T-21 PVC/EPDM B94M2	2901030	1248.00
Discount Code			FP

Series 94 / Type-21 PVC/FKM - Fast Pack		Part Number	List Price
1/2"	T-21 PVC/FKM A94M2	2905005	1000.00
3/4"	T-21 PVC/FKM A94M2	2905007	1008.00
1"	T-21 PVC/FKM A94M2	2905010	1015.00
1-1/4"	T-21 PVC/FKM A94M2	2905012	1032.00
1-1/2"	T-21 PVC/FKM A94M2	2905015	1046.00
2"	T-21 PVC/FKM A94M2	2905020	1070.00
2-1/2"	T-21 PVC/FKM B94M2	2905025	1279.00
3"	T-21 PVC/FKM B94M2	2905030	1286.00
Discount Code			FP

Consists of: UL-508 listed Series 94 electric actuator 120 VAC, open/close, NEMA 4X, 5 sec cycle time, 2 end of travel and 2 extra limit switches, manual override, factory mount & test to 1/2"-2" combo or 2-1/2" - 3" socket T-21 ball valve.



Series 92 on
Type-21
Ball Valve

Series 92 / Type-21 PVC/EPDM - Fast Pack		Part Number	List Price
1/2"	T-21 PVC/EPDM S92M2	2902005	1503.00
3/4"	T-21 PVC/EPDM S92M2	2902007	1509.00
1"	T-21 PVC/EPDM S92M2	2902010	1514.00
1-1/4"	T-21 PVC/EPDM S92M2	2902012	1529.00
1-1/2"	T-21 PVC/EPDM S92M2	2902015	1542.00
2"	T-21 PVC/EPDM S92M2	2902020	1566.00
2-1/2"	T-21 PVC/EPDM S92M2	2902025	2168.00
3"	T-21 PVC/EPDM S92M2	2902030	2174.00
4"	T-21 PVC/EPDM A92M2	2902040	2336.00
Discount Code			FP

Series 92 / Type-21 PVC/FKM - Fast Pack		Part Number	List Price
1/2"	T-21 PVC/FKM S92M2	2906005	1505.00
3/4"	T-21 PVC/FKM S92M2	2906007	1513.00
1"	T-21 PVC/FKM S92M2	2906010	1520.00
1-1/4"	T-21 PVC/FKM S92M2	2906012	1537.00
1-1/2"	T-21 PVC/FKM S92M2	2906015	1551.00
2"	T-21 PVC/FKM S92M2	2906020	1576.00
2-1/2"	T-21 PVC/FKM S92M2	2906025	2204.00
3"	T-21 PVC/FKM S92M2	2906030	2211.00
4"	T-21 PVC/FKM A92M2	2906040	2385.00
Discount Code			FP

Consists of: UL-508 listed Series 92 electric actuator 120 VAC, open/close, NEMA 4X, 15 sec cycle time, 2 end of travel and 2 extra limit switches, beacon indicator, manual override, factory mount and test to 1/2" - 2" combo or 2-1/2" - 4" socket T-21 ball valve

Fast Packs - Type-21

Series 79 (Air - Air) / Type-21 PVC/EPDM - Fast Pack		Part Number	List Price
1/2"	T-21 PVC/EPDM A79 A-A	2904005	303.00
3/4"	T-21 PVC/EPDM A79 A-A	2904007	309.00
1"	T-21 PVC/EPDM A79 A-A	2904010	315.00
1-1/4"	T-21 PVC/EPDM A79 A-A	2904012	329.00
1-1/2"	T-21 PVC/EPDM A79 A-A	2904015	342.00
2"	T-21 PVC/EPDM A79 A-A	2904020	366.00
2-1/2"	T-21 PVC/EPDM C79 A-A	2904025	992.00
3"	T-21 PVC/EPDM C79 A-A	2904030	1174.00
4"	T-21 PVC/EPDM D79 A-A	2904040	1479.00
Discount Code		FP	



Series 79 on
Type-21
Ball Valve

Series 79 (Air - Air) / Type-21 PVC/FKM - Fast Pack		Part Number	List Price
1/2"	T-21 PVC/FKM A79 A-A	2908005	305.00
3/4"	T-21 PVC/FKM A79 A-A	2908007	313.00
1"	T-21 PVC/FKM A79 A-A	2908010	321.00
1-1/4"	T-21 PVC/FKM A79 A-A	2908012	337.00
1-1/2"	T-21 PVC/FKM A79 A-A	2908015	351.00
2"	T-21 PVC/FKM A79 A-A	2908020	376.00
2-1/2"	T-21 PVC/FKM C79 A-A	2908025	1028.00
3"	T-21 PVC/FKM C79 A-A	2908030	1212.00
4"	T-21 PVC/FKM D79 A-A	2908040	1528.00
Discount Code		FP	

Consists of: Series 79 glass filled polyamide air-to-air (double acting) pneumatic actuator, factory mount and test to 1/2"-2" combo or 2-1/2" - 3" socket T-21 ball valve.

Series 79 (Air - Spring) / Type-21 PVC/EPDM - Fast Pack		Part Number	List Price
1/2"	T-21 PVC/EPDM A79 A-S	2903005	321.00
3/4"	T-21 PVC/EPDM A79 A-S	2903007	327.00
1"	T-21 PVC/EPDM A79 A-S	2903010	333.00
1-1/4"	T-21 PVC/EPDM B79 A-S	2903012	546.00
1-1/2"	T-21 PVC/EPDM B79 A-S	2903015	559.00
2"	T-21 PVC/EPDM C79 A-S	2903020	713.00
2-1/2"	T-21 PVC/EPDM C79 A-S	2903025	1497.00
3"	T-21 PVC/EPDM D79 A-S	2903030	1931.00
4"	T-21 PVC/EPDM D79 A-S	2903040	2094.00
Discount Code		FP	



Series 79 on
Type-21
Ball Valve

Series 79 (Air - Spring) / Type-21 PVC/FKM - Fast Pack		Part Number	List Price
1/2"	T-21 PVC/FKM A79 A-S	2907005	324.00
3/4"	T-21 PVC/FKM A79 A-S	2907007	331.00
1"	T-21 PVC/FKM A79 A-S	2907010	339.00
1-1/4"	T-21 PVC/FKM B79 A-S	2907012	554.00
1-1/2"	T-21 PVC/FKM B79 A-S	2907015	568.00
2"	T-21 PVC/FKM C79 A-S	2907020	723.00
2-1/2"	T-21 PVC/FKM C79 A-S	2907025	1534.00
3"	T-21 PVC/FKM D79 A-S	2907030	1969.00
4"	T-21 PVC/FKM D79 A-S	2907040	2143.00
Discount Code		FP	

Consists of: Series 79 glass filled polyamide air to spring (single acting) pneumatic actuator fail CLOSED factory mount and test to 1/2"-2" combo or 2-1/2" - 3" socket T-21 ball valve.

Fast Packs - Type-21



Series 94 on
Type-21
Ball Valve

Series 94 / Type-21 CPVC/EPDM - Fast Pack		Part Number	List Price
1/2"	T-21 CPVC/EPDM A94M2	2917005	1011.00
3/4"	T-21 CPVC/EPDM A94M2	2917007	1021.00
1"	T-21 CPVC/EPDM A94M2	2917010	1035.00
1-1/4"	T-21 CPVC/EPDM A94M2	2917012	1060.00
1-1/2"	T-21 CPVC/EPDM A94M2	2917015	1079.00
2"	T-21 CPVC/EPDM A94M2	2917020	1120.00
2-1/2"	T-21 CPVC/EPDM B94M2	2917025	1461.00
3"	T-21 CPVC/EPDM B94M2	2917030	1475.00
Discount Code			FP

Series 94 / Type-21 CPVC/FKM - Fast Pack		Part Number	List Price
1/2"	T-21 CPVC/FKM A94M2	2921005	1013.00
3/4"	T-21 CPVC/FKM A94M2	2921007	1024.00
1"	T-21 CPVC/FKM A94M2	2921010	1038.00
1-1/4"	T-21 CPVC/FKM A94M2	2921012	1066.00
1-1/2"	T-21 CPVC/FKM A94M2	2921015	1085.00
2"	T-21 CPVC/FKM A94M2	2921020	1129.00
2-1/2"	T-21 CPVC/FKM B94M2	2921025	1488.00
3"	T-21 CPVC/FKM B94M2	2921030	1503.00
Discount Code			FP

Consists of: UL-508 listed Series 94 electric actuator 120 VAC, open/close, NEMA 4X, 5 sec cycle time, 2 end of travel and 2 extra limit switches, manual override, factory mount & test to 1/2"-2" combo or 2-1/2" - 3" socket T-21 ball valve.



Series 92 on
Type-21
Ball Valve

Series 92 / Type-21 CPVC/EPDM - Fast Pack		Part Number	List Price
1/2"	T-21 CPVC/EPDM S92M2	2918005	1516.00
3/4"	T-21 CPVC/EPDM S92M2	2918007	1527.00
1"	T-21 CPVC/EPDM S92M2	2918010	1540.00
1-1/4"	T-21 CPVC/EPDM S92M2	2918012	1566.00
1-1/2"	T-21 CPVC/EPDM S92M2	2918015	1584.00
2"	T-21 CPVC/EPDM S92M2	2918020	1626.00
2-1/2"	T-21 CPVC/EPDM S92M2	2918025	2387.00
3"	T-21 CPVC/EPDM S92M2	2918030	2400.00
4"	T-21 CPVC/EPDM A92M2	2918040	2714.00
Discount Code			FP

Series 92 / Type-21 CPVC/FKM - Fast Pack		Part Number	List Price
1/2"	T-21 CPVC/FKM S92M2	2922005	1519.00
3/4"	T-21 CPVC/FKM S92M2	2922007	1530.00
1"	T-21 CPVC/FKM S92M2	2922010	1544.00
1-1/4"	T-21 CPVC/FKM S92M2	2922012	1571.00
1-1/2"	T-21 CPVC/FKM S92M2	2922015	1591.00
2"	T-21 CPVC/FKM S92M2	2922020	1634.00
2-1/2"	T-21 CPVC/FKM S92M2	2922025	2413.00
3"	T-21 CPVC/FKM S92M2	2922030	2428.00
4"	T-21 CPVC/FKM A92M2	2922040	2762.00
Discount Code			FP

Consists of: UL-508 listed Series 92 electric actuator 120 vac, open/close, NEMA 4X, 15 sec cycle time, 2 end of travel and 2 extra limit switches, beacon indicator, manual override, factory mount and test to 1/2" - 2" combo or 2-1/2" - 4" socket T-21 ball valve

Fast Packs - Type-21

Valve Price Sheet #50A

**Fast Packs - Type-21
CPVC**

Series 79 (Air - Air) / Type-21 CPVC/EPDM - Fast Pack		Part Number	List Price
1/2"	T-21 CPVC/EPDM A79 A-A	2919005	316.00
3/4"	T-21 CPVC/EPDM A79 A-A	2919007	327.00
1"	T-21 CPVC/EPDM A79 A-A	2919010	340.00
1-1/4"	T-21 CPVC/EPDM A79 A-A	2919012	366.00
1-1/2"	T-21 CPVC/EPDM A79 A-A	2919015	384.00
2"	T-21 CPVC/EPDM A79 A-A	2919020	426.00
2-1/2"	T-21 CPVC/EPDM C79 A-A	2919025	1211.00
3"	T-21 CPVC/EPDM C79 A-A	2919030	1400.00
4"	T-21 CPVC/EPDM D79 A-A	2919040	1857.00
Discount Code		FP	



**Series 79 on
Type-21
Ball Valve**

Series 79 (Air - Air) / Type-21 CPVC/FKM - Fast Pack		Part Number	List Price
1/2"	T-21 CPVC/FKM A79 A-A	2923005	319.00
3/4"	T-21 CPVC/FKM A79 A-A	2923007	330.00
1"	T-21 CPVC/FKM A79 A-A	2923010	344.00
1-1/4"	T-21 CPVC/FKM A79 A-A	2923012	371.00
1-1/2"	T-21 CPVC/FKM A79 A-A	2923015	391.00
2"	T-21 CPVC/FKM A79 A-A	2923020	434.00
2-1/2"	T-21 CPVC/FKM C79 A-A	2923025	1237.00
3"	T-21 CPVC/FKM C79 A-A	2923030	1429.00
4"	T-21 CPVC/FKM D79 A-A	2923040	1905.00
Discount Code		FP	

Consists of: Series 79 glass filled polyamide air-to-air (double acting) pneumatic actuator, factory mount and test to 1/2"-2" combo or 2-1/2" - 3" socket T-21 ball valve.

Series 79 (Air - Spring) / Type-21 CPVC/EPDM - Fast Pack		Part Number	List Price
1/2"	T-21 CPVC/EPDM A79 A-S	2920005	334.00
3/4"	T-21 CPVC/EPDM A79 A-S	2920007	345.00
1"	T-21 CPVC/EPDM A79 A-S	2920010	358.00
1-1/4"	T-21 CPVC/EPDM B79 A-S	2920012	583.00
1-1/2"	T-21 CPVC/EPDM B79 A-S	2920015	601.00
2"	T-21 CPVC/EPDM C79 A-S	2920020	773.00
2-1/2"	T-21 CPVC/EPDM C79 A-S	2920025	1716.00
3"	T-21 CPVC/EPDM D79 A-S	2920030	2158.00
4"	T-21 CPVC/EPDM D79 A-S	2920040	2472.00
Discount Code		FP	



**Series 79 on
Type-21
Ball Valve**

Series 79 (Air - Spring) / Type-21 CPVC/FKM - Fast Pack		Part Number	List Price
1/2"	T-21 CPVC/FKM A79 A-S	2924005	337.00
3/4"	T-21 CPVC/FKM A79 A-S	2924007	348.00
1"	T-21 CPVC/FKM A79 A-S	2924010	362.00
1-1/4"	T-21 CPVC/FKM B79 A-S	2924012	588.00
1-1/2"	T-21 CPVC/FKM B79 A-S	2924015	608.00
2"	T-21 CPVC/FKM C79 A-S	2924020	781.00
2-1/2"	T-21 CPVC/FKM C79 A-S	2924025	1743.00
3"	T-21 CPVC/FKM D79 A-S	2924030	2186.00
4"	T-21 CPVC/FKM D79 A-S	2924040	2520.00
Discount Code		FP	

Consists of: Series 79 glass filled polyamide air to spring (single acting) pneumatic actuator fail CLOSED factory mount and test to 1/2"-2" combo or 2-1/2" - 3" socket T-21 ball valve.

Fast Packs - Type-21



Series 94 on Type-57 Butterfly Valve

Series 94 / Type-57 PVC/PP/EPDM - Fast Pack		Part Number	List Price
1-1/2"	T-57 PVC/EPDM A94M2	2909015	1253.00
2"	T-57 PVC/EPDM A94M2	2909020	1266.00
2-1/2"	T-57 PVC/EPDM B94M2	2909025	1302.00
3"	T-57 PVC/EPDM B94M2	2909030	1291.00
4"	T-57 PVC/EPDM B94BRM2	2909040	1478.00
Discount Code			FP

Series 94 / Type-57 PVC/PP/FKM - Fast Pack		Part Number	List Price
1-1/2"	T-57 PVC/FKM A94M2	2913015	1596.00
2"	T-57 PVC/FKM A94M2	2913020	1527.00
2-1/2"	T-57 PVC/FKM B94M2	2913025	1766.00
3"	T-57 PVC/FKM B94M2	2913030	1615.00
4"	T-57 PVC/FKM B94BRM2	2913040	1891.00
Discount Code			FP

Consists of: UL-508 listed Series 94 electric actuator 120 VAC, open/close, NEMA 4X enclosure, 5 sec cycle time, 2 end of travel limit and 2 extra limit switches, manual override, factory mount and tested to T-57 wafer style butterfly valve.

Note: Mechanical brake supplied for 4" valves.

Series 92 / Type-57 PVC/PP/EPDM - Fast Pack		Part Number	List Price
1-1/2"	T-57 PVC/EPDM S92M2	2910015	1784.00
2"	T-57 PVC/EPDM S92M2	2910020	1797.00
2-1/2"	T-57 PVC/EPDM S92M2	2910025	1833.00
3"	T-57 PVC/EPDM S92M2	2910030	1822.00
4"	T-57 PVC/EPDM S92M2	2910040	1873.00
6"	T-57 PVC/EPDM B92BRM2	2910060	2563.00
8"	T-57 PVC/EPDM C92BRM2	2910080	3183.00
Discount Code			FP

Series 92 / Type-57 PVC/PP/FKM - Fast Pack		Part Number	List Price
1-1/2"	T-57 PVC/FKM S92M2	2914015	2126.00
2"	T-57 PVC/FKM S92M2	2914020	2058.00
2-1/2"	T-57 PVC/FKM S92M2	2914025	2297.00
3"	T-57 PVC/FKM S92M2	2914030	2146.00
4"	T-57 PVC/FKM S92M2	2914040	2286.00
6"	T-57 PVC/FKM B92BRM2	2914060	3271.00
8"	T-57 PVC/FKM C92BRM2	2914080	4264.00
Discount Code			FP

Consists of: UL-508 listed Series 92 electric actuator 120 VAC, open/close, NEMA 4X, 15 sec cycle time, 2 end of travel and 2 extra limit switches, manual override, beacon indicator, factory mount and tested to T-57 wafer style butterfly valve.

Note: 32 second cycle time and mechanical brakes supplied for 6" & 8" manual override is handwheel for 8" only.



Series 92 on Type-57 Butterfly Valve

Fast Packs - Type-57

Series 79 (Air - Air) / Type-57 PVC/EPDM - Fast Pack		Part Number	List Price
1-1/2"	T-57 PVC/EPDM B79 A-A	2912015	895.00
2"	T-57 PVC/EPDM B79 A-A	2912020	908.00
2-1/2"	T-57 PVC/EPDM B79 A-A	2912025	944.00
3"	T-57 PVC/EPDM C79 A-A	2912030	1052.00
4"	T-57 PVC/EPDM C79 A-A	2912040	1103.00
6"	T-57 PVC/EPDM D79 A-A	2912060	1639.00
8"	T-57 PVC/EPDM E79 A-A	2912080	2963.00
Discount Code		FP	



Series 79 on Type-57 Butterfly Valve

Series 79 (Air - Air) / Type-57 PVC/FKM - Fast Pack		Part Number	List Price
1-1/2"	T-57 PVC/FKM B79 A-A	2916015	1237.00
2"	T-57 PVC/FKM B79 A-A	2916020	1169.00
2-1/2"	T-57 PVC/FKM B79 A-A	2916025	1408.00
3"	T-57 PVC/FKM C79 A-A	2916030	1376.00
4"	T-57 PVC/FKM C79 A-A	2916040	1516.00
6"	T-57 PVC/FKM D79 A-A	2916060	2347.00
8"	T-57 PVC/FKM E79 A-A	2916080	4044.00
Discount Code		FP	

Consists of: Series 79 glass filled polyamide air-to-air (double acting) pneumatic actuator, factory mount and test to T-57 wafer style butterfly valve.

Series 79 (Air - Spring) / Type-57 PVC/EPDM - Fast Pack		Part Number	List Price
1-1/2"	T-57 PVC/EPDM C79 A-S	2911015	1160.00
2"	T-57 PVC/EPDM C79 A-S	2911020	1173.00
2-1/2"	T-57 PVC/EPDM C79 A-S	2911025	1242.00
3"	T-57 PVC/EPDM D79 A-S	2911030	1548.00
4"	T-57 PVC/EPDM D79 A-S	2911040	1599.00
6"	T-57 PVC/EPDM E79 A-S	2911060	2309.00
8"	T-57 PVC/EPDM E79 A-S	2911080	3985.00
Discount Code		FP	



Series 79 on Type-57 Butterfly Valve

Series 79 (Air - Spring) / Type-57 PVC/FKM - Fast Pack		Part Number	List Price
1-1/2"	T-57 PVC/FKM C79 A-S	2915015	1502.00
2"	T-57 PVC/FKM C79 A-S	2915020	1433.00
2-1/2"	T-57 PVC/FKM C79 A-S	2915025	1706.00
3"	T-57 PVC/FKM D79 A-S	2915030	1871.00
4"	T-57 PVC/FKM D79 A-S	2915040	2011.00
6"	T-57 PVC/FKM E79 A-S	2915060	3018.00
8"	T-57 PVC/FKM E79 A-S	2915080	5066.00
Discount Code		FP	

Consists of: Series 79 glass filled polyamide air-to-spring (single acting) pneumatic actuator fail CLOSED factory mount and test to T-57 wafer style butterfly valve.

Fast Packs - Type-57



Type-14
Socket

PVC Type-14 Manual Diaphragm Valves - True-Union							
Size	PVC Body PVC Bonnet Diaphragm Valves	EPDM Diaphragm			PTFE Diaphragm		
		Socket	Threaded	List Price	Socket	Threaded	List Price
		Part Number	Part Number		Part Number	Part Number	
1/2"	True-Union	1526005	1527005	120.00	1528005	1529005	197.00
3/4"	True-Union	1526007	1527007	133.00	1528007	1529007	205.00
1"	True-Union	1526010	1527010	171.00	1528010	1529010	275.00
1-1/4"	True-Union	1526012	1527012	256.00	1528012	1529012	403.00
1-1/2"	True-Union	1526015	1527015	256.00	1528015	1529015	403.00
2"	True-Union	1526020	1527020	306.00	1528020	1529020	498.00
Discount Code				C	C		

CPVC Type-14 Manual Diaphragm Valves - True-Union							
Size	CPVC Body PP Bonnet Diaphragm Valves	EPDM Diaphragm			PTFE Diaphragm		
		Socket	Threaded	List Price	Socket	Threaded	List Price
		Part Number	Part Number		Part Number	Part Number	
1/2"	True-Union	1530005	1531005	169.00	1532005	1533005	248.00
3/4"	True-Union	1530007	1531007	183.00	1532007	1533007	267.00
1"	True-Union	1530010	1531010	235.00	1532010	1533010	351.00
1-1/4"	True-Union	1530012	1531012	359.00	1532012	1533012	522.00
1-1/2"	True-Union	1530015	1531015	359.00	1532015	1533015	522.00
2"	True-Union	1530020	1531020	425.00	1532020	1533020	641.00
Discount Code				C	C		

1. All diaphragm valves with PTFE diaphragm include PVDF gas barrier.
2. Titanium hardware available for all type and size diaphragm valves - consult factory for quantity based pricing.

Polypropylene Type-14 Manual Diaphragm Valves - True-Union						
Size	PP Body PP Bonnet	EPDM Diaphragm				List Price
		DIN Socket	IPS Socket	Threaded	Butt	
	Diaphragm Valves	Part Number	Part Number	Part Number	Part Number	
1/2"	True-Union	1535005	1534005	1537005	1536005	173.00
3/4"	True-Union	1535007	1534007	1537007	1536007	186.00
1"	True-Union	1535010	1534010	1537010	1536010	238.00
1-1/4"	True-Union	1535012	1534012	1537012	1536012	358.00
1-1/2"	True-Union	1535015	1534015	1537015	1536015	358.00
2"	True-Union	1535020	1534020	1537020	1536020	422.00
Discount Code						C



DIN/IPS Socket

Polypropylene Type-14 Manual Diaphragm Valves - True-Union						
Size	PP Body PP Bonnet	PTFE Diaphragm				List Price
		DIN Socket	IPS Socket	Threaded	Butt	
	Diaphragm Valves	Part Number	Part Number	Part Number	Part Number	
1/2"	True-Union	1539005	1538005	1541005	1540005	250.00
3/4"	True-Union	1539007	1538007	1541007	1540007	265.00
1"	True-Union	1539010	1538010	1541010	1540010	354.00
1-1/4"	True-Union	1539012	1538012	1541012	1540012	523.00
1-1/2"	True-Union	1539015	1538015	1541015	1540015	523.00
2"	True-Union	1539020	1538020	1541020	1540020	638.00
Discount Code						C



Threaded

PVDF Type-14 Manual Diaphragm Valves - True-Union						
Size	PVDF Body PPG Bonnet	PTFE Diaphragm				List Price
		DIN Socket	IPS Socket	Threaded	Butt	
	Diaphragm Valves	Part Number	Part Number	Part Number	Part Number	
1/2"	True-Union	1543005	1542005	1545005	1544005	247.00
3/4"	True-Union	1543007	1542007	1545007	1544007	279.00
1"	True-Union	1543010	1542010	1545010	1544010	413.00
1-1/4"	True-Union	1543012	1542012	1545012	1544012	614.00
1-1/2"	True-Union	1543015	1542015	1545015	1544015	614.00
2"	True-Union	1543020	1542020	1545020	1544020	780.00
Discount Code						C



Butt

PVDF Type-14 Manual Diaphragm Valves - True-Union						
Size	PVDF Body PVDF Bonnet	PTFE Diaphragm				List Price
		DIN Socket	IPS Socket	Threaded	Butt	
	Diaphragm Valves	Part Number	Part Number	Part Number	Part Number	
1/2"	True-Union	1547005	1546005	1549005	1548005	301.00
3/4"	True-Union	1547007	1546007	1549007	1548007	364.00
1"	True-Union	1547010	1546010	1549010	1548010	492.00
1-1/4"	True-Union	1547012	1546012	1549012	1548012	670.00
1-1/2"	True-Union	1547015	1546015	1549015	1548015	733.00
2"	True-Union	1547020	1546020	1549020	1548020	917.00
Discount Code						C

Diaphragm Valves

1. All diaphragm valves with PTFE diaphragm include PVDF gas barrier.
2. Titanium hardware available for all type and size diaphragm valves - consult factory for quantity based pricing.
3. PVDF bonnet diaphragm valves are special order.



1/2" - 2" Flanged
Type-14

PVC Manual Diaphragm Valves - Flanged					
Size	PVC Body PVC Bonnet	EPDM Diaphragm		PTFE Diaphragm	
	Diaphragm Valves	Part Number	List Price	Part Number	List Price
1/2"	Type-14 Flanged	1461005	138.00	1462005	225.00
3/4"	Type-14 Flanged	1461007	155.00	1462007	234.00
1"	Type-14 Flanged	1461010	198.00	1462010	316.00
1-1/4"	Type-14 Flanged	1461012	236.00	1462012	399.00
1-1/2"	Type-14 Flanged	1461015	299.00	1462015	467.00
2"	Type-14 Flanged	1461020	354.00	1462020	576.00
2-1/2"	Type-14 Flanged	1461025	508.00	1462025	801.00
3"	Type-14 Flanged	1461030	579.00	1462030	996.00
4"	Type-14 Flanged	1461040	846.00	1462040	1406.00
5"	Type-15 Flanged	1461050	1313.00	1462050	2584.00
6"	Type-15 Flanged	1461060	1795.00	1462060	3329.00
8"	Type-G Flanged	1126080	3841.00	1127080	4737.00
10"	Type-G Flanged	1126100	6532.00	1127100	9062.00
Discount Code			C	C	



2-1/2" - 6" Flanged
Type-14/15

CPVC Manual Diaphragm Valves - Flanged					
Size	CPVC Body PP Bonnet	EPDM Diaphragm		PTFE Diaphragm	
	Diaphragm Valves	Part Number	List Price	Part Number	List Price
1/2"	Type-14 Flanged	1463005	207.00	1464005	295.00
3/4"	Type-14 Flanged	1463007	225.00	1464007	316.00
1"	Type-14 Flanged	1463010	285.00	1464010	391.00
1-1/4"	Type-14 Flanged	1463012	410.00	1464012	489.00
1-1/2"	Type-14 Flanged	1463015	439.00	1464015	582.00
2"	Type-14 Flanged	1463020	525.00	1464020	653.00
2-1/2"	Type-14 Flanged	1463025	734.00	1464025	1090.00
3"	Type-14 Flanged	1463030	940.00	1464030	1341.00
4"	Type-14 Flanged	1463040	1246.00	1464040	1892.00
Discount Code			C	C	

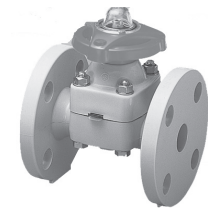


8" - 10" Flanged
Type-G

Polypropylene Manual Diaphragm Valves - Flanged					
Size	PP Body PP Bonnet	EPDM Diaphragm		PTFE Diaphragm	
	Diaphragm Valves	Part Number	List Price	Part Number	List Price
1/2"	Type-14 Flanged	1465005	179.00	1466005	265.00
3/4"	Type-14 Flanged	1465007	195.00	1466007	277.00
1"	Type-14 Flanged	1465010	247.00	1466010	373.00
1-1/4"	Type-14 Flanged	1465012	310.00	1466012	440.00
1-1/2"	Type-14 Flanged	1465015	381.00	1466015	551.00
2"	Type-14 Flanged	1465020	449.00	1466020	674.00
2-1/2"	Type-14 Flanged	1465025	635.00	1466025	942.00
3"	Type-14 Flanged	1465030	730.00	1466030	1167.00
4"	Type-14 Flanged	1465040	1070.00	1466040	1640.00
5"	Type-15 Flanged	1465050	1575.00	1466050	2805.00
6"	Type-15 Flanged	1465060	2102.00	1466060	3633.00
8"	Type-G Flanged	1132080	4613.00	1133080	5500.00
10"	Type-G Flanged	1132100	7842.00	1133100	10318.00
Discount Code			C	C	

Diaphragm Valves

PVDF Manual Diaphragm Valves - Flanged			
Size	PVDF Body PPG Bonnet	PTFE Diaphragm	
	Diaphragm Valves	Part Number	List Price
1/2"	Type-14 Flanged	1468005	267.00
3/4"	Type-14 Flanged	1468007	300.00
1"	Type-14 Flanged	1468010	443.00
1-1/4"	Type-14 Flanged	1468012	616.00
1-1/2"	Type-14 Flanged	1468015	656.00
2"	Type-14 Flanged	1468020	830.00
2-1/2"	Type-14 Flanged	1468025	1199.00
3"	Type-14 Flanged	1468030	1512.00
4"	Type-14 Flanged	1468040	2157.00
5"	Type-15 Flanged	1468050	3314.00
6"	Type-15 Flanged	1468060	5069.00
8"	Type-G Flanged	1136080	10289.00
10"	Type-G Flanged	1136100	14724.00
Discount Code			C



1/2" - 2" Flanged
Type-14

PVDF Manual Diaphragm Valves - Flanged			
Size	PVDF Body PVDF Bonnet	PTFE Diaphragm	
	Diaphragm Valves	Part Number	List Price
1/2"	Type-14 Flanged	1467005	323.00
3/4"	Type-14 Flanged	1467007	377.00
1"	Type-14 Flanged	1467010	538.00
1-1/4"	Type-14 Flanged	1467012	639.00
1-1/2"	Type-14 Flanged	1467015	800.00
2"	Type-14 Flanged	1467020	1015.00
2-1/2"	Type-14 Flanged	1467025	1641.00
3"	Type-14 Flanged	1467030	2080.00
4"	Type-14 Flanged	1467040	2969.00
5"	Type-15 Flanged	1467050	4516.00
6"	Type-15 Flanged	1467060	6965.00
8"	Type-G Flanged	1135080	14147.00
10"	Type-G Flanged	1135100	22447.00
Discount Code			C



2- 1/2" - 6" Flanged
Type-14/15



8" - 10" Flanged
Type-G

1. All diaphragm valves with PTFE diaphragm include PVDF gas barrier.
2. PVDF bonnet diaphragm valves are special order.

PVDF Type-14 TI Manual Diaphragm Valves - Flanged			
Size	PVDF Body PPG Bonnet	PTFE Diaphragm	
	Diaphragm Valves	Part Number	List Price
1/2"	TI Type-14 Flanged	1457005	686.00
3/4"	TI Type-14 Flanged	1457007	725.00
1"	TI Type-14 Flanged	1457010	863.00
1-1/4"	TI Type-14 Flanged	1457012	952.00
1-1/2"	TI Type-14 Flanged	1457015	1251.00
2"	TI Type-14 Flanged	1457020	1443.00
2-1/2"	TI Type-14 Flanged	1457025	2840.00
3"	TI Type-14 Flanged	1457030	3436.00
4"	TI Type-14 Flanged	1457040	4296.00
6"	TI Type-15 Flanged	1457060	9030.00
Discount Code			C



1/2" - 2" Flanged
Type-14 TI

1. All TI diaphragm valves feature titanium body to bonnet bolts, palladium titanium diaphragm insert, compressor connector joint or pin and 3-layer EPDM/PVDF/PTFE diaphragm.

Diaphragm Valves

Size	Locking Handle	Part Number	List Price	Option Code
1/2"	Metal	3049005	256.00	G1
3/4"	Metal	3049007	256.00	
1"	Metal	3049010	256.00	
1-1/4"	Metal	3049012	256.00	
1-1/2"	Metal	3049015	256.00	
2"	Metal	3049020	256.00	
2-1/2"	Metal	3049025	256.00	
3"	Metal	3049030	256.00	
4"	Metal	3049040	354.00	
5"	Metal	3049050	354.00	
6"	Metal	3049060	354.00	
8"	Metal	3049080	354.00	
10"	Metal	3049100	354.00	
Discount Code			C	

Size	2" Square Nut	Part Number	List Price	Option Code
1/2"	2" Square Nut	3042005	208.00	N1
3/4"	2" Square Nut	3042007	208.00	
1"	2" Square Nut	3042010	208.00	
1-1/4"	2" Square Nut	3042012	208.00	
1-1/2"	2" Square Nut	3042015	208.00	
2"	2" Square Nut	3042020	208.00	
2-1/2"	2" Square Nut	3042025	208.00	
3"	2" Square Nut	3042030	208.00	
4"	2" Square Nut	3042040	208.00	
5"	2" Square Nut	3042050	208.00	
6"	2" Square Nut	3042060	208.00	
8"	2" Square Nut	3042080	208.00	
10"	2" Square Nut	3042100	208.00	
Discount Code			C	

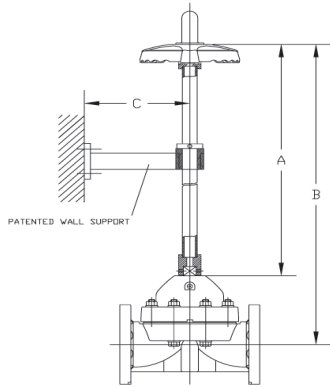
2 Piece PTFE Encapsulated O-Ring Kits for Type-14		Part Number	List Price	Option Code
1/2"	PTFE	3287005	26.00	TEF
3/4"	PTFE	3287007	30.00	
1"	PTFE	3287010	34.00	
1-1/4"	PTFE	3287012	36.00	
1-1/2"	PTFE	3287015	36.00	
2"	PTFE	3287020	48.00	
Discount Code			C	

2 Piece End Connector O-Ring Kit for T-14		Part Number	List Price	Option Code
1/2"	EPDM	3324005	11.00	EPT
3/4"	EPDM	3324007	11.00	
1"	EPDM	3324010	11.00	
1-1/4"	EPDM	3324012	11.00	
1-1/2"	EPDM	3324015	11.00	
2"	EPDM	3324020	13.00	
1/2"	FKM	3325005	11.00	FKM
3/4"	FKM	3325007	14.00	
1"	FKM	3325010	16.00	
1-1/4"	FKM	3325012	19.00	
1-1/2"	FKM	3325015	19.00	
2"	FKM	3325020	29.00	
Discount Code			C	

Diaphragm Valves

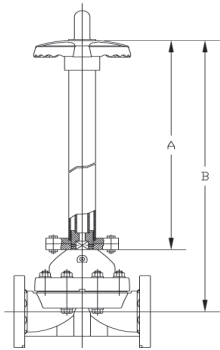
Optional Diaphragms		Part Number	List Price
1/2" - 3/4"	EPDM T-14	3274007	14.00
1"-1-1/4"	EPDM T-14	3274012	18.00
1-1/2"	EPDM T-14	3274015	26.00
2"	EPDM T-14	3274020	36.00
2-1/2"	EPDM T-14	3274025	61.00
3"	EPDM T-14	3274030	76.00
4"	EPDM T-14	3274040	86.00
5"	EPDM T-15	3274050	189.00
6"	EPDM T-15	3274060	266.00
8"	EPDM T-G	3141080	445.00
10"	EPDM T-G	3141100	749.00
1/2"-3/4"	3 Layer PTFE T-14	3465007	110.00
1"-1-1/4"	3 Layer PTFE T-14	3465012	151.00
1-1/2"	3 Layer PTFE T-14	3465015	223.00
2"	3 Layer PTFE T-14	3465020	288.00
2-1/2"	3 Layer PTFE T-14	3465025	406.00
3"	3 Layer PTFE T-14	3465030	590.00
4"	3 Layer PTFE T-14	3465040	749.00
5"	3 Layer PTFE T-15	3465050	1625.00
6"	3 Layer PTFE T-15	3465060	2000.00
8"	3 Layer PTFE T-G	3465080	2500.00
10"	3 Layer PTFE T-G	3465100	3125.00
1/2"-3/4"	Nitrile T-14	3276007	14.00
1"-1-1/4"	Nitrile T-14	3276012	18.00
1-1/2"	Nitrile T-14	3276015	26.00
2"	Nitrile T-14	3276020	36.00
2-1/2"	Nitrile T-14	3276025	61.00
3"	Nitrile T-14	3276030	76.00
4"	Nitrile T-14	3276040	86.00
5"	Nitrile T-15	3276050	189.00
6"	Nitrile T-15	3276060	266.00
8"	Nitrile T-G	3145080	468.00
10"	Nitrile T-G	3145100	749.00
1/2"-3/4"	FKM T-14	3288005	101.00
1"-1-1/4"	FKM T-14	3288010	154.00
1-1/2"	FKM T-14	3288015	219.00
2"	FKM T-14	3288020	288.00
2-1/2"	FKM T-14	3288025	399.00
3"	FKM T-14	3288030	596.00
4"	FKM T-14	3288040	936.00
Discount Code		C	

Diaphragm Valves



DV-B One Piece Stem Extension

Stem Extensions					
One Piece Stem Extension - Style DV-B			Part Number	List Price	Option Code
1st Ft.		1st Ft.			EB1
1/2" - 2"	Carbon Steel	1469020	441.00	EB1	
2-1/2" - 6"	Carbon Steel	1469060	441.00		
8" - 10"	Carbon Steel	1469100	441.00		
1/2" - 2"	300 SS	1470020	508.00	EB2	
2-1/2" - 6"	300 SS	1470060	508.00		
8" - 10"	300 SS	1470100	508.00		
1/2" - 2"	316 SS	1471020	555.00	EB2	
2-1/2" - 6"	316 SS	1471060	555.00		
8" - 10"	316 SS	1471100	555.00		
One Piece Stem Extension - Style DV-B			Part Number	List Price	Option Code
Add'l Ft.		Add'l Ft.			EB1
1/2" - 2"	Carbon Steel	1469021	70.00	EB1	
2-1/2" - 6"	Carbon Steel	1469061	70.00		
8" - 10"	Carbon Steel	1469101	70.00		
1/2" - 2"	300 SS	1470021	82.00	EB2	
2-1/2" - 6"	300 SS	1470061	82.00		
8" - 10"	300 SS	1470101	82.00		
1/2" - 2"	316 SS	1471021	110.00	EB3	
2-1/2" - 6"	316 SS	1471061	110.00		
8" - 10"	316 SS	1471101	110.00		
Specify Dimension A or B _____ FT _____ IN					
Discount Code				C	



DV-A Two Piece Stem Extension

Two Piece Stem Extension - Style DV-A			Part Number	List Price	Option Code
1st Ft.		1st Ft.			E5
1/2" - 2"	Carbon Steel x PVC	1472020	917.00	E5	
2-1/2" - 6"	Carbon Steel x PVC	1472060	1000.00		
8" - 10"	Carbon Steel x PVC	1472100	1043.00		
1/2" - 2"	300 SS x PVC	1473020	921.00	E5	
2-1/2" - 6"	300 SS x PVC	1473060	1005.00		
8" - 10"	300 SS x PVC	1473100	1048.00		
1/2" - 2"	316 SS x PVC	1474020	969.00	E5	
2-1/2" - 6"	316 SS x PVC	1474060	1056.00		
8" - 10"	316 SS x PVC	1474100	1100.00		
Two Piece Stem Extension - Style DV-A			Part Number	List Price	Option Code
Add'l Ft.		Add'l Ft.			E5
1/2" - 2"	Carbon Steel x PVC	1472021	96.00	E5	
2-1/2" - 6"	Carbon Steel x PVC	1472061	102.00		
8" - 10"	Carbon Steel x PVC	1472101	109.00		
1/2" - 2"	300 SS x PVC	1473021	110.00	E6	
2-1/2" - 6"	300 SS x PVC	1473061	115.00		
8" - 10"	300 SS x PVC	1473101	123.00		
1/2" - 2"	316 SS x PVC	1474021	152.00	E7	
2-1/2" - 6"	316 SS x PVC	1474061	160.00		
8" - 10"	316 SS x PVC	1474101	168.00		
Specify Dimension A or B _____ FT _____ IN					
Discount Code				C	

Diaphragm Valves

Stem Extensions				
Two Piece Stem Extension Landfill - Style DV-A		Part Number	List Price	Option Code
First Ft.		First Ft.		
1/2" - 2"	Carbon Steel x Carbon Steel	1475020	939.00	E5
2-1/2" - 6"	Carbon Steel x Carbon Steel	1475060	1023.00	
8" - 10"	Carbon Steel x Carbon Steel	1475100	1069.00	
Add'l Ft.		Add'l Ft.		
1/2" - 2"	Carbon Steel x Carbon Steel	1475021	128.00	E7
2-1/2" - 6"	Carbon Steel x Carbon Steel	1475061	174.00	
8" - 10"	Carbon Steel x Carbon Steel	1475101	207.00	
Specify Dimension A or B _____ FT _____ IN				
Discount Code			C	

1. Housing is PVC for buried service.
2. All carbon steel extensions have a baked powder coating.
3. Maximum length is 12', material is carbon steel, for stainless steel & extended lengths please consult factory.
4. Specify styles & dimensions. (refer to Valve Catalog.)
5. Stem extensions available in other materials upon request.

Wall Support	Part Number	List Price	Option Code
Wall Support	3021000	220.00	WS
T-Wrench 5 Foot Carbon Steel	3008000	183.00	TW
Discount Code		C	

Valve Sizes	Valve Type	Chain Operators, Chain, Masterlink	Part number	List Price	Option Code
1/2" - 1-1/4"	Type-14	Babbitt Chainwheel Operator	3061001	206.00	G3
1/2" - 1-1/4"	Type-14	Chain (per Foot)	3062001	6.00	Enter Length
1/2" - 1-1/4"	Type-14	Masterlink for Chain	3162020	17.00	1 per length
1-1/2" - 2"	Type-14	Babbitt Chainwheel Operator	3061010	206.00	G3
1-1/2" - 2"	Type-14	Chain (per Foot)	3062020	6.00	Enter Length
1-1/2" - 2"	Type-14	Masterlink for Chain	3162020	17.00	1 per length
2-1/2" - 3"	Type-14	Babbitt Chainwheel Operator	3061020	206.00	G3
2-1/2" - 3"	Type-14	Chain (per Foot)	3062020	6.00	Enter Length
2-1/2" - 3"	Type-14	Masterlink for Chain	3162020	17.00	1 per length
4"	Type-14	Babbitt Chainwheel Operator	3061025	206.00	G3
4"	Type-14	Chain (per Foot)	3062025	6.00	Enter Length
4"	Type-14	Masterlink for Chain	3162040	17.00	1 per length
6"	Type-15	Babbitt Chainwheel Operator	3061030	286.00	G3
6"	Type-15	Chain (per Foot)	3062030	6.00	Enter Length
6"	Type-15	Masterlink for Chain	3162040	17.00	1 per length
8"	Type-G/72	Babbitt Chainwheel Operator	3061035	411.00	G3
8"	Type-G/72	Chain (per Foot)	3062035	6.00	Enter Length
8"	Type-G/72	Masterlink for Chain	3162040	17.00	1 per length
10"	Type-G/72	Babbitt Chainwheel Operator	3061040	411.00	G3
10"	Type-G/72	Chain (per Foot)	3062040	6.00	Enter Length
10"	Type-G/72	Masterlink for Chain	3162040	17.00	1 per length
Discount Code			C		

Diaphragm Valves



Type-14
Socket



Type-14
Threaded

PVC Type-14 Pneumatic Air-to-Air Diaphragm Valves - True-Union							
Size	PVC Body PPG Bonnet	EPDM Diaphragm			PTFE Diaphragm		
		Socket	Threaded	List Price	Socket	Threaded	List Price
	Diaphragm Valves	Part Number	Part Number		Part Number	Part Number	
1/2"	True-Union	1577005	1576005	373.00	1579005	1578005	477.00
3/4"	True-Union	1577007	1576007	395.00	1579007	1578007	506.00
1"	True-Union	1577010	1576010	421.00	1579010	1578010	540.00
1-1/4"	True-Union	1577012	1576012	529.00	1579012	1578012	677.00
1-1/2"	True-Union	1577015	1576015	661.00	1579015	1578015	847.00
2"	True-Union	1577020	1576020	807.00	1579020	1578020	1034.00
Discount Code				C	C		

CPVC Type-14 Pneumatic Air-to-Air Diaphragm Valves - True-Union							
Size	CPVC Body PPG Bonnet	EPDM Diaphragm			PTFE Diaphragm		
		Socket	Threaded	List Price	Socket	Threaded	List Price
	Diaphragm Valves	Part Number	Part Number		Part Number	Part Number	
1/2"	True-Union	1581005	1580005	588.00	1583005	1582005	617.00
3/4"	True-Union	1581007	1580007	606.00	1583007	1582007	650.00
1"	True-Union	1581010	1580010	624.00	1583010	1582010	701.00
1-1/4"	True-Union	1581012	1580012	641.00	1583012	1582012	817.00
1-1/2"	True-Union	1581015	1580015	802.00	1583015	1582015	837.00
2"	True-Union	1581020	1580020	853.00	1583020	1582020	916.00
Discount Code				C	C		

PVC Type-14 Pneumatic Air-to-Spring Diaphragm Valves - True-Union							
Size	PVC Body PPG Bonnet	EPDM Diaphragm			PTFE Diaphragm		
		Socket	Threaded	List Price	Socket	Threaded	List Price
	Diaphragm Valves	Part Number	Part Number		Part Number	Part Number	
1/2"	True-Union	1589005	1591005	373.00	1588005	1590005	477.00
3/4"	True-Union	1589007	1591007	395.00	1588007	1590007	506.00
1"	True-Union	1589010	1591010	421.00	1588010	1590010	540.00
1-1/4"	True-Union	1589012	1591012	529.00	1588012	1590012	677.00
1-1/2"	True-Union	1589015	1591015	661.00	1588015	1590015	847.00
2"	True-Union	1589020	1591020	807.00	1588020	1590020	1034.00
Discount Code				C	C		

CPVC Type-14 Pneumatic Air-to-Spring Diaphragm Valves - True-Union							
Size	CPVC Body PPG Bonnet	EPDM Diaphragm			PTFE Diaphragm		
		Socket	Threaded	List Price	Socket	Threaded	List Price
	Diaphragm Valves	Part Number	Part Number		Part Number	Part Number	
1/2"	True-Union	1597005	1599005	691.00	1596005	1598005	802.00
3/4"	True-Union	1597007	1599007	738.00	1596007	1598007	862.00
1"	True-Union	1597010	1599010	776.00	1596010	1598010	941.00
1-1/4"	True-Union	1597012	1599012	933.00	1596012	1598012	1122.00
1-1/2"	True-Union	1597015	1599015	1085.00	1596015	1598015	1245.00
2"	True-Union	1597020	1599020	1439.00	1596020	1598020	1735.00
Discount Code				C	C		

1. Air-to-spring actuators are supplied as Fail Closed. For Fail Open, please specify when ordering.
2. All diaphragm valves with PTFE diaphragm include PVDF gas barrier.

Diaphragm Valves

Polypropylene Type-14 Pneumatic Air-to-Air Diaphragm Valves - True-Union						
Size	PP Body PPG Bonnet	EPDM Diaphragm				List Price
		DIN Socket	IPS Socket	Threaded	Butt	
	Diaphragm Valves	Part Number	Part Number	Part Number	Part Number	
1/2"	True-Union	1847005	1860005	1848005	1861005	575.00
3/4"	True-Union	1847007	1860007	1848007	1861007	594.00
1"	True-Union	1847010	1860010	1848010	1861010	613.00
1-1/4"	True-Union	1847012	1860012	1848012	1861012	620.00
1-1/2"	True-Union	1847015	1860015	1848015	1861015	777.00
2"	True-Union	1847020	1860020	1848020	1861020	814.00
Discount Code						C



Polypropylene Type-14 Pneumatic Air-to-Air Diaphragm Valves - True-Union						
Size	PP Body PPG Bonnet	PTFE Diaphragm				List Price
		DIN Socket	IPS Socket	Threaded	Butt	
	Diaphragm Valves	Part Number	Part Number	Part Number	Part Number	
1/2"	True-Union	1849005	1859005	1850005	1862005	609.00
3/4"	True-Union	1849007	1859007	1850007	1862007	639.00
1"	True-Union	1849010	1859010	1850010	1862010	688.00
1-1/4"	True-Union	1849012	1859012	1850012	1862012	828.00
1-1/2"	True-Union	1849015	1859015	1850015	1862015	833.00
2"	True-Union	1849020	1859020	1850020	1862020	877.00
Discount Code						C



Polypropylene Type-14 Pneumatic Air-to-Spring Diaphragm Valves - True-Union						
Size	PP Body PPG Bonnet	EPDM Diaphragm				List Price
		DIN Socket	IPS Socket	Threaded	Butt	
	Diaphragm Valves	Part Number	Part Number	Part Number	Part Number	
1/2"	True-Union	1844005	1865005	1842005	1867005	684.00
3/4"	True-Union	1844007	1865007	1842007	1867007	724.00
1"	True-Union	1844010	1865010	1842010	1867010	759.00
1-1/4"	True-Union	1844012	1865012	1842012	1867012	904.00
1-1/2"	True-Union	1844015	1865015	1842015	1867015	1049.00
2"	True-Union	1844020	1865020	1842020	1867020	1376.00
Discount Code						C



Polypropylene Type-14 Pneumatic Air-to-Spring Diaphragm Valves - True-Union						
Size	PP Body PPG Bonnet	PTFE Diaphragm				List Price
		DIN Socket	IPS Socket	Threaded	Butt	
	Diaphragm Valves	Part Number	Part Number	Part Number	Part Number	
1/2"	True-Union	1843005	1866005	1841005	1868005	794.00
3/4"	True-Union	1843007	1866007	1841007	1868007	847.00
1"	True-Union	1843010	1866010	1841010	1868010	923.00
1-1/4"	True-Union	1843012	1866012	1841012	1868012	1089.00
1-1/2"	True-Union	1843015	1866015	1841015	1868015	1207.00
2"	True-Union	1843020	1866020	1841020	1868020	1663.00
Discount Code						C

Diaphragm Valves

1. Air-to-spring actuators are supplied as Fail Closed. For Fail Open, please specify when ordering.
2. All diaphragm valves with PTFE diaphragm include PVDF gas barrier.



DIN/IPS Socket



Threaded



Butt

Diaphragm Valves

PVDF Type-14 Pneumatic Air-to-Air Diaphragm Valves - True-Union						
Size	PVDF Body PPG Bonnet Diaphragm Valves	EPDM Diaphragm				List Price
		DIN Socket Part Number	IPS Socket Part Number	Threaded Part Number	Butt Part Number	
1/2"	True-Union	1892005	1895005	1893005	1894005	600.00
3/4"	True-Union	1892007	1895007	1893007	1894007	627.00
1"	True-Union	1892010	1895010	1893010	1894010	633.00
1-1/4"	True-Union	1892012	1895012	1893012	1894012	782.00
1-1/2"	True-Union	1892015	1895015	1893015	1894015	864.00
2"	True-Union	1892020	1895020	1893020	1894020	1168.00
Discount Code						C

PVDF Type-14 Pneumatic Air-to-Air Diaphragm Valves - True-Union						
Size	PVDF Body PPG Bonnet Diaphragm Valves	PTFE Diaphragm				List Price
		DIN Socket Part Number	IPS Socket Part Number	Threaded Part Number	Butt Part Number	
1/2"	True-Union	1846005	1863005	1845005	1864005	667.00
3/4"	True-Union	1846007	1863007	1845007	1864007	697.00
1"	True-Union	1846010	1863010	1845010	1864010	703.00
1-1/4"	True-Union	1846012	1863012	1845012	1864012	869.00
1-1/2"	True-Union	1846015	1863015	1845015	1864015	957.00
2"	True-Union	1846020	1863020	1845020	1864020	1297.00
Discount Code						C

PVDF Type-14 Pneumatic Air-to-Spring Diaphragm Valves - True-Union						
Size	PVDF Body PPG Bonnet Diaphragm Valves	EPDM Diaphragm				List Price
		DIN Socket Part Number	IPS Socket Part Number	Threaded Part Number	Butt Part Number	
1/2"	True-Union	1884005	1887005	1885005	1886005	895.00
3/4"	True-Union	1884007	1887007	1885007	1886007	938.00
1"	True-Union	1884010	1887010	1885010	1886010	991.00
1-1/4"	True-Union	1884012	1887012	1885012	1886012	1223.00
1-1/2"	True-Union	1884015	1887015	1885015	1886015	1383.00
2"	True-Union	1884020	1887020	1885020	1886020	1944.00
Discount Code						C

PVDF Type-14 Pneumatic Air-to-Spring Diaphragm Valves - True-Union						
Size	PVDF Body PPG Bonnet Diaphragm Valves	PTFE Diaphragm				List Price
		DIN Socket Part Number	IPS Socket Part Number	Threaded Part Number	Butt Part Number	
1/2"	True-Union	1834005	1869005	1833005	1870005	996.00
3/4"	True-Union	1834007	1869007	1833007	1870007	1043.00
1"	True-Union	1834010	1869010	1833010	1870010	1101.00
1-1/4"	True-Union	1834012	1869012	1833012	1870012	1399.00
1-1/2"	True-Union	1834015	1869015	1833015	1870015	1539.00
2"	True-Union	1834020	1869020	1833020	1870020	2162.00
Discount Code						C

1. Air-to-spring actuators are supplied as Fail Closed. For Fail Open, please specify when ordering.
2. All diaphragm valves with PTFE diaphragm include PVDF gas barrier.

PVC Type-14 Pneumatic Air-to-Air Diaphragm Valves - Flanged					
Size	PVC Body PPG Bonnet	EPDM Diaphragm		PTFE Diaphragm	
	Diaphragm Valves	Part Number	List Price	Part Number	List Price
1/2"	Flanged	1413005	373.00	1414005	477.00
3/4"	Flanged	1413007	395.00	1414007	506.00
1"	Flanged	1413010	421.00	1414010	540.00
1-1/4"	Flanged	1413012	529.00	1414012	677.00
1-1/2"	Flanged	1413015	661.00	1414015	847.00
2"	Flanged	1413020	807.00	1414020	1034.00
Discount Code			C	C	



A-A Flanged

CPVC Type-14 Pneumatic Air-to-Air Diaphragm Valves - Flanged					
Size	CPVC Body PPG Bonnet	EPDM Diaphragm		PTFE Diaphragm	
	Diaphragm Valves	Part Number	List Price	Part Number	List Price
1/2"	Flanged	1415005	578.00	1416005	620.00
3/4"	Flanged	1415007	600.00	1416007	641.00
1"	Flanged	1415010	614.00	1416010	656.00
1-1/4"	Flanged	1415012	627.00	1416012	767.00
1-1/2"	Flanged	1415015	782.00	1416015	837.00
2"	Flanged	1415020	854.00	1416020	1109.00
Discount Code			C	C	



A-S Flanged

PVC Type-14 Pneumatic Air-to-Spring Diaphragm Valves - Flanged					
Size	PVC Body PPG Bonnet	EPDM Diaphragm		PTFE Diaphragm	
	Diaphragm Valves	Part Number	List Price	Part Number	List Price
1/2"	Flanged	1423005	373.00	1424005	477.00
3/4"	Flanged	1423007	395.00	1424007	506.00
1"	Flanged	1423010	421.00	1424010	540.00
1-1/4"	Flanged	1423012	529.00	1424012	677.00
1-1/2"	Flanged	1423015	661.00	1424015	847.00
2"	Flanged	1423020	807.00	1424020	1034.00
Discount Code			C	C	

CPVC Type-14 Pneumatic Air-to-Spring Diaphragm Valves - Flanged					
Size	CPVC Body PPG Bonnet	EPDM Diaphragm		PTFE Diaphragm	
	Diaphragm Valves	Part Number	List Price	Part Number	List Price
1/2"	Flanged	1425005	748.00	1426005	924.00
3/4"	Flanged	1425007	782.00	1426007	957.00
1"	Flanged	1425010	816.00	1426010	996.00
1-1/4"	Flanged	1425012	1055.00	1426012	1324.00
1-1/2"	Flanged	1425015	1106.00	1426015	1378.00
2"	Flanged	1425020	1527.00	1426020	1890.00
Discount Code			C	C	

1. Air-to-spring actuators are supplied as Fail Closed. For Fail Open, please specify when ordering.
2. All diaphragm valves with PTFE diaphragm include PVDF gas barrier.

Diaphragm Valves



A-A Flanged

Polypropylene Type-14 Pneumatic Air-to-Air Diaphragm Valves - Flanged					
Size	PP Body PPG Bonnet	EPDM Diaphragm		PTFE Diaphragm	
	Diaphragm Valves	Part Number	List Price	Part Number	List Price
1/2"	Flanged	1417005	572.00	1418005	613.00
3/4"	Flanged	1417007	585.00	1418007	626.00
1"	Flanged	1417010	597.00	1418010	642.00
1-1/4"	Flanged	1417012	605.00	1418012	774.00
1-1/2"	Flanged	1417015	752.00	1418015	833.00
2"	Flanged	1417020	805.00	1418020	1048.00
Discount Code			C	C	



A-S Flanged

PVDF Type-14 Pneumatic Air-to-Air Diaphragm Valves - Flanged					
Size	PVDF Body PPG Bonnet	EPDM Diaphragm		PTFE Diaphragm	
	Diaphragm Valves	Part Number	List Price	Part Number	List Price
1/2"	Flanged	1421005	622.00	1419005	689.00
3/4"	Flanged	1421007	651.00	1419007	723.00
1"	Flanged	1421010	697.00	1419010	777.00
1-1/4"	Flanged	1421012	928.00	1419012	1033.00
1-1/2"	Flanged	1421015	988.00	1419015	1098.00
2"	Flanged	1421020	1265.00	1419020	1405.00
Discount Code			C	C	

Polypropylene Type-14 Pneumatic Air-to-Spring Diaphragm Valves - Flanged					
Size	PP Body PPG Bonnet	EPDM Diaphragm		PTFE Diaphragm	
	Diaphragm Valves	Part Number	List Price	Part Number	List Price
1/2"	Flanged	1427005	767.00	1428005	914.00
3/4"	Flanged	1427007	815.00	1428007	960.00
1"	Flanged	1427010	854.00	1428010	1000.00
1-1/4"	Flanged	1427012	1090.00	1428012	1311.00
1-1/2"	Flanged	1427015	1164.00	1428015	1383.00
2"	Flanged	1427020	1570.00	1428020	1857.00
Discount Code			C	C	

PVDF Type-14 Pneumatic Air-to-Spring Diaphragm Valves - Flanged					
Size	PVDF Body PPG Bonnet	EPDM Diaphragm		PTFE Diaphragm	
	Diaphragm Valves	Part Number	List Price	Part Number	List Price
1/2"	Flanged	1422005	917.00	1429005	1018.00
3/4"	Flanged	1422007	964.00	1429007	1067.00
1"	Flanged	1422010	1000.00	1429010	1111.00
1-1/4"	Flanged	1422012	1450.00	1429012	1612.00
1-1/2"	Flanged	1422015	1508.00	1429015	1678.00
2"	Flanged	1422020	2041.00	1429020	2266.00
Discount Code			C	C	

1. Air to spring actuators are supplied as Fail Closed. For Fail Open, please specify when ordering.
2. All diaphragm valves with PTFE diaphragm include PVDF gas barrier.

Diaphragm Valves

Type-14 Actuator Options	Part Number	List Price	Option Code
NEMA 4X Double Limit Switch	2460779	1379.00	G5
NEMA 4X Plastic 120 VAC Solenoid	2401779	216.00	G6
NEMA 7 Plastic 120 VAC Solenoid	2401780	449.00	G7
PST-202 SMART 4-20mA Positioner			
Air-to-Air (Standard with Transmitter)	2417420	2754.00	C1
Air-to-Spring (Standard with Transmitter)	2417420	2754.00	
Positioner & Transmitter with HART Protocol	2417425	4174.00	HA
PST-101 3-15 PSI Positioner			
Air-to-Air	2418315	1811.00	C2
Air-to-Spring	2418315	1811.00	
Manual Override	2455000	78.00	DC
Travel Stop	2452000	53.00	TS
Discount Code		C	

Size	Electric Actuator w/Mtg for Type-14 Diaphragm	Part Number	List Price	Option Code
1/2"	Series 92 Multi-Turn	2409005	2128.00	92
3/4"	Series 92 Multi-Turn	2409007	2128.00	
1"	Series 92 Multi-Turn	2409010	2128.00	
1-1/4"	Series 92 Multi-Turn	2409012	2203.00	
1-1/2"	Series 92 Multi-Turn	2409015	2203.00	
2"	Series 92 Multi-Turn	2409020	2203.00	
2-1/2"	Series 92 Multi-Turn	2409025	2325.00	
3"	Series 92 Multi-Turn	2409030	2325.00	
4"	Series 92 Multi-Turn	2409040	3104.00	
Discount Code		C		

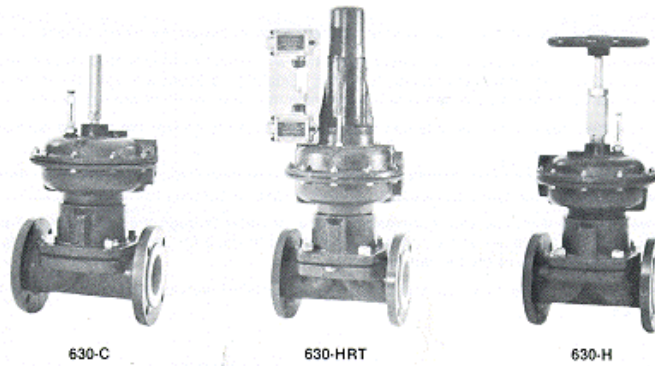
1. Actuator & mounting only, please add valve to above price.
2. Includes: Series 92 120 VAC multi-turn electric actuator with 2 end of travel and 2 extra limit switches, manual override, beacon indicator. Factory mounted and tested. Consult factory for cycle times.
3. Not sold without factory installed valve.

Options for Open/Close Service Series 92 Electric Actuators	Part Number	List Price	Option Code
Heater & Thermostat	2127001	130.00	HT
Feedback Potentiometer	2129001	203.00	P
2-Wire Control Relay	2102001	149.00	2W
Local/Remote Station	2190000	834.00	LR
Discount Code		C	

Options for Modulating Service Series 92 Electric Actuators	Part Number	List Price	Option Code
Heater & Thermostat	2127001	130.00	HT
4-20 Ma Positioner	2130811	1057.00	C1
4-20 Ma Output w/ 2 extra Limit Switches	2130813	348.00	C3
Modbus Interface Card*	2130821	623.00	MB
Local/Remote Selector Station	2190001	1276.00	LR
Discount Code		C	

*Requires DHC-Series digital positioner,

Diaphragm Valves



Actuator housing, bonnets, and spring cases are made from ASTM 159-70, a high grade pressure type cast iron with 30,000 pounds per square inch tensile strength. Actuator diaphragms are specially reinforced with nylon and are constructed to offer resistance to ballooning and other forms of deformation. As a result, substantially higher operating air pressures can be used to achieve valve closure than is permissible with competitive actuators of aluminum or pressed steel.

To facilitate parts inventory and to lower maintenance costs, most components such as actuator diaphragms, seal assemblies, push-rods, etc., are interchangeable between the three models of actuators, viz., spring/open, spring/closed and air-to-air.

To meet any present or future OSHA requirements, the powerful springs in the spring-closed actuator can be fully relaxed prior to dismantling for service. This exclusive feature prevents the spring case housing from becoming a deadly projectile during dismantling for service.

The totally enclosed and epoxy coated non-aluminum construction provides complete protection against the effects of caustic atmospheres and cleaning solutions.

A valve position indicator is included as standard equipment on all Century actuators to show the position of the valve in its stroke.

A complete and detailed record is on file at the factory on every valve manufactured during the years since 1950. Keyed to the serial number that appears on the data plate attached to the valve bonnet, this file provides a means of speedily obtaining any information required on every valve we have ever produced.

Required Ordering Information

Line Pressure	_____ psi			
Air Pressure	_____ psi			
Diaphragm Material	EPDM	FKM	Nitrile	PTFE
Valve Size	_____			
Accessories:	Solenoid	120	220	12/24 AC/DC
	Positioners	4-20mA		3-15 psi
Limit Switches	NEMA 4	NEMA 7		

PVC Ball Check Valves					
Size	PVC Ball Check Valves	EPDM O-Rings		FKM O-Rings	
		Part Number	List Price	Part Number	List Price
1/2"	Socket/Threaded Combo	1210005	77.00	1213005	98.00
3/4"	Socket/Threaded Combo	1210007	88.00	1213007	122.00
1"	Socket/Threaded Combo	1210010	112.00	1213010	162.00
1-1/4"	Socket/Threaded Combo	1210012	182.00	1213012	300.00
1-1/2"	Socket/Threaded Combo	1210015	182.00	1213015	300.00
2"	Socket/Threaded Combo	1210020	256.00	1213020	378.00
3"	Socket	1210030	576.00	1213030	961.00
3"	Threaded	1211030	576.00	1214030	961.00
4"	Socket	1210040	1153.00	1213040	1992.00
4"	Threaded	1211040	1153.00	1214040	1992.00
Discount Code		F		F	



1/2" - 2"
Soc/Thd

1. All PVC ball check valves are - NSF-61 approved.
2. 1-1/4" valve is 1-1/2" valve with 1-1/2" X 1-1/4" reducing end connectors.
3. 3" and 4" valves are single union design.

CPVC Ball Check Valves					
Size	CPVC Ball Check Valves	EPDM O-Rings		FKM O-Rings	
		Part Number	List Price	Part Number	List Price
1/2"	Socket/Threaded Combo	1216005	110.00	1219005	119.00
3/4"	Socket/Threaded Combo	1216007	137.00	1219007	142.00
1"	Socket/Threaded Combo	1216010	161.00	1219010	166.00
1-1/4"	Socket/Threaded Combo	1216012	283.00	1219012	345.00
1-1/2"	Socket/Threaded Combo	1216015	283.00	1219015	345.00
2"	Socket/Threaded Combo	1216020	378.00	1219020	426.00
3"	Socket	1216030	722.00	1219030	1081.00
3"	Threaded	1217030	722.00	1220030	1081.00
4"	Socket	1216040	2008.00	1219040	2557.00
4"	Threaded	1217040	2008.00	1220040	2557.00
Discount Code		F		F	



3" - 4"
Socket



3" - 4"
Threaded

1. 1-1/4" valve is 1-1/2" valve with 1-1/2" X 1-1/4" reducing end connectors.
2. 3" and 4" valves are single union design.

PVC Ball Check Valves - Flanged					
Size	PVC Ball Check Valves	EPDM O-Rings		FKM O-Rings	
		Part Number	List Price	Part Number	List Price
1/2"	Flanged	1212005	141.00	1215005	200.00
3/4"	Flanged	1212007	171.00	1215007	216.00
1"	Flanged	1212010	233.00	1215010	295.00
1-1/4"	Flanged	1212012	450.00	1215012	562.00
1-1/2"	Flanged	1212015	450.00	1215015	562.00
2"	Flanged	1212020	621.00	1215020	797.00
3"	Flanged	1212030	1076.00	1215030	1439.00
4"	Flanged	1212040	1793.00	1215040	2229.00
Discount Code		A		A	



1/2" - 4"
Flanged

1. All PVC ball check valves are - NSF-61 approved.
2. 1-1/4" valve is 1-1/2" valve with 1-1/2" X 1-1/4" reducing end connectors.
3. 3" and 4" valves are single union design.

CPVC Ball Check Valves - Flanged					
Size	CPVC Ball Check Valves	EPDM O-Rings		FKM O-Rings	
		Part Number	List Price	Part Number	List Price
1/2"	Flanged	1218005	193.00	1221005	250.00
3/4"	Flanged	1218007	225.00	1221007	280.00
1"	Flanged	1218010	307.00	1221010	366.00
1-1/4"	Flanged	1218012	604.00	1221012	761.00
1-1/2"	Flanged	1218015	604.00	1221015	761.00
2"	Flanged	1218020	831.00	1221020	1015.00
3"	Flanged	1218030	1441.00	1221030	1851.00
4"	Flanged	1218040	2757.00	1221040	3186.00
Discount Code		A		A	



Certified to
NSF/ANSI 61

Ball Check Valves

1. 1-1/4" valve is 1-1/2" valve with 1-1/2" X 1-1/4" reducing end connectors.
2. 3" and 4" valves are single union design.



**IPS/DIN
Socket
1/2" - 2"**

Polypropylene Ball Check Valves						
Size	PP Ball Check Valves	DIN Socket	IPS Socket	Threaded	Butt	List Price
		Part Number	Part Number	Part Number	Part Number	
1/2"	EPDM O-Rings	1272005	1222005	1223005	1224005	63.00
3/4"	EPDM O-Rings	1272007	1222007	1223007	1224007	87.00
1"	EPDM O-Rings	1272010	1222010	1223010	1224010	93.00
1-1/4"	EPDM O-Rings	1272012	1222012	1223012	1224012	179.00
1-1/2"	EPDM O-Rings	1272015	1222015	1223015	1224015	179.00
2"	EPDM O-Rings	1272020	1222020	1223020	1224020	227.00
3"	EPDM O-Rings	1272030	1222030	1223030	1224030	650.00
4"	EPDM O-Rings	1272040	1222040	1223040	1224040	1336.00
Discount Code						B



**Threaded
1/2" - 2"**

Polypropylene Ball Check Valves						
Size	PP Ball Check Valves	DIN Socket	IPS Socket	Threaded	Butt	List Price
		Part Number	Part Number	Part Number	Part Number	
1/2"	FKM O-Rings	1276005	1226005	1227005	1228005	63.00
3/4"	FKM O-Rings	1276007	1226007	1227007	1228007	87.00
1"	FKM O-Rings	1276010	1226010	1227010	1228010	93.00
1-1/4"	FKM O-Rings	1276012	1226012	1227012	1228012	179.00
1-1/2"	FKM O-Rings	1276015	1226015	1227015	1228015	179.00
2"	FKM O-Rings	1276020	1226020	1227020	1228020	227.00
3"	FKM O-Rings	1276030	1226030	1227030	1228030	650.00
4"	FKM O-Rings	1276040	1226040	1227040	1228040	1336.00
Discount Code						B



**Butt
1/2" - 2"**

Polypropylene Ball Check Valves - Flanged					
Size	PP Ball Check Valves	EPDM O-Rings		FKM O-Rings	
		Part Number	List Price	Part Number	List Price
1/2"	Flanged	1225005	208.00	1229005	208.00
3/4"	Flanged	1225007	238.00	1229007	238.00
1"	Flanged	1225010	322.00	1229010	322.00
1-1/4"	Flanged	1225012	654.00	1229012	654.00
1-1/2"	Flanged	1225015	654.00	1229015	654.00
2"	Flanged	1225020	876.00	1229020	876.00
3"	Flanged	1225030	1301.00	1229030	1301.00
4"	Flanged	1225040	2064.00	1229040	2064.00
Discount Code			B	B	



**Flanged
1/2" - 4"**

1. 1-1/4" valve is 1-1/2" valve with 1-1/2" X 1-1/4" reducing end connectors.
2. 3" and 4" valves are single union design.

Ball Check Valves

PVDF Ball Check Valves						
Size	PVDF Ball Check Valves	DIN Socket	IPS Socket	Threaded	Butt	List Price
		Part Number	Part Number	Part Number	Part Number	
1/2"	FKM O-Rings	1290005	1230005	1231005	1232005	173.00
3/4"	FKM O-Rings	1290007	1230007	1231007	1232007	248.00
1"	FKM O-Rings	1290010	1230010	1231010	1232010	322.00
1-1/4"	FKM O-Rings	1290012	1230012	1231012	1232012	670.00
1-1/2"	FKM O-Rings	1290015	1230015	1231015	1232015	670.00
2"	FKM O-Rings	1290020	1230020	1231020	1232020	867.00
3"	FKM O-Rings	1290030	1230030	1231030	1232030	1506.00
4"	FKM O-Rings	1290040	1230040	1231040	1232040	3581.00
Discount Code						B



**IPS/DIN Socket
1/2" - 2"**



**Threaded
1/2" - 2"**



**Butt
1/2" - 2"**

PVDF Ball Check Valves - Flanged			
Size	PVDF Ball Check Valves	FKM O-Rings	
		Part Number	List Price
1/2"	Flanged	1233005	465.00
3/4"	Flanged	1233007	540.00
1"	Flanged	1233010	801.00
1-1/4"	Flanged	1233012	1379.00
1-1/2"	Flanged	1233015	1379.00
2"	Flanged	1233020	1560.00
3"	Flanged	1233030	3083.00
4"	Flanged	1233040	5451.00
Discount Code			B



**Flanged
1/2" - 4"**

1. 1-1/4" valve is 1-1/2" valve with 1-1/2" X 1-1/4" reducing end connectors.
2. 3" and 4" valves are single union design.

Ball Check Valves



Foot Valves

PVC Foot Valves - Socket					
Size	PVC Ball Foot Valves	EPDM O-Rings		FKM O-Rings	
		Part Number	List Price	Part Number	List Price
1/2"	Socket	1235005	100.00	1238005	145.00
3/4"	Socket	1235007	113.00	1238007	159.00
1"	Socket	1235010	147.00	1238010	200.00
1-1/2"	Socket	1235015	282.00	1238015	418.00
2"	Socket	1235020	328.00	1238020	499.00
3"	Socket	1235030	783.00	1238030	1140.00
4"	Socket	1235040	1375.00	1238040	1757.00
Discount Code			A	A	

PVC Foot Valves - Threaded					
Size	PVC Ball Foot Valves	EPDM O-Rings		FKM O-Rings	
		Part Number	List Price	Part Number	List Price
1/2"	Threaded	1236005	100.00	1239005	145.00
3/4"	Threaded	1236007	113.00	1239007	159.00
1"	Threaded	1236010	147.00	1239010	200.00
1-1/2"	Threaded	1236015	282.00	1239015	418.00
2"	Threaded	1236020	328.00	1239020	499.00
3"	Threaded	1236030	783.00	1239030	1140.00
4"	Threaded	1236040	1375.00	1239040	1757.00
Discount Code			A	A	

PVC Foot Valves - Flanged					
Size	PVC Ball Foot Valves	EPDM O-Rings		FKM O-Rings	
		Part Number	List Price	Part Number	List Price
1/2"	Flanged	1237005	130.00	1240005	189.00
3/4"	Flanged	1237007	159.00	1240007	211.00
1"	Flanged	1237010	208.00	1240010	276.00
1-1/2"	Flanged	1237015	409.00	1240015	579.00
2"	Flanged	1237020	504.00	1240020	705.00
3"	Flanged	1237030	1050.00	1240030	1491.00
4"	Flanged	1237040	1743.00	1240040	2270.00
Discount Code			A	A	

1. 3" and 4" valves single union.

PVC Foot Valve Screens Only			
Size	Foot Screen Only	Part Number	List Price
1/2"	PVC Screen Only	3154005	23.00
3/4"	PVC Screen Only	3154007	25.00
1"	PVC Screen Only	3154010	31.00
1-1/2"	PVC Screen Only	3154015	46.00
2"	PVC Screen Only	3154020	54.00
3"	PVC Screen Only	3154030	116.00
4"	PVC Screen Only	3154040	220.00
Discount Code			A



Foot Valves

CPVC Foot Valve Screens Only			
Size	Foot Screen Only	Part Number	List Price
1/2"	CPVC Screen Only	3155005	26.00
3/4"	CPVC Screen Only	3155007	29.00
1"	CPVC Screen Only	3155010	37.00
1-1/2"	CPVC Screen Only	3155015	56.00
2"	CPVC Screen Only	3155020	70.00
3"	CPVC Screen Only	3155030	162.00
4"	CPVC Screen Only	3155040	340.00
Discount Code			A

PP Foot Valve Screens Only			
Size	Foot Screen Only	Part Number	List Price
1/2"	PP Screen Only	3156005	42.00
3/4"	PP Screen Only	3156007	35.00
1"	PP Screen Only	3156010	47.00
1-1/2"	PP Screen Only	3156015	63.00
2"	PP Screen Only	3156020	76.00
3"	PP Screen Only	3156030	115.00
4"	PP Screen Only	3156040	205.00
Discount Code			A

PVDF Foot Valve Screens Only			
Size	Foot Screen Only	Part Number	List Price
1/2"	PVDF Screen Only	3158005	59.00
3/4"	PVDF Screen Only	3158007	55.00
1"	PVDF Screen Only	3158010	68.00
1-1/2"	PVDF Screen Only	3158015	122.00
2"	PVDF Screen Only	3158020	159.00
3"	PVDF Screen Only	3158030	373.00
4"	PVDF Screen Only	3158040	906.00
Discount Code			A

Kits includes: screen and union nut.

Foot Valves

Size	Uniseat/Seal Kits	Part Number	List Price	Option Code
Uniseat/Seal Kit PVC				
1/2"	EPDM	3348005	12.00	EPT
3/4"	EPDM	3348007	12.00	
1"	EPDM	3348010	16.00	
1-1/4" - 1-1/2"	EPDM	3348015	36.00	
2"	EPDM	3348020	49.00	
3"	EPDM	3348030	91.00	
4"	EPDM	3348040	160.00	
1/2"	FKM	3349005	34.00	FKM
3/4"	FKM	3349007	34.00	
1"	FKM	3349010	44.00	
1-1/4" - 1-1/2"	FKM	3349015	102.00	
2"	FKM	3349020	124.00	
3"	FKM	3349030	253.00	
4"	FKM	3349040	511.00	
Discount Code			C	
Uniseat/Seal Kit CPVC				
1/2"	EPDM	3350005	13.00	EPT
3/4"	EPDM	3350007	13.00	
1"	EPDM	3350010	17.00	
1-1/4" - 1-1/2"	EPDM	3350015	38.00	
2"	EPDM	3350020	53.00	
3"	EPDM	3350030	96.00	
4"	EPDM	3350040	160.00	
1/2"	FKM	3351005	36.00	FKM
3/4"	FKM	3351007	36.00	
1"	FKM	3351010	45.00	
1-1/4" - 1-1/2"	FKM	3351015	104.00	
2"	FKM	3351020	128.00	
3"	FKM	3351030	259.00	
4"	FKM	3351040	511.00	
Discount Code			C	
Uniseat/Seal Kit PP				
1/2"	EPDM	3373005	13.00	EPT
3/4"	EPDM	3373007	13.00	
1"	EPDM	3373010	17.00	
1-1/4" - 1-1/2"	EPDM	3373015	38.00	
2"	EPDM	3373020	53.00	
3"	EPDM	3373030	96.00	
4"	EPDM	3373040	160.00	
1/2"	FKM	3374005	36.00	FKM
3/4"	FKM	3374007	36.00	
1"	FKM	3374010	45.00	
1-1/4" - 1-1/2"	FKM	3374015	104.00	
2"	FKM	3374020	128.00	
3"	FKM	3374030	259.00	
4"	FKM	3374040	511.00	
Discount Code			C	

Check Valves

Size	Uniseat/Seal Kits	Part Number	List Price	Option Code
Uniseat/Seal Kit PVDF				
1/2"	EPDM	3375005	28.00	EPT
3/4"	EPDM	3375007	29.00	
1"	EPDM	3375010	40.00	
1-1/4" - 1-1/2"	EPDM	3375015	75.00	
2"	EPDM	3375020	102.00	
3"	EPDM	3375030	179.00	
4"	EPDM	3375040	272.00	
1/2"	FKM	3376005	50.00	FKM
3/4"	FKM	3376007	52.00	
1"	FKM	3376010	68.00	
1-1/4" - 1-1/2"	FKM	3376015	142.00	
2"	FKM	3376020	178.00	
3"	FKM	3376030	342.00	
4"	FKM	3376040	622.00	
Discount Code			C	
Uniseat/Seal Kit TEF/FKM				
1/2"	TEF/FKM	3361005	66.00	TEF
3/4"	TEF/FKM	3361007	72.00	
1"	TEF/FKM	3361010	86.00	
1-1/4" - 1-1/2"	TEF/FKM	3361015	136.00	
2"	TEF/FKM	3361020	167.00	
3"	TEF/FKM	3361030	343.00	
4"	TEF/FKM	3361040	662.00	
Discount Code			C	

Size	Spring Options	Part Number	List Price	Option Code
1/2"	316 SS	3159005	142.00	Z2
3/4"	316 SS	3159007	142.00	
1"	316 SS	3159010	142.00	
1-1/4" - 1-1/2"	316 SS	3159015	195.00	
2"	316 SS	3159020	294.00	
3"	316 SS	3159030	320.00	
4"	316 SS	3159040	368.00	
1/2"	PTFE Coated 316 SS	3160005	337.00	Z3
3/4"	PTFE Coated 316 SS	3160007	337.00	
1"	PTFE Coated 316 SS	3160010	337.00	
1-1/4" - 1-1/2"	PTFE Coated 316 SS	3160015	391.00	
2"	PTFE Coated 316 SS	3160020	504.00	
3"	PTFE Coated 316 SS	3160030	512.00	
4"	PTFE Coated 316 SS	3160040	560.00	
Discount Code			C	

Springs must be factory installed

Square Valve Tag	Part Number	List Price	Option Code
Stainless	3109000	16.00	T1
Plastic	6512147	16.00	T2
Paper	PAPERTAG	2.85	T3
Discount Code		C	

Clean & Bag	Part Number	List Price	Option Code
1/2" - 1"	9023002	21.00	CB
1-1/4" - 2"	9023003	32.00	
2-1/2" - 4"	9023004	37.00	
Discount Code		C	

Check Valves



HI-PVC

HI-PVC Swing Check Valves - Flanged							
Size	HI-PVC Swing Check Valves	EPDM Seals		FKM Seals		PTFE Seals	
		Part Number	List Price	Part Number	List Price	Part Number	List Price
3/4"	Flanged	1201007	356.00	1205007	433.00	1206007	427.00
1"	Flanged	1201010	411.00	1205010	496.00	1206010	492.00
1-1/2"	Flanged	1201015	512.00	1205015	604.00	1206015	594.00
2"	Flanged	1201020	632.00	1205020	770.00	1206020	740.00
2-1/2"	Flanged	1201025	885.00	1205025	1045.00	1206025	1014.00
3"	Flanged	1201030	944.00	1205030	1104.00	1206030	1079.00
4"	Flanged	1201040	1357.00	1205040	1590.00	1206040	1545.00
5"	Flanged	1201050	2398.00	1205050	2781.00	1206050	2667.00
6"	Flanged	1201060	1427.00	1205060	1810.00	1206060	1788.00
8"	Flanged	1201080	2038.00	1205080	2527.00	1206080	2469.00
Discount Code		C		C		C	

1. HI-PVC is a High Impact Grade of PVC used for strength and durability



PP

Polypropylene Swing Check Valves - Flanged							
Size	PP Swing Check Valves	EPDM Seals		FKM Seals		PTFE Seals	
		Part Number	List Price	Part Number	List Price	Part Number	List Price
3/4"	Flanged	1202007	433.00	1207007	509.00	1209007	504.00
1"	Flanged	1202010	489.00	1207010	574.00	1209010	571.00
1-1/2"	Flanged	1202015	617.00	1207015	709.00	1209015	699.00
2"	Flanged	1202020	763.00	1207020	901.00	1209020	872.00
2-1/2"	Flanged	1202025	1068.00	1207025	1227.00	1209025	1197.00
3"	Flanged	1202030	1205.00	1207030	1365.00	1209030	1341.00
4"	Flanged	1202040	1725.00	1207040	1958.00	1209040	1913.00
5"	Flanged	1202050	2852.00	1207050	3235.00	1209050	3121.00
6"	Flanged	1202060	3054.00	1207060	3438.00	1209060	3416.00
8"	Flanged	1202080	5860.00	1207080	6349.00	1209080	6291.00
Discount Code		C		C		C	



PVDF

PVDF Swing Check Valves - Flanged							
Size	PVDF Swing Check Valves	PTFE Seals		FKM Seals		EPDM Seals	
		Part Number	List Price	Part Number	List Price	Part Number	List Price
3/4"	Flanged	1203007	802.00	131205007	879.00	131201007	839.00
1"	Flanged	1203010	1272.00	131205010	1357.00	131201010	1313.00
1-1/2"	Flanged	1203015	1833.00	131205015	1925.00	131201015	1878.00
2"	Flanged	1203020	2483.00	131205020	2621.00	131201020	2535.00
2-1/2"	Flanged	1203025	3293.00	131205025	3452.00	131201025	3354.00
3"	Flanged	1203030	3589.00	131205030	3749.00	131201030	3659.00
4"	Flanged	1203040	5552.00	131205040	5786.00	131201040	5643.00
5"	Flanged	1203050	7752.00	131205050	8135.00	131201050	7868.00
6"	Flanged	1203060	10404.00	131205060	10788.00	131201060	10598.00
8"	Flanged	1203080	15544.00	131205080	16034.00	131201080	16034.00
Discount Code		C		C		C	

EL-PVDF Swing Check Valves - Flanged			
Size	EL-PVDF Swing Check Valves	EL-PTFE Seals	
		Part Number	List Price
2"	Flanged	131203020	3229.00
3"	Flanged	131203030	4667.00
4"	Flanged	131203040	7219.00
Discount Code		C	

Swing Check Valves

Size	Options for Swing Check	Part Number	List Price	Option Code
3/4"	Lever & Weight	3161007	376.00	LW
1"	Lever & Weight	3161010	376.00	
1-1/2"	Lever & Weight	3161015	376.00	
2"	Lever & Weight	3161020	480.00	
2-1/2"	Lever & Weight	3161025	480.00	
3"	Lever & Weight	3161030	480.00	
4"	Lever & Weight	3161040	521.00	
5"	Lever & Weight	3161050	582.00	
6"	Lever & Weight	3161060	582.00	
8"	Lever & Weight	3161080	755.00	
3/4"	External SS Spring	3163007	376.00	EX
1"	External SS Spring	3163010	376.00	
1-1/2"	External SS Spring	3163015	376.00	
2"	External SS Spring	3163020	480.00	
2-1/2"	External SS Spring	3163025	480.00	
3"	External SS Spring	3163030	480.00	
4"	External SS Spring	3163040	521.00	
5"	External SS Spring	3163050	582.00	
6"	External SS Spring	3163060	582.00	
8"	External SS Spring	3163080	755.00	
Discount Code			C	

Swing Check Valves

Size	Hardware Option	Part Number	List Price	Option Code
1"	Titanium	3083010	C.F.	TM
1-1/2"	Titanium	3083015	C.F.	
2"	Titanium	3083020	C.F.	
2-1/2"	Titanium	3083025	C.F.	
3"	Titanium	3083030	C.F.	
4"	Titanium	3083040	C.F.	
5"	Titanium	3083050	C.F.	
6"	Titanium	3083060	C.F.	
8"	Titanium	3083080	C.F.	
1"	316 SS	3085010	73.00	SS1
1-1/2"	316 SS	3085015	76.00	
2"	316 SS	3085020	105.00	
2-1/2"	316 SS	3085025	105.00	
3"	316 SS	3085030	105.00	
4"	316 SS	3085040	216.00	
5"	316 SS	3085050	356.00	
6"	316 SS	3085060	356.00	
8"	316 SS	3085080	563.00	
1"	Hastelloy C-276	3084010	C.F.	C
1-1/2"	Hastelloy C-276	3084015	C.F.	
2"	Hastelloy C-276	3084020	C.F.	
2-1/2"	Hastelloy C-276	3084025	C.F.	
3"	Hastelloy C-276	3084030	C.F.	
4"	Hastelloy C-276	3084040	C.F.	
5"	Hastelloy C-276	3084050	C.F.	
6"	Hastelloy C-276	3084060	C.F.	
8"	Hastelloy C-276	3084080	C.F.	
Discount Code			C	

Square Valve Tag	Part Number	List Price	Option Code
Stainless	3109000	16.00	T1
Plastic	6512147	16.00	T2
Paper	PAPERTAG	2.85	T3
Discount Code		C	

Clean & Bag	Part Number	List Price	Option Code
3/4" - 3"	9023002	21.00	CB
4" - 6"	9023003	32.00	
8"	9023004	37.00	
Discount Code		C	

Swing Check Valves



Wafer Check Valves

Wafer Check Valves - ANSI					
Size	Description	Part Number	EPDM	Part Number	FKM
			List Price		List Price
3"	PVC Wafer Check Valve	111201030	998.00	111205030	1037.00
3"	PVC Wafer Check Valve w/ Spring	111206030	1362.00	111207030	1401.00
4"	PVC Wafer Check Valve	111201040	1093.00	111205040	1170.00
4"	PVC Wafer Check Valve w/ Spring	111206040	1588.00	111207040	1665.00
6"	PVC Wafer Check Valve	111201060	1425.00	111205060	1578.00
6"	PVC Wafer Check Valve w/ Spring	111206060	1965.00	111207060	2118.00
8"	PVC Wafer Check Valve	111201080	2086.00	111205080	2251.00
8"	PVC Wafer Check Valve w/ Spring	111206080	2671.00	111207080	2836.00
10"	PVC Wafer Check Valve	111201100	2704.00	111205100	3004.00
10"	PVC Wafer Check Valve w/ Spring	111206100	3304.00	111207100	3604.00
12"	PVC Wafer Check Valve	111201120	3284.00	111205120	3888.00
12"	PVC Wafer Check Valve w/ Spring	111206120	4024.00	111207120	4628.00
Discount Code			A	A	

Wafer Check Valves - DIN					
Size	Description	Part Number	EPDM	Part Number	FKM
			List Price		List Price
3"	PVC Wafer Check Valve DIN	111201031	998.00	111205031	1037.00
3"	PVC Wafer Check Valve w/ Spring DIN	111206031	1362.00	111207031	1401.00
4"	PVC Wafer Check Valve DIN	111201041	1093.00	111205041	1170.00
4"	PVC Wafer Check Valve w/ Spring DIN	111206041	1588.00	111207041	1665.00
6"	PVC Wafer Check Valve DIN	111201061	1425.00	111205061	1578.00
6"	PVC Wafer Check Valve w/ Spring DIN	111206061	1965.00	111207061	2118.00
8"	PVC Wafer Check Valve DIN	111201081	2086.00	111205081	2251.00
8"	PVC Wafer Check Valve w/ Spring DIN	111206081	2671.00	111207081	2836.00
10"	PVC Wafer Check Valve DIN	111201101	2704.00	111205101	3004.00
10"	PVC Wafer Check Valve w/ Spring DIN	111206101	3304.00	111207101	3604.00
12"	PVC Wafer Check Valve DIN	111201121	3284.00	111205121	3888.00
12"	PVC Wafer Check Valve w/ Spring DIN	111206121	4024.00	111207121	4628.00
Discount Code			A	A	

Wafer Check Valves - JIS					
Size	Description	Part Number	EPDM	Part Number	FKM
			List Price		List Price
3"	PVC Wafer Check Valve JIS	111201032	998.00	111205032	1037.00
3"	PVC Wafer Check Valve w/ Spring JIS	111206032	1362.00	111207032	1401.00
4"	PVC Wafer Check Valve JIS	111201042	1093.00	111205042	1170.00
4"	PVC Wafer Check Valve w/ Spring JIS	111206042	1588.00	111207042	1665.00
6"	PVC Wafer Check Valve JIS	111201062	1425.00	111205062	1578.00
6"	PVC Wafer Check Valve w/ Spring JIS	111206062	1965.00	111207062	2118.00
8"	PVC Wafer Check Valve JIS	111201082	2086.00	111205082	2251.00
8"	PVC Wafer Check Valve w/ Spring JIS	111206082	2671.00	111207082	2836.00
10"	PVC Wafer Check Valve JIS	111201102	2704.00	111205102	3004.00
10"	PVC Wafer Check Valve w/ Spring JIS	111206102	3304.00	111207102	3604.00
12"	PVC Wafer Check Valve JIS	111201122	3284.00	111205122	3888.00
12"	PVC Wafer Check Valve w/ Spring JIS	111206122	4024.00	111207122	4628.00
Discount Code			A	A	

Wafer Check Valves



HI-PVC



Certified to NSF/ANSI 61

HI-PVC Gate Valves - Flanged						
Size	HI-PVC Body & Bonnet		EPDM O-Rings		FKM O-Rings	
	PP Plug		Part Number	List Price	Part Number	List Price
1-1/2"	Flanged		1251015	376.00	1242015	457.00
2"	Flanged		1251020	388.00	1242020	477.00
3"	Flanged		1251030	572.00	1242030	696.00
4"	Flanged		1251040	798.00	1242040	981.00
5"	Flanged		1251050	1239.00	1242050	1493.00
6"	Flanged		1251060	1577.00	1242060	1955.00
8"	Flanged		1251080	2385.00	1242080	2796.00
10"	Flanged		1251100	3434.00	1242100	3910.00
12"	Flanged		1251120	3982.00	1242120	4503.00
14"	Flanged		1251140	4346.00	1242140	4960.00
Discount Code				C	C	

1. All HI-PVC gate valves are - NSF-61 approved.
2. HI-PVC is a high impact grade of PVC used for strength and durability.
3. All HI-PVC gate valves feature a polypropylene cylindrical plug.

Size	Locking Device	Part Number	List Price	Option Code
1-1/2"	Plastic	3088015	244.00	G1
2"	Plastic	3088020	244.00	
3"	Plastic	3088030	244.00	
4"	Plastic	3088040	327.00	
6"	Plastic	3088060	327.00	
8"	Plastic	3088080	327.00	
1-1/2"	Metal	3087015	244.00	G2
2"	Metal	3087020	244.00	
3"	Metal	3087030	244.00	
4"	Metal	3087040	327.00	
6"	Metal	3087060	327.00	
8"	Metal	3087080	327.00	
10"	Metal	3087100	471.00	
12"	Metal	3087120	531.00	
14"	Metal	3087140	658.00	
Discount Code			C	

Valve Sizes	Valve Type	Chain Operators, Chain, Masterlink	Part number	List Price	Option Code
1-1/2" - 2"	Gate	Babbitt Chainwheel Operator	3061010	206.00	G3
1-1/2" - 2"	Gate	Chain (per Foot)	3062020	6.00	Enter Length
1-1/2" - 2"	Gate	Masterlink for Chain	3162020	17.00	1 per length
2-1/2" - 3"	Gate	Babbitt Chainwheel Operator	3061015	206.00	G3
2-1/2" - 3"	Gate	Chain (per Foot)	3062020	6.00	Enter Length
2-1/2" - 3"	Gate	Masterlink for Chain	3162020	17.00	1 per length
4"	Gate	Babbitt Chainwheel Operator	3061020	206.00	G3
4"	Gate	Chain (per Foot)	3062020	6.00	Enter Length
4"	Gate	Masterlink for Chain	3162020	17.00	1 per length
5" - 8"	Gate	Babbitt Chainwheel Operator	3061025	206.00	G3
5" - 8"	Gate	Chain (per Foot)	3062025	6.00	Enter Length
5" - 8"	Gate	Masterlink for Chain	3162040	17.00	1 per length
10" - 12"	Gate	Babbitt Chainwheel Operator	3061030	206.00	G3
10" - 12"	Gate	Chain (per Foot)	3062030	6.00	Enter Length
10" - 12"	Gate	Masterlink for Chain	3162040	17.00	1 per length
14"	Gate	Babbitt Chainwheel Operator	3061035	411.00	G3
14"	Gate	Chain (per Foot)	3062035	6.00	Enter Length
14"	Gate	Masterlink for Chain	3162040	17.00	1 per length
Discount Code			C		

Gate Valves

Valve Price Sheet #49A

Gate Valve Options - Square Nut

**Actuation
Stem Extensions**

Size	2" Square Operating Nut	Part Number	List Price	Option Code
1-1/2"	Square Nut	3055015	126.00	N1
2"	Square Nut	3055020	126.00	
3"	Square Nut	3055030	126.00	
4"	Square Nut	3055040	126.00	
6"	Square Nut	3055060	126.00	
8"	Square Nut	3055080	153.00	
10"	Square Nut	3055100	206.00	
12"	Square Nut	3055120	206.00	
14"	Square Nut	3055140	206.00	
Discount Code			C	

Size	Electric Actuator w/Mtg for Gate Valve	Part Number	List Price	Option Code
1-1/2"	Series 92 Multi-Turn	2012015	2008.00	92
2"	Series 92 Multi-Turn	2012020	2008.00	
3"	Series 92 Multi-Turn	2012030	2078.00	
Discount Code			C	

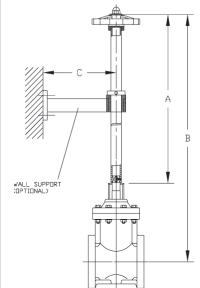
1. Includes: Series 92 120 VAC multi-turn electric actuator with 2 end of travel and 2 extra limit switches, manual override, beacon indicator. Factory mounted and tested. Consult factory for cycle times.
2. Actuator & mounting only, please add valve to above price.
3. Not sold without factory installed valve.

Options for Open/Close Electric Actuators	Part Number	List Price	Option Code
Heater & Thermostat	2127001	130.00	HT
Feedback Potentiometer	2129001	203.00	P
4-20 Ma Output Feedback Source	2129005	717.00	C3
2-Wire Control Relay	2102001	149.00	2W
Local/Remote Station	2190000	834.00	LR
Discount Code		C	

Options for Modulating Service Electric Actuators	Part Number	List Price	Option Code
Heater and Thermostat	2127001	130.00	HT
4-20 Ma Output Positioner	2130811	1057.00	C1
4-20 Ma Output W/ 2-extra Limit Switch	2130813	348.00	C3
Modbus Interface Card*	2130821	623.00	MB
Local/Remote Station	2190001	1276.00	LR
Discount Code		C	

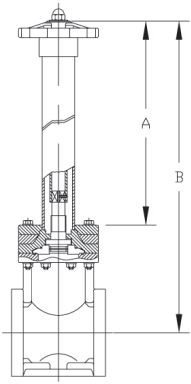
*Requires DHC-Series digital positioners.

Stem Extensions				
Size	One Piece Stem Extension - Style GT-B	Part Number	List Price	Option Code
	1st Ft	1st Ft		
1-1/2" - 4"	Carbon Steel	3092440	441.00	E1
6" -14"	Carbon Steel	3092140	495.00	
1-1/2" - 4"	304 SS	3093440	508.00	E2
6" -14"	304 SS	3093140	573.00	
1-1/2" - 4"	316 SS	3094040	555.00	E3
6" -14"	316 SS	3094140	627.00	
	Add'l Ft	Add'l Ft		
1-1/2" - 4"	Carbon Steel	3092041	70.00	E1
6" -14"	Carbon Steel	3092141	79.00	
1-1/2" - 4"	304 SS	3093041	82.00	E2
6" -14"	304 SS	3093141	91.00	
1-1/2" - 4"	316 SS	3094041	110.00	E3
6" -14"	316 SS	3094141	123.00	
Dimension A or B (Circle)		_____ FT	_____ IN	
Discount Code			C	



**GT-B
One Piece
Stem
Extension**

Gate Valves



GT-A Two Piece Stem Extension

Two Piece Stem Extensions				
Size	Two Piece Stem Extension - Style GT-A	Part Number	List Price	Option Code
		1st Ft		
1-1/2" - 4"	Carbon Steel x PVC	3095040	746.00	E5
6" -14"	Carbon Steel x PVC	3095140	839.00	
1-1/2" - 4"	304 Stainless Steel x PVC	3096040	754.00	E6
6" -14"	304 Stainless Steel x PVC	3096140	846.00	
1-1/2" - 4"	316 Stainless Steel x PVC	3097040	803.00	E7
6" -14"	316 Stainless Steel x PVC	3097140	901.00	
		Add'l Ft		
1-1/2" - 4"	Carbon Steel x PVC	3095041	96.00	E5
6" -14"	Carbon Steel x PVC	3095141	108.00	
1-1/2" - 4"	304 Stainless Steel x PVC	3096041	110.00	E6
6" -14"	304 Stainless Steel x PVC	3096141	123.00	
1-1/2" - 4"	316 Stainless Steel x PVC	3097041	152.00	E7
6" -14"	316 Stainless Steel x PVC	3097141	168.00	
Dimension A or B (Circle) _____ FT _____ IN				
Discount Code			C	

Size	Two Piece Landfill Stem Extension - Style GT-A	Part Number	List Price	Option Code
		1st Ft		
1-1/2" - 4"	Carbon Steel x Carbon Steel	3098040	769.00	E8
6" -14"	Carbon Steel x Carbon Steel	3098140	866.00	
1-1/2" - 14"	316 Stainless Steel x Carbon Steel	3098240	1102.00	E10
		Add'l Ft		
1-1/2" - 4"	Carbon Steel x Carbon Steel	3098041	128.00	E8
6" -14"	Carbon Steel x Carbon Steel	3098141	143.00	
1-1/2" - 4"	316 Stainless Steel x Carbon Steel	3098241	167.00	E10
6" -14"	316 Stainless Steel x Carbon Steel	3098242	309.00	
Dimension A or B (Circle) _____ FT _____ IN				
Discount Code			C	

Wall Support	Part Number	List Price	Option Code
Wall Support	3021000	220.00	WS
Discount Code			C

Gate Valves

Clear PVC Sediment Strainer - True-Union			
Size	PVC Sediment Strainer	EPDM O-Rings	
		Part Number	List Price
1/2"	Socket/Threaded Combo	1257005	72.00
3/4"	Socket/Threaded Combo	1257007	77.00
1"	Socket/Threaded Combo	1257010	91.00
1-1/4"	Socket/Threaded Combo	1257012	153.00
1-1/2"	Socket/Threaded Combo	1257015	153.00
2"	Socket/Threaded Combo	1257020	189.00
3"	Socket	1256030	458.00
3"	Threaded	1257030	458.00
4"	Socket	1256040	765.00
4"	Threaded	1257040	765.00
Discount Code			A



1/2" - 2"
Soc/Thd Combo



3" - 4"
Socket or Threaded



1/2" - 4"
Flanged



Certified to
NSF/ANSI 61

Clear PVC Sediment Strainer - Flanged			
Size	PVC Sediment Strainer	EPDM O-Rings	
		Part Number	List Price
1/2"	Flanged	1258005	156.00
3/4"	Flanged	1258007	169.00
1"	Flanged	1258010	221.00
1-1/4"	Flanged	1258012	359.00
1-1/2"	Flanged	1258015	359.00
2"	Flanged	1258020	447.00
3"	Flanged	1258030	818.00
4"	Flanged	1258040	1276.00
Discount Code			A

- All PVC sediment strainers are - NSF-61 approved.
- 1-1/4" strainer is bushed down from 1-1/2".
- FKM O-ring set must be added to price of EPDM complete valve for FKM sediment strainer.

FKM O-Ring Set Only		
Size	Part Number	List Price
1/2"	3383005	29.00
3/4"	3383007	39.00
1"	3383010	47.00
1-1/4"	3383012	83.00
1-1/2"	3383015	83.00
2"	3383020	143.00
3"	3383030	220.00
4"	3383040	298.00
Discount		C

PVC Screens Only					
Size	PVC Screens Only	20 Mesh	30 Mesh	40 Mesh	List Price
		Part Number	Part Number	Part Number	
1/2"	PVC	3186005	3187005	3188005	20.00
3/4"	PVC	3186007	3187007	3188007	20.00
1"	PVC	3186010	3187010	3188010	22.00
1-1/2"	PVC	3186015	3187015	3188015	26.00
2"	PVC	3186020	3187020	3188020	32.00
3"	PVC	3186030	3187030	3188030	37.00
4"	PVC	3186040	3187040	3188040	48.00
Discount Code					C

316 SS Screens Only					
Size	316 SS Screens Only	20 Mesh	40 Mesh	60 Mesh	List Price
		Part Number	Part Number	Part Number	
1/2"	316 SS	3182005	3183005	3180005	26.00
3/4"	316 SS	3182007	3183007	3180007	26.00
1"	316 SS	3182010	3183010	3180010	34.00
1-1/2"	316 SS	3182015	3183015	3180015	39.00
2"	316 SS	3182020	3183020	3180020	48.00
3"	316 SS	3182030	3183030	3180030	55.00
4"	316 SS	3182040	3183040	3180040	67.00
Discount Code					C

- 1-1/4" strainer uses 1-1/2" screen.

Sediment Strainers



Socket

PVC Globe Valves - Socket					
Size	PVC Globe Valves	EPDM O-Rings		FKM O-Rings	
		Part Number	List Price	Part Number	List Price
1/2"	Socket	1260005	50.00	1280005	108.00
3/4"	Socket	1260007	53.00	1280007	114.00
1"	Socket	1260010	89.00	1280010	158.00
1-1/4"	Socket	1260012	125.00	1280012	212.00
1-1/2"	Socket	1260015	254.00	1280015	389.00
2"	Socket	1260020	387.00	1280020	525.00
Discount Code			A	A	



Threaded

PVC Globe Valves - Threaded					
Size	PVC Globe Valves	EPDM O-Rings		FKM O-Rings	
		Part Number	List Price	Part Number	List Price
1/2"	Threaded	1261005	50.00	1281005	108.00
3/4"	Threaded	1261007	53.00	1281007	114.00
1"	Threaded	1261010	89.00	1281010	158.00
1-1/4"	Threaded	1261012	125.00	1281012	212.00
1-1/2"	Threaded	1261015	254.00	1281015	389.00
2"	Threaded	1261020	387.00	1281020	525.00
Discount Code			A	A	



Flanged

PVC Globe Valves - Flanged					
Size	PVC Globe Valves	EPDM O-Rings		FKM O-Rings	
		Part Number	List Price	Part Number	List Price
1/2"	Flanged	1262005	72.00	1282005	131.00
3/4"	Flanged	1262007	84.00	1282007	145.00
1"	Flanged	1262010	131.00	1282010	202.00
1-1/4"	Flanged	1262012	181.00	1282012	271.00
1-1/2"	Flanged	1262015	310.00	1282015	455.00
2"	Flanged	1262020	441.00	1282020	595.00
2-1/2"	Flanged	1262025	687.00	1282025	1075.00
3"	Flanged	1262030	803.00	1282030	1224.00
4"	Flanged	1262040	1042.00	1282040	1583.00
Discount Code			A	A	

Globe Valves

Polypropylene Globe Valves					
Size	PP Globe Valves	DIN Socket	IPS Socket	Threaded	List Price
		Part Number	Part Number	Part Number	
1/2"	EPDM O-Rings	1264005	1267005	1265005	72.00
3/4"	EPDM O-Rings	1264007	1267007	1265007	80.00
1"	EPDM O-Rings	1264010	1267010	1265010	134.00
Discount Code					A

Polypropylene Globe Valves					
Size	PP Globe Valves	DIN Socket	IPS Socket	Threaded	List Price
		Part Number	Part Number	Part Number	
1/2"	FKM O-Rings	1287005	1286005	1288005	129.00
3/4"	FKM O-Rings	1287007	1286007	1288007	134.00
1"	FKM O-Rings	1287010	1286010	1288010	201.00
Discount Code					A

Polypropylene Globe Valves - Flanged					
Size	PP Globe Valves	EPDM O-Rings		FKM O-Rings	
		Part Number	List Price	Part Number	List Price
1/2"	Flanged	1266005	103.00	1289005	159.00
3/4"	Flanged	1266007	114.00	1289007	172.00
1"	Flanged	1266010	184.00	1289010	251.00
1-1/2"	Flanged	1266015	480.00	1289015	610.00
2"	Flanged	1266020	645.00	1289020	788.00
2-1/2"	Flanged	1266025	993.00	1289025	1366.00
3"	Flanged	1266030	1126.00	1289030	1531.00
4"	Flanged	1266040	1531.00	1289040	2046.00
Discount Code			A	A	



Socket



Threaded



Flanged

Globe Valves



**PVC
Flanged**

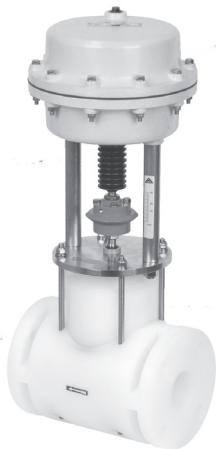
PVC Constant Flow Valves - Flanged				
Size	PVC Constant Flow Valves	Flow Rate	EPDM O-Rings	List Price
		GPM's	Part Number	
1/2"	Flanged	0.176 - 3.52	1307005B	692.00
1/2"	Flanged	0.35 - 3.52	1307005C	692.00
3/4"	Flanged	0.26 - 5.28	1307007B	783.00
3/4"	Flanged	0.53 - 5.28	1307007C	783.00
1"	Flanged	2.20 - 8.81	1307010A	924.00
1"	Flanged	0.441 - 8.81	1307010B	924.00
1"	Flanged	0.881 - 8.81	1307010C	924.00
2"	Flanged	8.81 - 35.22	1307020A	1638.00
2"	Flanged	1.76 - 35.22	1307020B	1638.00
2"	Flanged	3.52 - 35.22	1307020C	1638.00
3"	Flanged	22.02 - 88.07	1307030A	2790.00
3"	Flanged	4.403 - 88.07	1307030B	2790.00
3"	Flanged	8.81 - 88.07	1307030C	2790.00
3"	Flanged	66.04 - 132.10	1307030D	2790.00
4"	Flanged	44.03 - 264.20	1307040C	4276.00
4"	Flanged	132.10 - 264.20	1307040D	4276.00
Discount Code				C

1. All constant flow valves are application specific and require completion of data sheet upon ordering.

This page intentionally left blank.



Electric PVC



Pneumatic PP

Globe Control Valves

PVC Globe Control Valves - Flanged					
Size	PVC Globe Control Valves	Electric		Pneumatic (A-S)	
		Part Number	List Price	Part Number	List Price
1/2"	Flanged	2201005	8011.00	2501005	4535.00
3/4"	Flanged	2201007	8264.00	2501007	4782.00
1"	Flanged	2201010	9944.00	2501010	5070.00
1-1/4"	Flanged	2201012	10029.00	2501012	5240.00
1-1/2"	Flanged	2201015	10103.00	2501015	5544.00
2"	Flanged	2201020	11981.00	2501020	6214.00
2-1/2"	Flanged	2201025	12849.00	2501025	8442.00
3"	Flanged	2201030	13401.00	2501030	9951.00
4"	Flanged	2201040	14403.00	2501040	11432.00
Discount Code			C	C	

Electric globe control includes 4-20 positioner.

Polypropylene Globe Control Valves - Flanged					
Size	PP Globe Control Valves	Electric		Pneumatic (A-S)	
		Part Number	List Price	Part Number	List Price
1/2"	Flanged	2202005	7886.00	2502005	4833.00
3/4"	Flanged	2202007	8164.00	2502007	5083.00
1"	Flanged	2202010	9816.00	2502010	5323.00
1-1/4"	Flanged	N/A		N/A	
1-1/2"	Flanged	2202015	11124.00	2502015	5830.00
2"	Flanged	2202020	11291.00	2502020	6541.00
2-1/2"	Flanged	2202025	13885.00	2502025	9766.00
3"	Flanged	2202030	14593.00	2502030	11256.00
4"	Flanged	2202040	15705.00	2502040	11897.00
Discount Code			C	C	

Electric globe control includes 4-20 positioner.

PTFE Globe Control Valves - Flanged					
Size	PTFE Globe Control Valves	Electric		Pneumatic (A-S)	
		Part Number	List Price	Part Number	List Price
1/2"	Flanged	2203005	12798.00	2503005	10732.00
3/4"	Flanged	2203007	13344.00	2503007	11142.00
1"	Flanged	2203010	13846.00	2503010	12164.00
1-1/4"	Flanged	2203012	14743.00	2503012	14520.00
1-1/2"	Flanged	2203015	19326.00	2503015	18095.00
2"	Flanged	2203020	24402.00	2503020	23406.00
2-1/2"	Flanged	2203025	30443.00	2503025	27450.00
3"	Flanged	2203030	34153.00	2503030	32791.00
4"	Flanged	2203040	45941.00	2503040	42959.00
Discount Code			C	C	

Electric globe control includes 4-20 positioner

PVDF Globe Control Valves - Flanged					
Size	PVDF Globe Control Valves	Electric		Pneumatic (A-S)	
		Part Number	List Price	Part Number	List Price
1/2"	Flanged	2204005	9468.00	2504005	7271.00
3/4"	Flanged	2204007	9807.00	2504007	7831.00
1"	Flanged	2204010	11874.00	2504010	8018.00
1-1/4"	Flanged	2204012	12866.00	2504012	10183.00
1-1/2"	Flanged	2204015	14519.00	2504015	12589.00
2"	Flanged	2204020	18568.00	2504020	16373.00
2-1/2"	Flanged	2204025	22062.00	2504025	20413.00
3"	Flanged	2204030	25369.00	2504030	25252.00
4"	Flanged	2204040	34014.00	2504040	31545.00
Discount Code			C	C	

1. All globe control valves are application specific and require completion of data sheet upon ordering.

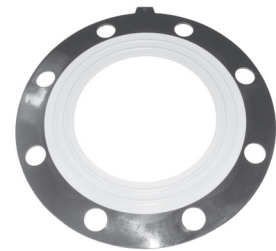
Positioners	Part Number	List Price
3-15 psi for Pneumatic (A-S) Actuators	2419315	1725.00
Switches	2414320	215.00
4-20 Ma for Pneumatic (A-S) Actuators	2420420	2623.00
4-20 Ma for Pneumatic HART	2420425	3975.00
Discount		C

EPDM AV Gaskets			
Size	AV Gaskets	Part Number	List Price
1/2"	EPDM	3113005	7.00
3/4"	EPDM	3113007	7.00
1"	EPDM	3113010	7.00
1-1/4"	EPDM	3113012	7.00
1-1/2"	EPDM	3113015	7.00
2"	EPDM	3113020	8.00
2-1/2"	EPDM	3113025	8.00
3"	EPDM	3113030	8.00
4"	EPDM	3113040	11.00
6"	EPDM	3113060	14.00
8"	EPDM	3113080	17.00
10"	EPDM	3113100	22.00
12"	EPDM	3113120	22.00
Discount Code			A



EPDM
Durometer 65-70

PTFE AV Gaskets			
Size	AV Gaskets	Part Number	List Price
1/2"	PTFE	3114005	16.00
3/4"	PTFE	3114007	17.00
1"	PTFE	3114010	19.00
1-1/4"	PTFE	3114012	23.00
1-1/2"	PTFE	3114015	23.00
2"	PTFE	3114020	26.00
2-1/2"	PTFE	3114025	30.00
3"	PTFE	3114030	38.00
4"	PTFE	3114040	42.00
6"	PTFE	3114060	63.00
8"	PTFE	3114080	77.00
10"	PTFE	3114100	90.00
12"	PTFE	3114120	111.00
Discount Code			A



PTFE
Durometer 95-100

PVDF AV Gaskets			
Size	AV Gaskets	Part Number	List Price
1/2"	PVDF	3115005	22.00
3/4"	PVDF	3115007	23.00
1"	PVDF	3115010	23.00
1-1/2"	PVDF	3115015	28.00
2"	PVDF	3115020	32.00
3"	PVDF	3115030	47.00
4"	PVDF	3115040	57.00
6"	PVDF	3115060	79.00
8"	PVDF	3115080	129.00
10"	PVDF	3115100	143.00
Discount Code			A



PVDF
Durometer 83-85



V82

PVDF V82 Pressure Regulator w/ Gauge Guard			
Size	PVDF V182/82	PTFE Diaphragm/FKM O-Ring	
		Butt	List Price
		Part Number	
1/2"	V82	590241005	914.00
3/4"	V82	590241007	1270.00
1"	V82	590241010	1452.00
1-1/4"	V82	590241012	1574.00
1-1/2"	V82	590241015	1698.00
2"	V82	590241020	5732.00
2-1/2"	V82	590241025	6312.00
Discount Code			C



V186/86

PVDF V186/86 Back Pressure Regulator			
Size	PVDF V186/86	PTFE Diaphragm/FKM O-Ring	
		Butt	List Price
		Part Number	
1/2"	V186	590244005	937.00
3/4"	V186	590244007	999.00
1"	V186	590244010	1117.00
1-1/4"	V186	590244012	2224.00
1-1/2"	V186	590244015	2413.00
2"	V186	590244020	2885.00
2-1/2"	V86	590244025	7301.00
Discount Code			C

Frank Regulators

Polypropylene V82 Pressure Regulator w/ Gauge Guard					
Size	PP V182/82	EPDM Diaphragm/EPDM O-Ring		PTFE Diaphragm/FKM O-Ring	
		Butt	List Price	Butt	List Price
		Part Number		Part Number	
1/2"	V82	500241005	610.00	500241105	666.00
3/4"	V82	500241007	778.00	500241107	812.00
1"	V82	500241010	778.00	500241110	812.00
1-1/4"	V82	500241012	936.00	500241112	979.00
1-1/2"	V82	500241015	936.00	500241115	979.00
2"	V82	500241020	1324.00	500241120	1365.00
2-1/2"	V82	500241025	1787.00	500241125	1900.00
3"	V82	500241030	4406.00	500241130	4508.00
4"	V82	500241040	6036.00	500241140	6165.00
Discount Code			C	C	



Polypropylene V782 High Performance Pressure Regulator					
Size	PP V782	EPDM Diaphragm/EPDM O-Ring		PTFE Diaphragm/FKM O-Ring	
		Butt	List Price	Butt	List Price
		Part Number		Part Number	
1/2"	V782	500243005	620.00	500243105	645.00
3/4"	V782	500243007	808.00	500243107	845.00
1"	V782	500243010	808.00	500243110	845.00
1-1/4"	V782	500243012	961.00	500243112	977.00
1-1/2"	V782	500243015	961.00	500243115	977.00
Discount Code			C	C	



Frank Regulators



V186/86

Polypropylene V186/86 Back Pressure Regulator					
Size	PP V186/86	EPDM Diaphragm/EPDM O-Ring		PTFE Diaphragm/FKM O-Ring	
		Butt	List Price	Butt	List Price
		Part Number		Part Number	
1/2"	V186	500244005	236.00	500244105	256.00
3/4"	V186	500244007	317.00	500244107	340.00
1"	V186	500244010	341.00	500244110	367.00
1-1/4"	V186	500244012	434.00	500244112	455.00
1-1/2"	V186	500244015	450.00	500244115	505.00
2"	V186	500244020	874.00	500244120	894.00
2-1/2"	V86	500244025	1269.00	500244125	1336.00
3"	V86	500244030	2013.00	500244130	2115.00
4"	V86	500244040	3070.00	500244140	3203.00
Discount Code			C	C	

Frank Regulators



V82

PVC V182/82 Pressure Regulator w/ Gauge Guard							
Size	PVC V182/82	EPDM Diaphragm/EPDM O-Ring			PTFE Diaphragm/FKM O-Ring		
		IPS Socket	FNPT	List Price	IPS Socket	FNPT	List Price
		Part Number	Part Number		Part Number	Part Number	
1/2"	V182	160241005	160241105	555.00	160241205	160241305	575.00
3/4"	V182	160241007	160241107	706.00	160241207	160241307	736.00
1"	V182	160241010	160241110	706.00	160241210	160241310	736.00
1-1/4"	V182	160241012	160241112	849.00	160241212	160241312	887.00
1-1/2"	V182	160241015	160241115	849.00	160241215	160241315	887.00
2"	V182	160241020	160241120	1203.00	160241220	160241320	1240.00
2-1/2"	V82	160241025	160241125	1625.00	160241225	160241325	1724.00
3"	V82	160241030	160241130	3998.00	160241230	160241330	4091.00
4"	V82	160241040	160241140	5534.00	160241240	160241340	5652.00
Discount Code				C	C		

PVC V186/86 Back Pressure Regulator							
Size	PVC V186/86	EPDM Diaphragm/EPDM O-Ring			PTFE Diaphragm/FKM O-Ring		
		IPS Socket	FNPT	List Price	IPS Socket	FNPT	List Price
		Part Number	Part Number		Part Number	Part Number	
1/2"	V186	160244005	160244105	217.00	160244205	160244305	239.00
3/4"	V186	160244007	160244107	287.00	160244207	160244307	314.00
1"	V186	160244010	160244110	307.00	160244210	160244310	341.00
1-1/4"	V186	160244012	160244112	392.00	160244212	160244312	422.00
1-1/2"	V186	160244015	160244115	408.00	160244215	160244315	449.00
2"	V186	160244020	160244120	795.00	160244220	160244320	812.00
2-1/2"	V86	160244025	160244125	1151.00	160244225	160244325	1210.00
3"	V86	160244030	160244130	1826.00	160244230	160244330	1920.00
4"	V86	160244040	160244140	2812.00	160244240	160244340	2934.00
Discount Code				C	C		

Frank Regulators



V82

Halar V82 Pressure Regulator w/ Gauge Guard			
Size	Halar 82	PTFE Diaphragm/PTFE O-Ring	
		Butt	List Price
		Part Number	
1/2"	V82	550241005	1698.00
3/4"	V82	550241007	2061.00
1"	V82	550241010	2061.00
Discount Code			C



V86

Halar V86 Pressure Regulator			
Size	Halar 82	PTFE Diaphragm/PTFE O-Ring	
		Butt	List Price
		Part Number	
1/2"	V86	550244005	1395.00
3/4"	V86	550244007	1759.00
1"	V86	550244010	1759.00
Discount Code			C

EM-TECHNIK

PFA
PVDF
PP

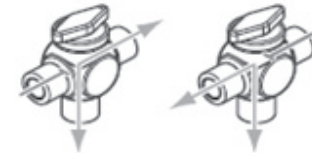
EM-Technik Wet Process Valves			
Size	Series 6 Ball Valve	2-Way Ball Valve, FKM O-Ring	
		FNPT	List Price
		Part Number	
1/4"	PP	841101520	57.00
1/4"	PVDF	841101500	93.00
1/4"	PFA	841101540	325.00
1/2"	PP	841101530	124.00
1/2"	PVDF	841101510	307.00
1/2"	PFA	841101550	729.00
Discount Code			C



2-Way Ball Valve



3-Way Ball Valve L-Bore

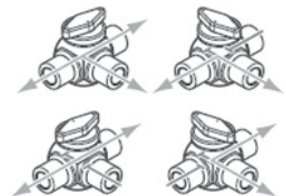


EM-Technik Wet Process Valves			
Size	Series 6 Ball Valve	3-Way Vert. Ball Valve, L-Bore, FKM O-Ring	
		FNPT	List Price
		Part Number	
1/4"	PP	841101570	71.00
1/4"	PVDF	841101560	115.00
1/4"	PFA	841101580	407.00
Discount Code			C

EM-Technik Wet Process Valves			
Size	Series 6 Ball Valve	3-Way Ball Valve, T-Bore, FKM O-Ring	
		FNPT, FKM O-Ring	List Price
		Part Number	
1/4"	PP	841101655	71.00
1/4"	PVDF	841101650	115.00
1/4"	PFA	841101690	407.00
1/2"	PP	841101665	124.00
1/2"	PVDF	841101660	441.00
1/2"	PFA	841101700	1038.00
Discount Code			C



3-Way Ball Valve T-Bore



EM-Technik Wet Process Valves			
Size	Series 6 Ball Valve	3-Way Ball Valve, L-Bore, FKM O-Ring	
		FNPT	List Price
		Part Number	
1/4"	PP	841101610	71.00
1/4"	PVDF	841101590	115.00
1/4"	PFA	841101630	407.00
1/2"	PP	841101620	124.00
1/2"	PVDF	841101600	441.00
1/2"	PFA	841101640	1038.00
Discount Code			C



3-Way Ball Valve L-Bore



EM-Technik Valves



**4-Way Ball Valve
Full-Bore**



**4-Way Ball Valve
Double L-Bore**



**5-Way Ball Valve
L-Bore**



**11-Way Ball Valve
L-Bore**

EM-Technik Valves

EM-Technik Wet Process Valves			
Size	Series 6 Ball Valve	4-Way Ball Valve, Full-Bore, FKM O-Ring	
		FNPT	
		Part Number	List Price
1/4"	PP	841104010	115.00
1/4"	PVDF	841104020	150.00
1/4"	PFA	841104030	527.00
1/2"	PP	841104040	288.00
1/2"	PVDF	841104050	461.00
1/2"	PFA	841104060	1092.00
Discount Code			C

EM-Technik Wet Process Valves			
Size	Series 6 Ball Valve	4-Way Ball Valve, Double L-Bore, FKM O-Ring	
		FNPT	
		Part Number	List Price
1/4"	PP	841104070	115.00
1/4"	PVDF	841104080	150.00
1/4"	PFA	841104090	527.00
1/2"	PP	841104100	288.00
1/2"	PVDF	841104110	461.00
1/2"	PFA	841104120	1092.00
Discount Code			C

EM-Technik Wet Process Valves			
Size	Series 6 Ball Valve	5-Way Ball Valve, L-Bore, FKM O-Ring	
		FNPT	
		Part Number	List Price
1/4"	PP	841104130	139.00
1/4"	PVDF	841104140	179.00
1/4"	PFA	841104150	633.00
Discount Code			C

EM-Technik Wet Process Valves			
Size	Series 6 Ball Valve	11-Way Ball Valve, L-Bore, FKM O-Ring	
		FNPT	
		Part Number	List Price
1/4"	PVDF	841104190	1725.00
1/4"	PTFE	841104200	1947.00
Discount Code			C

EM-Technik Wet Process Valves			
Size	Series 5 Needle Valve	Straight Needle Valve, FKM O-Ring	
		FNPT	List Price
		Part Number	
1/8"	PVDF	841003100	107.00
1/4"	PVDF	841003130	130.00
1/2"	PVDF	841003160	156.00
1/8"	PPN	841003110	63.00
1/4"	PPN	841003140	74.00
1/2"	PPN	841003170	94.00
1/8"	PFA	841003120	145.00
1/4"	PFA	841003150	203.00
1/2"	PFA	841003180	242.00
Discount Code			C



**Straight
Needle Valve**

EM-Technik Wet Process Valves			
Size	Series 5 Needle Valve	Angle Needle Valve, FKM O-Ring	
		FNPT	List Price
		Part Number	
1/8"	PVDF	841003190	113.00
1/4"	PVDF	841003220	145.00
1/2"	PVDF	841003250	181.00
1/8"	PPN	841003200	70.00
1/4"	PPN	841003230	88.00
1/2"	PPN	841003260	109.00
1/8"	PFA	841003210	173.00
1/4"	PFA	841003240	222.00
1/2"	PFA	841003270	269.00
Discount Code			C



**Angle
Needle Valve**

Compact !



**AD-16
Diaphragm Valve**

PVC AD-16 Air to Spring Normally Closed Diaphragm Valve						
Size	PVC AD-16 True Union	PTFE Diaphragm/EPDM Seals				
		IPS Socket	FNPT	List Price	Flanged	List Price
		Part Number	Part Number		Part Number	
1/2"	AD-16	841067005	841068005	353.00	841069005	366.00
3/4"	AD-16	841067007	841068007	379.00	841069007	397.00
1"	AD-16	841067010	841068010	403.00	841069010	432.00
1-1/2"	AD-16	841067015	841068015	624.00	841069015	664.00
2"	AD-16	841067020	841068020	837.00	841069020	912.00
Discount Code				A	A	

PVC AD-16 Air to Spring Normally Closed Diaphragm Valve						
Size	PVC AD-16 True Union	PTFE Diaphragm/FKM Seals				
		IPS Socket	FNPT	List Price	Flanged	List Price
		Part Number	Part Number		Part Number	
1/2"	AD-16	841070005	841071005	361.00	841072005	371.00
3/4"	AD-16	841070007	841071007	388.00	841072007	407.00
1"	AD-16	841070010	841071010	414.00	841072010	444.00
1-1/2"	AD-16	841070015	841071015	643.00	841072015	684.00
2"	AD-16	841070020	841071020	884.00	841072020	958.00
Discount Code				A	A	

PVC AD-16 Air to Air Diaphragm Valve						
Size	PVC AD-16 True Union	PTFE Diaphragm/EPDM Seals				
		IPS Socket	FNPT	List Price	Flanged	List Price
		Part Number	Part Number		Part Number	
1/2"	AD-16	841073005	841074005	338.00	841075005	349.00
3/4"	AD-16	841073007	841074007	353.00	841075007	370.00
1"	AD-16	841073010	841074010	375.00	841075010	404.00
1-1/2"	AD-16	841073015	841074015	569.00	841075015	609.00
2"	AD-16	841073020	841074020	723.00	841075020	799.00
Discount Code				A	A	

PVC AD-16 Air to Air Diaphragm Valve						
Size	PVC AD-16 True Union	PTFE Diaphragm/FKM Seals				
		IPS Socket	FNPT	List Price	Flanged	List Price
		Part Number	Part Number		Part Number	
1/2"	AD-16	841076005	841077005	345.00	841078005	357.00
3/4"	AD-16	841076007	841077007	364.00	841078007	381.00
1"	AD-16	841076010	841077010	387.00	841078010	417.00
1-1/2"	AD-16	841076015	841077015	587.00	841078015	628.00
2"	AD-16	841076020	841077020	769.00	841078020	845.00
Discount Code				A	A	

Dymatrix Valves



Certified to NSF/ANSI 61

NSF/ANSI Standard 61

NSF/ANSI Standard 61, adopted on October 7, 1988, covers indirect additives products and materials, including process media, protective materials, joining and sealing materials, pipes and related products, mechanical devices, and mechanical plumbing devices (including faucets). In essence, every material from the well or water intakes through to the faucet are covered.

NSF/ANSI Standard 61 addresses crucial aspects of drinking water system components: whether contaminants that leach or migrate from the product/material into the drinking water are above acceptable levels in finished waters.

The standard also covers products, components and materials. When a material is certified under Standard 61, its certification indicates use restrictions on parameters such as maximum use temperature or surface area to volume ratio when the material is used in a finished product. This option allows manufacturers using certified materials to bypass some or all chemical and microbiological testing when seeking certification, and assures that finished products meet all requirements.

The following Asahi/America, Inc. products comply with this directive:

Size	Type	Material
1/2" - 4"	Type-21 Ball Valve	PVC/EPDM/FKM
1/2" - 4"	Type-23 Multiport Ball Valve	PVC/EPDM/FKM
3/8" - 3"	Omni Ball Valve	PVC/EPDM
1/4"	Labcock	PVC/EPDM
1-1/2" - 14"	Type-57 Butterfly Valve	PVC/PP/EPDM
1/2" - 2"	True Union Ball Check	PVC/EPDM/FKM
3" - 4"	Single Union Ball Check	PVC/EPDM/FKM
1/2" - 4"	Sediment Strainer	PVC/EPDM/FKM
1-1/2" - 14"	Gate Valve (Type P)	PVC/PP/EPDM/FKM

The RoHS Directive, in effect July 1, 2006, applies to electrical and electronic equipment sold to the member nations of the European Union (EU). The intent of this Directive is to eliminate the following hazardous substances from electric/electronic equipment components.

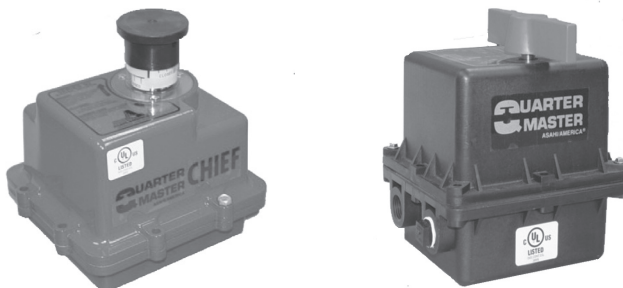
- Hg - Mercury, Cd - Cadmium, Pb - Lead, CrVI(Cr+6) - Hexavalent Chromium, PBDE - Polybrominated Diphenyl Ethers, PBB - Polybrominated Biphenyls



The following Asahi/America, Inc. products comply with this directive:

- Series 92, Series 94, Series 83 electric actuators**
- All Voltage Options**
- Extra Limit Switches**
- 2-Wire Control**
- Mechanical Brake**
- Heater and Thermostat**
- Cycle Length Control (CLC)**
- Center-Off**

Series 92 & Series 94
Electric Actuators are now UL-508 Approved.



Certifications

Numerical Order

Valve Options	
Double L (Type 23 Multiport)	2L
Triple L (Type 23 Multiport)	3L
AFLAS Seals	AFS
Clean & Bag	CB
One Piece Stem Exten. Carbon	E1
Two Piece Landfill Stem Exten. 316 SS	E10
One Piece Stem Exten. 304 SS	E2
One Piece Stem Exten. 316 SS	E3
Panel Mount 1/2" - 4"	E4
Butterfly Valve Panel Mount	E4
Two Piece Stem Exten. Carbon	E5
Two Piece Stem Exten. 304 SS	E6
Two Piece Stem Exten. 316 SS	E7
Two Piece Landfill Stem Exten. Carbon	E8
Two Piece Landfill Stem Exten. 304 SS	E9
1 PC Carbon Steel, Style BF-B	EB1
1 PC 304 Stainless Steel, Style BF-B	EB2
1 PC 316 Stainless Steel, Style BF-B	EB3
1 PC Carbon Steel, Style BF-C	EC1
1 PC 304 Stainless Steel, Style BF-C	EC2
1 PC 316 Stainless Steel, Style BF-C	EC3
EPDM Seat	EPT
External SS Spring (Swing Check)	EX
FKM Seat	FKM
Plastic Locking Device	G1
Spring Return Handle	G2
Chain Operator (Butterfly)	G3
Lever & Weight (Swing Check)	LW
Square Operating Nut	N1
T-Nut	N2
316 SS Stem (Butterfly)	S1
Hastelloy Stem (Butterfly)	S2
Titanium Stem (Butterfly)	S3
Stainless Valve Tag	T1
Plastic Valve Tag	T2
Paper Valve Tag	T3
PTFE Seat	TEF
T-Port (Type 23 Multiport)	TL
T-Wrench	TW
1/8" Vent Hole	V1
Wall/Floor Plate	WP
Wall Support	WS
Cross Port (Type 23 Multiport)	XL

Alphabetical Order

Valve Options	
1 PC 304 Stainless Steel, Style BF-B	EB2
1 PC 304 Stainless Steel, Style BF-C	EC2
1 PC 316 Stainless Steel, Style BF-B	EB3
1 PC 316 Stainless Steel, Style BF-C	EC3
1 PC Carbon Steel, Style BF-B	EB1
1 PC Carbon Steel, Style BF-C	EC1
1/8" Vent Hole	V1
316 SS Stem (Butterfly)	S1
AFLAS Seals	AFS
Butterfly Valve Panel Mount	E4
Chain Operator (Butterfly)	G3
Clean & Bag	CB
Cross Port (Type 23 Multiport)	XL
Double L (Type 23 Multiport)	2L
EPDM Seat	EPT
External SS Spring (Swing Check)	EX
FKM Seat	FKM
Hastelloy Stem (Butterfly)	S2
Lever & Weight (Swing Check)	LW
One Piece Stem Exten. 304 SS	E2
One Piece Stem Exten. 316 SS	E3
One Piece Stem Exten. Carbon	E1
Panel Mount 1/2" - 4"	E4
Paper Valve Tag	T3
Plastic Locking Device	G1
Plastic Valve Tag	T2
PTFE Seat	TEF
Spring Return Handle	G2
Square Operating Nut	N1
Stainless Valve Tag	T1
Titanium Stem (Butterfly)	S3
T-Nut	N2
T-Port (Type 23 Multiport)	TL
T-Wrench	TW
Triple L (Type 23 Multiport)	3L
Two Piece Landfill Stem Exten. 304 SS	E9
Two Piece Landfill Stem Exten. 316 SS	E10
Two Piece Landfill Stem Exten. Carbon	E8
Two Piece Stem Exten. 304 SS	E6
Two Piece Stem Exten. 316 SS	E7
Two Piece Stem Exten. Carbon	E5
Wall Support	WS
Wall/Floor Plate	WP

Numerical Order

Actuators Options	
RCS Sure-24 Failsafe	24
Series 83	83
Series 92	92
Series 94	94
115 VAC (83, 94, 92, 24)	115
220 VAC (83, 94, 92, 24)	220
12 VAC (83, 94, 92, 24)	12A
12 VDC (83, 94, 92, 24)	12D
24 VAC (83, 94, 92, 24)	24A
24 VDC (83, 94, 92, 24)	24D
2 Wire Control	2W
Series 92 Tandem	92T
0-10 VDC option for 4-20 kit	A5
Air-to-Air Std	AA
Air-to-Air Tandem	AAT
Air-to-Spring Closed Std	ASC
Air-to-Spring Closed Tandem	ASCT
AS-I Bus Option	ASI
Air-to-Spring Open Std	ASO
Air-to-Spring Open Tandem	ASOT
Mechanical Brake	BR
4-20mA Positioner	C1
4-20mA Output Transducer	C3
Cycle Length Control	CL
Center off	CO
Cam Stop	CS
Dec clutchable Manual Override	DC
DP Dual Feedback Potentiometer	DP
Filter & Regulator	FR
Prottek Failsafe Battery Pack	FS
P-Series NEMA 4X - 2-SPDT (Limit switch)	G5
NEMA 4X - 2-SPDT (Limit switch)	G6
NEMA 7 - 2-SPDT (Limit switch)	G7
Heater and Thermostat	HT
K-10 Positioner	K2
2 Position Indicating Lights	L2
Local Remote Station	LR
One Extra Limit Switch	M1
Double Extra Limit Switch	M2
2 Mechanical Switches	M2
2 Proximity Switches	M3
Feedback Potentiometer	P
P-10 Positioner	P1
NEMA 4X - Solenoid	W11A
NEMA 4X - Solenoid 12 VAC	W12A
NEMA 4X - Solenoid 12 VDC	W12D
NEMA 4X - Solenoid 220 VAC	W22A
NEMA 4X - Solenoid 24 VAC	W24A
NEMA 4X - Solenoid 24 VDC	W24D
NEMA 7 - Solenoid	X11A
NEMA 7 - Solenoid 12 VAC	X12A
NEMA 7 - Solenoid 12 VDC	X12D
NEMA 7 - Solenoid 220 VAC	X22A
NEMA 7 - Solenoid 24 VAC	X24A
NEMA 7 - Solenoid 24 VDC	X24D
One Extra Limit Switch	M1
P-10 Positioner	P1
Prottek Failsafe Battery Pack	FS
P-Series NEMA 4X - 2-SPDT (Limit switch)	G5
RCS Sure-24 Failsafe	24
Series 83	83
Series 92	92
Series 92 Tandem	92T
Series 94	94

Alphabetical Order

Actuators Options	
0-10 VDC option for 4-20 kit	A5
115 VAC (83, 94, 92, 24)	115
12 VAC (83, 94, 92, 24)	12A
12 VDC (83, 94, 92, 24)	12D
2 Mechanical Switches	M2
2 Position Indicating Lights	L2
2 Proximity Switches	M3
2 Wire Control	2W
220 VAC (83, 94, 92, 24)	220
24 VAC (83, 94, 92, 24)	24A
24 VDC (83, 94, 92, 24)	24D
4-20mA Output Transducer	C3
4-20mA Positioner	C1
Air-to-Air Std	AA
Air-to-Air Tandem	AAT
Air-to-Spring Closed Std	ASC
Air-to-Spring Closed Tandem	ASCT
Air-to-Spring Open Std	ASO
Air-to-Spring Open Tandem	ASOT
AS-I Bus Option	ASI
Cam Stop	CS
Center off	CO
Cycle Length Control	CL
Dec clutchable Manual Override	DC
Double Extra Limit Switch	M2
DP Dual Feedback Potentiometer	DP
Feedback Potentiometer	P
Filter & Regulator	FR
Heater and Thermostat	HT
K-10 Positioner	K2
Local Remote Station	LR
Mechanical Brake	BR
NEMA 4X - 2-SPDT (Limit switch)	G6
NEMA 4X - Solenoid	W11A
NEMA 4X - Solenoid 12 VAC	W12A
NEMA 4X - Solenoid 12 VDC	W12D
NEMA 4X - Solenoid 220 VAC	W22A
NEMA 4X - Solenoid 24 VAC	W24A
NEMA 4X - Solenoid 24 VDC	W24D
NEMA 7 - 2-SPDT (Limit switch)	G7
NEMA 7 - Solenoid	X11A
NEMA 7 - Solenoid 12 VAC	X12A
NEMA 7 - Solenoid 12 VDC	X12D
NEMA 7 - Solenoid 220 VAC	X22A
NEMA 7 - Solenoid 24 VAC	X24A
NEMA 7 - Solenoid 24 VDC	X24D
One Extra Limit Switch	M1
P-10 Positioner	P1
Prottek Failsafe Battery Pack	FS
P-Series NEMA 4X - 2-SPDT (Limit switch)	G5
RCS Sure-24 Failsafe	24
Series 83	83
Series 92	92
Series 92 Tandem	92T
Series 94	94

Standard Freight Policy Valves, Pipe, Fittings, & Equipment

Freight will be allowed on the following orders:

1. \$ 2,000.00 Net or greater for valves.*
2. \$ 5,000.00 Net or greater for single wall pipe and fittings.

* Combined orders of valves and pipe must meet requirements of pipe orders to qualify for freight allowed.

Freight will be allowed on the following orders for Alaska, Hawaii, and Puerto Rico:

1. \$ 3,000.00 Net or greater for valves.
2. \$ 25,000.00 Net or greater for single wall pipe and fittings.

The following shipments are NOT freight allowed:

1. International orders
2. All HDPE products excluding Air-Pro and Chem Proline
3. Rental machines
4. Prefabricated pipe spools
5. EM-Technik products
6. Dymatrix specialty valves
7. Polytetra heat exchangers & heaters
8. Pro-Lock piping
9. Dual wall pipe and fitting orders

NOTES:

- All truck shipments are via common carrier and are to be selected by Asahi/America, Inc.
- Selection of alternate carriers is negotiable between Distributors and Asahi/America, Inc.
- Freight charges for expedited portions of freight allowed shipments are the responsibility of the distributor.
- Freight charges on freight allowed backorders will be paid by Asahi/America, Inc.
- Freight for add-ons and releases will not be allowed.
- Returns of rental equipment must be prepaid.
- Freight will not be allowed on oversized loads, spools, double lengths of pipe, etc.
- International orders must include contact name, telephone or fax number, and international freight account number.

Terms and Conditions

Shipments: Asahi/America will not be liable for any delay in performance of orders or contracts, or in delivery of shipment of goods, or for any damage suffered by buyer by reason of such delay performance, when such delay is directly or indirectly caused by acts of God, war, labor difficulties, shortage of materials, or supplies beyond its control. Asahi/America reserves the right to discontinue products and make changes in products offered at any time.

Claims: All claims must be made in writing and received by Asahi/America within 10 days after receipt of merchandise. If a shipment is received in damaged condition, a claim must be filed with the delivering carrier and noted on the freight bill before you accept the merchandise.

Returns and Cancellations: Refer to our policy on next page.

Terms: 2% 15 days. Net 30 days. An interest charge of 1-1/2% percent per month (an annual rate of 18%) will be charged in states where legal on the unpaid balance owed together with cost of collection including reasonable attorney's costs.

Minimum Billing Charge: Asahi/America will charge a \$75.00 net minimum order requirement on all orders. Any tax or duty imposed by any government will be added to the sales price.

Return Merchandise Policy

EFFECTIVE 02/01/04

Asahi/America, Inc., (A/A) will authorize the return of product providing guidelines are adhered to as follows.

Canceled Orders

A/A will accept the cancellation of Purchase Orders (PO) with no restocking charges under the following conditions:

- A/A has not started production of manufactured products.
- A/A has not placed a purchase order to our vendors for non-stock product or custom product.
- A/A has not already, picked, packaged and or shipped the product.

Cancellation of orders that do not meet the above conditions may be approved under special consideration and will be subject to a minimum 30% restocking charge, or cancellation charge.

Authorized Returns

A/A will authorize the return of product with a minimum 30% restocking charge under the following conditions.

- Product must have been purchased within the last six months.
- Product must be considered stock item by A/A.
- Product must be in resellable condition.
- Pipe is non-returnable, machined items are non-returnable

Product Evaluations

A/A will authorize the return of product for evaluation upon completion of the RMA form. (See enclosure)

- A/A, upon completion of the evaluation, will repair, replace, or issue a credit for the defective product if it is determined that the cause of failure is the responsibility of A/A. A/A retains the sole right to determine the correct course of action.
- A/A will notify the customer if it is determined that the cause of failure is due to normal wear and tear after the expiration of the warranty, misapplication, or improper use. In the event that the failure is not the responsibility of A/A the customer is to determine the corrective action that will be taken. A/A will not proceed with a repair or replacement until a purchase order is supplied by the customer. The purchase order must cover all expenses incurred by A/A.

Freight

Customer is responsible for all freight costs associated with a return that is not directly attributed to an A/A error or product failure covered under warranty. All returns must be sent prepaid; any collect shipments will be refused and returned to the Customer.

- A/A will be responsible for all standard freight costs for product evaluations where it is determined that the cause of failure is the responsibility of A/A.

Return Merchandise Policy (continued)

Procedures

A/A will process all RMAs within four (4) weeks of receipt of the product providing the following procedures were followed. Please note; A/A is not responsible for any product that is shipped to our facilities without a completed RMA form. **A/A will not process returns that are not accompanied by an authorized RMA number, and product may be returned to the Customer at the customer's expense.**

All correspondence must be made directly to our RMA department.

Telephone Numbers: 1-800-343-3618 ext. 4543

1-781-388-4543

Fax Number 1-781-388-4777

E-mail RMA@Asahi-America.com

RMA form must be filled out with all relevant information and forwarded to A/A's RMA department. The form must include the following minimum information:

- Original PO #, Original Invoice #, Original Order #.
- Supply itemized list of proposed return with A/A part numbers.
- Specify reason for return.

Upon successful completion of the RMA form and preliminary review, A/A will assign an RMA number and forward to the customer. A/A may elect to inspect product on site prior to issuing an RMA number.

Customer must properly package the product. The RMA number must be visible on all packages and indicated on the packing list, and arrange shipment of the product to A/A.

Customer must insure that product is returned in resellable condition in original packaging excluding product that is returned for repair or evaluation.

Customer must insure that all product has been decontaminated and does not present a health or safety problem to anyone that handles it.

A/A will notify customer of any discrepancies with regards to quantity and/or quality of the returned product.

A/A will process credit upon completion of a successful inspection of the returned product.

Product returned for evaluation will follow the above guidelines with the following exception.

A resolution to the evaluation must be agreed upon prior to the repair/replacement/credit of the product. The customer will have a two-week period to act upon A/A's resolution to the evaluation. A/A will return the product to the customer at the customer's expense, if no response is forwarded within this time frame. The customer, prior to the completion of the repair, must place a purchase order if it is determined that the failure is proven not to be the responsibility of A/A.

A/A will provide a full report of product returned for evaluation upon written request.

Lost/Damaged Shipments

Damaged shipments and shortages must be signed and acknowledged by the carrier's driver. All claims for lost or damaged shipments must be made directly by the customer to the delivering carrier at time of delivery.

A/A's Customer Service Department must be notified in writing within 10 days of receipt of orders that appear to be short shipped by our shipping department. A/A will validate this claim through weight calculations and other means available. Customer's requests for proof of delivery by A/A must be made within 30 days of receipt of invoice. After 30 days, the product will be considered as delivered.

TERMS AND CONDITIONS

1. Asahi/America, Inc. ("Asahi") hereby gives notice of its objection to any different or additional terms and conditions except for any such items and conditions as may be expressly accepted by it in writing. The terms and conditions herein are the final expression of the parties' agreement and shall supersede any provisions, terms and conditions contained on any confirmation order or other writing buyer may give or receive and rights of the parties shall be governed exclusively by the terms and conditions hereof.
2. Buyer's confirmation is accepted for merchandise selection purpose only. All orders are subject to acceptance by Asahi at its Malden, Massachusetts office and Asahi reserves the right to reject any order in whole or in part without incurring any liability to buyer or any branch or division thereof for such order as may be rejected. Asahi shall have the right at its discretion to limit any credit to be extended hereunder or to require payment before delivery. In the event Asahi should be unable to manufacture or decide not to manufacture any product ordered, Asahi shall notify the buyer, but shall not be liable for any non-delivery of such merchandise. Buyer shall, however, accept delivery and pay for all other merchandise that is included on that order.
3. An order once placed with and accepted by Asahi cannot be cancelled or modified by buyer without Asahi's written consent which, if granted, will be subject to terms that will indemnify Asahi against loss.
4. Asahi does not accept in-store completion dates and cancellation dates will not be accepted on made-to-order product once the order has been put into production.
5. Asahi orders (once accepted) may have backorders when necessary. Backorders are not subject to cancellation by buyer unless 30 days past scheduled delivery date.
6. Delivery shall occur and risk of loss shall pass upon delivery of the merchandise sold hereunder to the carrier. Asahi will use buyer's routing guide or instructions after approval from Asahi's Traffic Department. All customers routings are F.O.B. shipping point. Asahi generates one invoice per shipment and does not include invoices with shipment.
7. The buyer agrees that no shipment from Asahi will be returned from a carrier unless damage or shortages are acknowledged and signed by the carrier's driver. All claims for lost or damaged shipments must be made directly by buyer to the delivering carrier at time of delivery. Shortages due to packing errors must be reported in writing within 10 days of receipt to Asahi's Customer Service Department. Adjustments can be made only if reported to Asahi in writing within that time. Buyer's requests for proof of delivery by Asahi must be made within 30 days of receipt of invoice. After 30 days, the merchandise will be considered as delivered.
8. Written approval from Asahi must be obtained before returning any merchandise of any quantity. Approval will be granted only to return unused, resalable merchandise shipped as a result of Asahi error. Upon approval by Asahi, merchandise must be returned within 30 days. All returns must be sent prepaid with return authorization numbers visible on the outside carton. Returns not carrying return authorization numbers will be refused delivery by Asahi and returned to sender at senders expense.
9. Buyer agrees that it will not impose upon Asahi any handling, service or any other charges of that nature whatsoever.
10. Asahi will not be liable for any delay in performance of orders or contracts, or in delivery or shipment of goods, or for any damage suffered by buyer by reason of such delay in performance of orders or contracts, or in delivery or shipment of goods, or for any damage suffered by buyer by reason of such delay, when such delay is directly or indirectly caused by or in any manner arises from fire, flood, accident, riot, act of God, war, governmental interference or embargoes, strikes, labor difficulties, shortage of labor, fuel, power, materials, or supplies, transportation delays or any other cause or causes (whether or not similar in nature to any of these hereinbefore specified) beyond its control. Asahi reserves the right to discontinue product lines and make changes in products offered at any time.
11. Asahi products are intended to be sold in buyer's outlet(s) as addressed on this order. All branches must be separately approved. Transshipping of merchandise to approved branches of an approved account may not take place without the written approval of Asahi.
12. Asahi warrants only that the goods described on the face of the purchase order conform to Asahi's customary quality standards for such goods. Otherwise ASAHI MAKES NO WARRANTIES, EXPRESS OR IMPLIED, WHICH EXTEND BEYOND THE DESCRIPTION ON THE FACE OF THE ORDER. Without limiting the generality of the foregoing, ASAHI SPECIFICALLY EXCLUDES AND DISCLAIMS ANY IMPLIED WARRANTY OF MERCHANTABILITY OR FITNESS FOR A PARTICULAR PURPOSE, APPLICATION OR USE AND ANY IMPLIED WARRANTY AGAINST CLAIMS BY THIRD PARTIES FOR INFRINGEMENT AND THE LIKE. This warranty constitutes the only warranty given, superseding all prior or contemporaneous oral or written representations. No Seller, employee or any other person is authorized to modify this warranty or make any warranty in addition to those set forth herein.
13. ASAHI FURTHER MAKES NO WARRANTIES, EITHER EXPRESSED, IMPLIED OR STATUTORY, INCLUDING ANY IMPLIED WARRANTY OF MERCHANTABILITY OR FITNESS FOR A PARTICULAR PURPOSE, APPLICATION OR USE AND ANY IMPLIED WARRANTY AGAINST CLAIMS BY THIRD PARTIES FOR INFRINGEMENT AND THE LIKE FOR PRODUCTS ORDERED TO CUSTOM SPECIFICATIONS BY THE BUYER, THAT ARE EXPERIMENTAL, DEVELOPMENTAL OR PROTOTYPE PRODUCTS.
14. Buyer's remedies in the event of any breach by Asahi shall be exclusively limited to the return of the goods and repayment of the price. These remedies are the purchaser's exclusive remedies for breach of warranty. In no event shall buyer be entitled to claim any special, incidental, punitive or consequential damages of any nature, including, but not limited to, loss of anticipated profits and injury to persons or property. Provided further, Seller shall not be responsible for any warranty for its products integrated into systems designed or specified by third parties without the specific written authority of the Seller.
15. Payment terms shall be as set forth on the face of Asahi's invoice to buyer. Terms adjustment will be made upon request of buyer only if shipment is made more than 7 days in advance of buyer's requested ship date. Discounts will not be allowed on late payments. Discounts are applicable on merchandise only and not on freight or service charges. An interest charge of 1 1/2% percent per month (an annual rate of 18%) will be charged in states where legal on the unpaid balance owed together with cost of collection including reasonable attorney's costs. Asahi will charge a \$75.00 minimal order requirement on all orders. Any tax or duty imposed by any government will be added to the sales price.
16. Any waiver of any of these terms of sale by Asahi shall not be construed to be a waiver of the terms and conditions hereof as applied to subsequent transactions.
17. Any controversy or claim arising out of or relating to this agreement or that breach thereof shall be governed by the laws of the Commonwealth of Massachusetts. Any action or suit must be commenced within one year following delivery of the goods.

Note: Current Terms and Conditions may be found online at the following address

<http://asahi-america.com/support/warranty-policy>

Another Corrosion Problem Solved.TM



Tel: 800-343-3618; 781-321-5409

**Direct Sales: East (800) 232-7244
Central (800) 442-7244
West (800) 282-7244
Fax: 800-426-7058**

**www.asahi-america.com
asahi@asahi-america.com**
